



Chipsmall Limited consists of a professional team with an average of over 10 year of expertise in the distribution of electronic components. Based in Hongkong, we have already established firm and mutual-benefit business relationships with customers from,Europe,America and south Asia,supplying obsolete and hard-to-find components to meet their specific needs.

With the principle of “Quality Parts,Customers Priority,Honest Operation,and Considerate Service”,our business mainly focus on the distribution of electronic components. Line cards we deal with include Microchip,ALPS,ROHM,Xilinx,Pulse,ON,Everlight and Freescale. Main products comprise IC,Modules,Potentiometer,IC Socket,Relay,Connector.Our parts cover such applications as commercial,industrial, and automotives areas.

We are looking forward to setting up business relationship with you and hope to provide you with the best service and solution. Let us make a better world for our industry!



Contact us

Tel: +86-755-8981 8866 Fax: +86-755-8427 6832

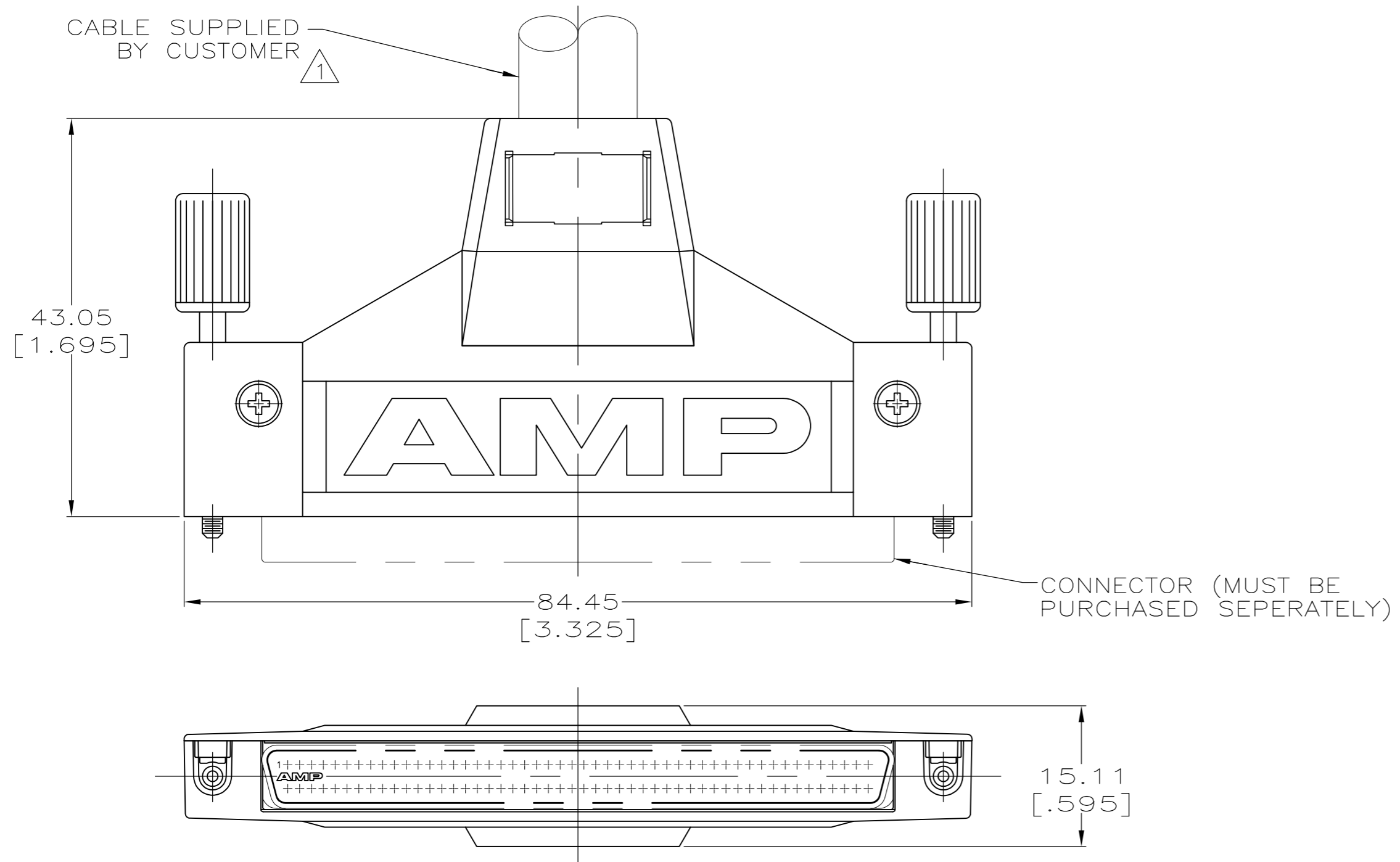
Email & Skype: info@chipsmall.com Web: www.chipsmall.com

Address: A1208, Overseas Decoration Building, #122 Zhenhua RD., Futian, Shenzhen, China

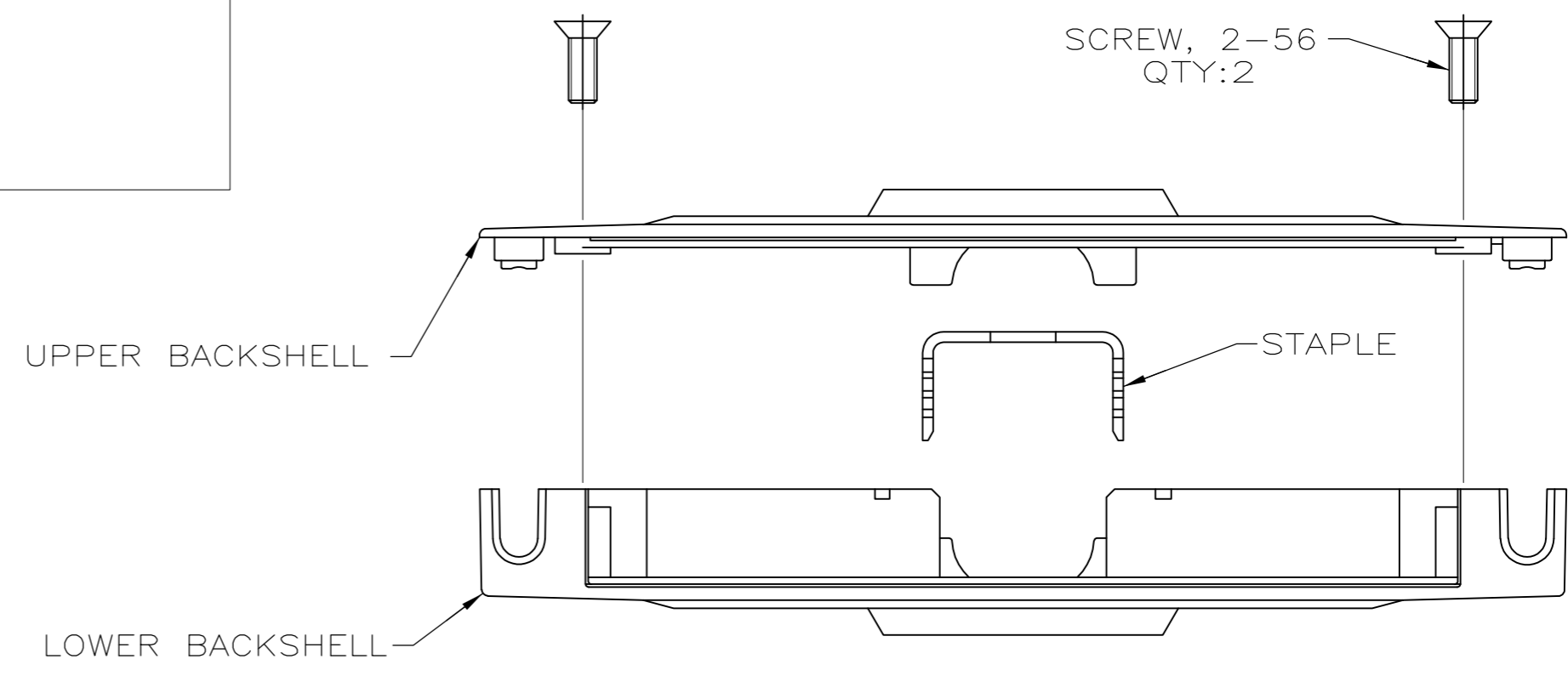
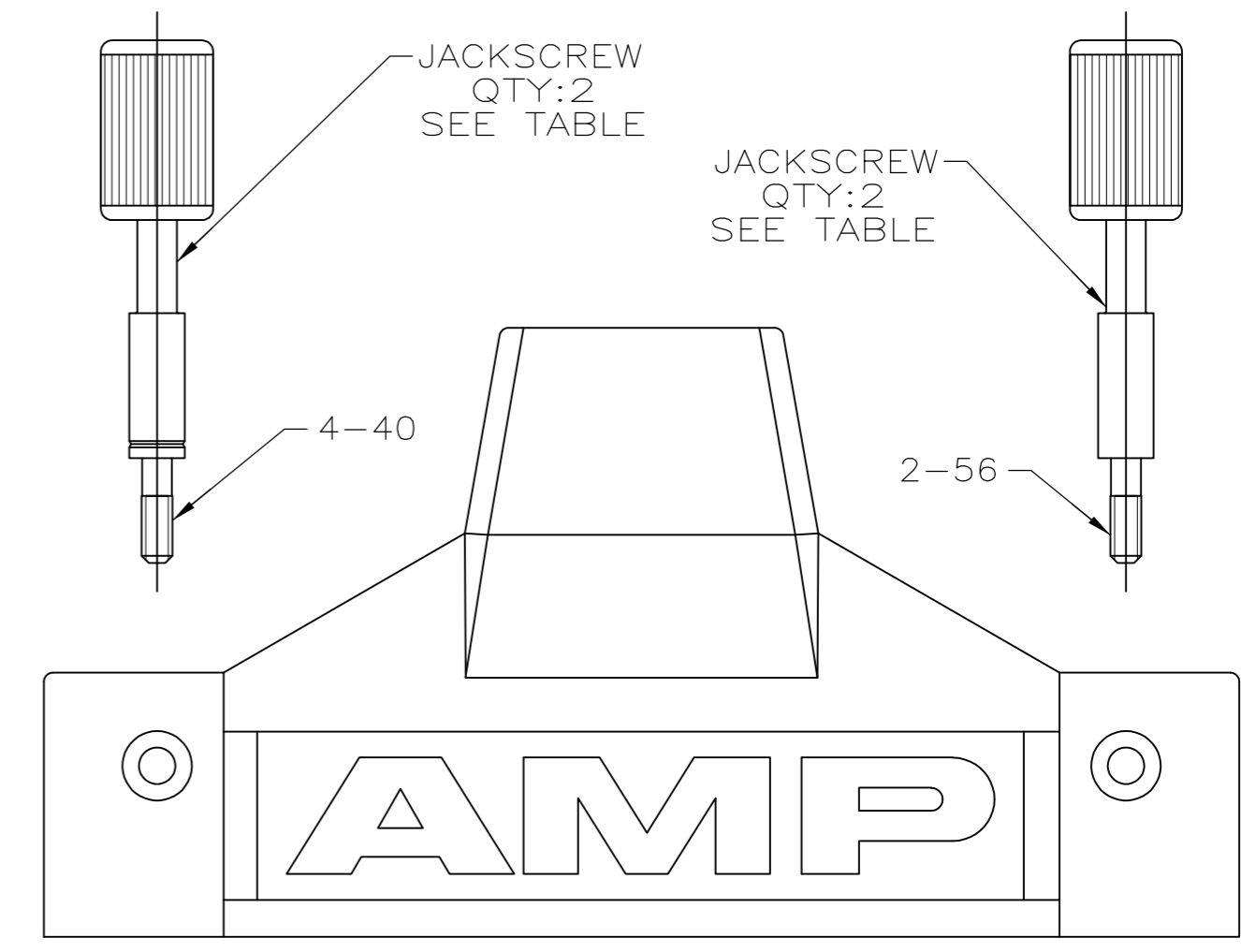


THIS DRAWING IS UNPUBLISHED. RELEASED FOR PUBLICATION
 © COPYRIGHT - By - ALL RIGHTS RESERVED.

LOC	DIST	REVISIONS			
P	LTR	DESCRIPTION	DATE	DWN	APVD
GP	00				
	F	REVISED PER ECO-11-012218	14JUL2011	CJV	SLB



ASSEMBLED VIEW



- 1 12.70[.500] MAX CABLE DIA.
- 2 BACKSHELLS: ZINC PER ASTM AG40A, UNS Z33521.
- 3 BACKSHELLS: NICKEL PLATED.
- 4 STAPLE, JACKSCREW BODY: STEEL PER ASTM A109.
- 5 STAPLE: BRIGHT TIN-LEAD PLATED.
- 6 JACKSCREW HEAD: POLYPROPYLENE OR NYLON, UL94V-0 RATED, BLACK.
- 7 JACKSCREWS: BLACK ZINC PLATED.
- 8 STAPLE: BRIGHT TIN PLATED.
- 9 SCREWS: STAINLESS STEEL.

SUPERSEDED BY 5749081-1	2-56	8	749081-3
OBSOLETE	4-40	5	749081-2
	2-56	5	749081-1
	JACKSCREW THREAD	STAPLE FINISH	PART NO

THIS DRAWING IS A CONTROLLED DOCUMENT.		DWN	JACK ROOT	11-23-88		TE Connectivity		
DIMENSIONS: mm [INCHES]		CHK	M.WATERS	12-01-88		INDIVIDUAL KIT, BACKSHELLS WITH MALE JACKSCREWS, 100 POSITION AMPLIMITE .050 SERIES		
TOLERANCES UNLESS OTHERWISE SPECIFIED:		APVD	-	-		SIZE	CAGE CODE	DRAWING NO
0 PLC ± -		PRODUCT SPEC	-	-		A2	00779	C=749081
1 PLC ± -		APPLICATION SPEC	-	-	SCALE	SHEET	REV	
2 PLC ± 0.38 [.015]		WEIGHT	-	-	2:1	1 of 1	F	
3 PLC ± -		CUSTOMER DRAWING						
4 PLC ± -								
ANGLES ± -								
FINISH								
2 4 6 9								
3 5 7 8								