



Chipsmall Limited consists of a professional team with an average of over 10 year of expertise in the distribution of electronic components. Based in Hongkong, we have already established firm and mutual-benefit business relationships with customers from,Europe,America and south Asia,supplying obsolete and hard-to-find components to meet their specific needs.

With the principle of “Quality Parts,Customers Priority,Honest Operation,and Considerate Service”,our business mainly focus on the distribution of electronic components. Line cards we deal with include Microchip,ALPS,ROHM,Xilinx,Pulse,ON,Everlight and Freescale. Main products comprise IC,Modules,Potentiometer,IC Socket,Relay,Connector.Our parts cover such applications as commercial,industrial, and automotives areas.

We are looking forward to setting up business relationship with you and hope to provide you with the best service and solution. Let us make a better world for our industry!



## Contact us

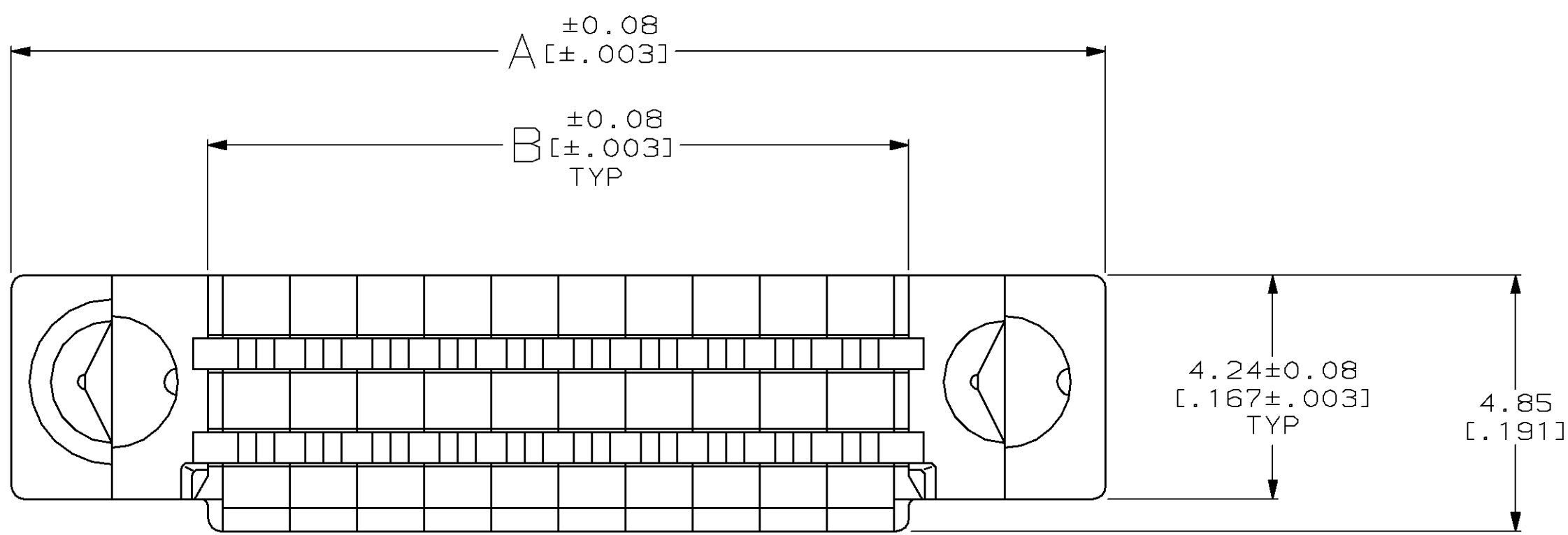
Tel: +86-755-8981 8866 Fax: +86-755-8427 6832

Email & Skype: info@chipsmall.com Web: www.chipsmall.com

Address: A1208, Overseas Decoration Building, #122 Zhenhua RD., Futian, Shenzhen, China

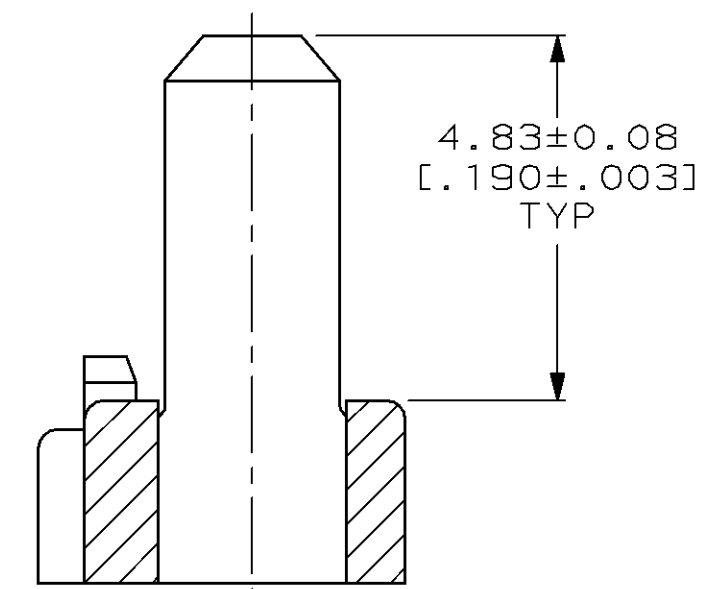
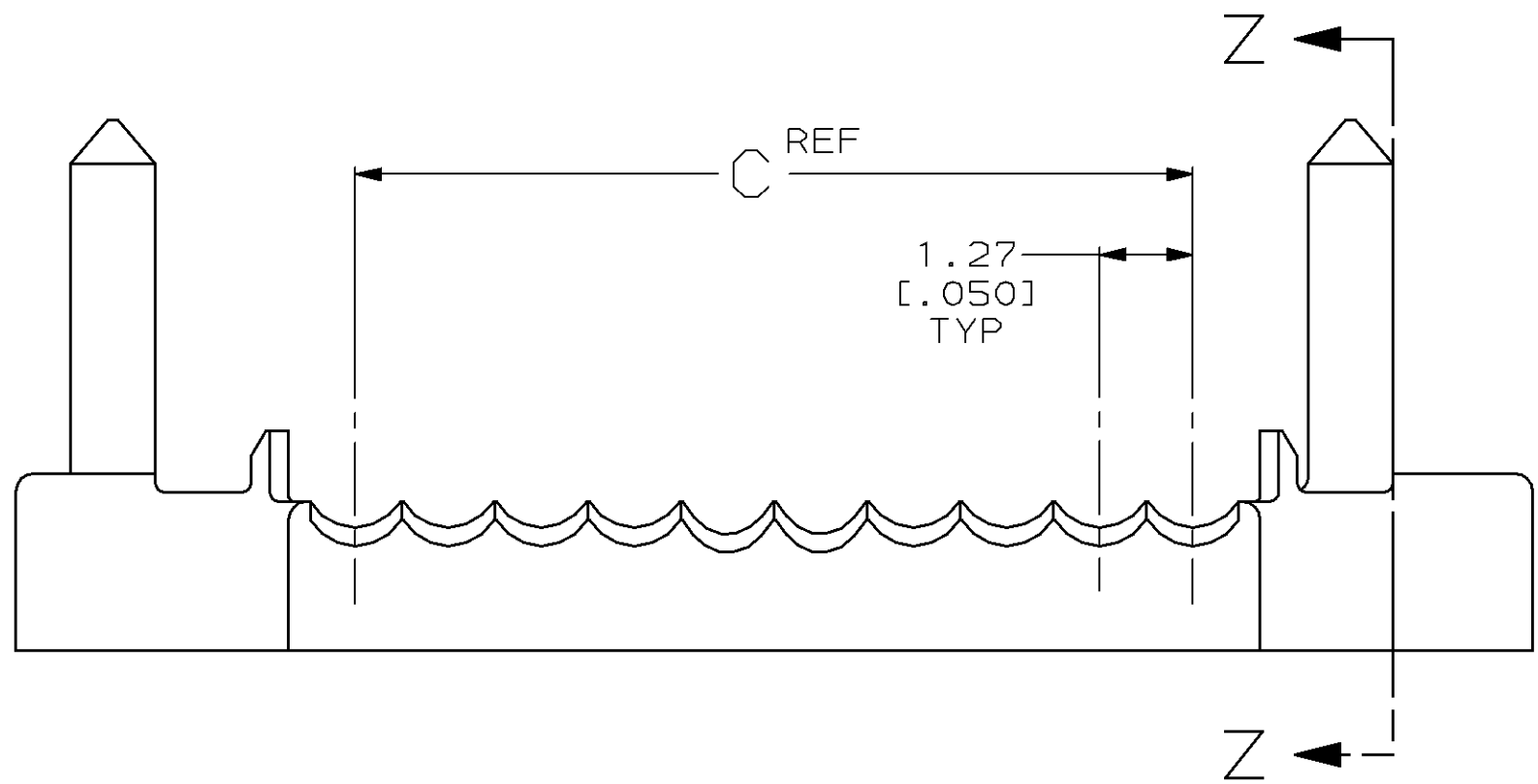


LOC		DIST		REVISIONS				
P	F	ZONE	LTR	DESCRIPTION	DATE	APPD		
BD	95			0	RELEASED TO CUST	10/19/93	-	
				A	REV PER EC 0020-829-95	10 MAY 96	RM	

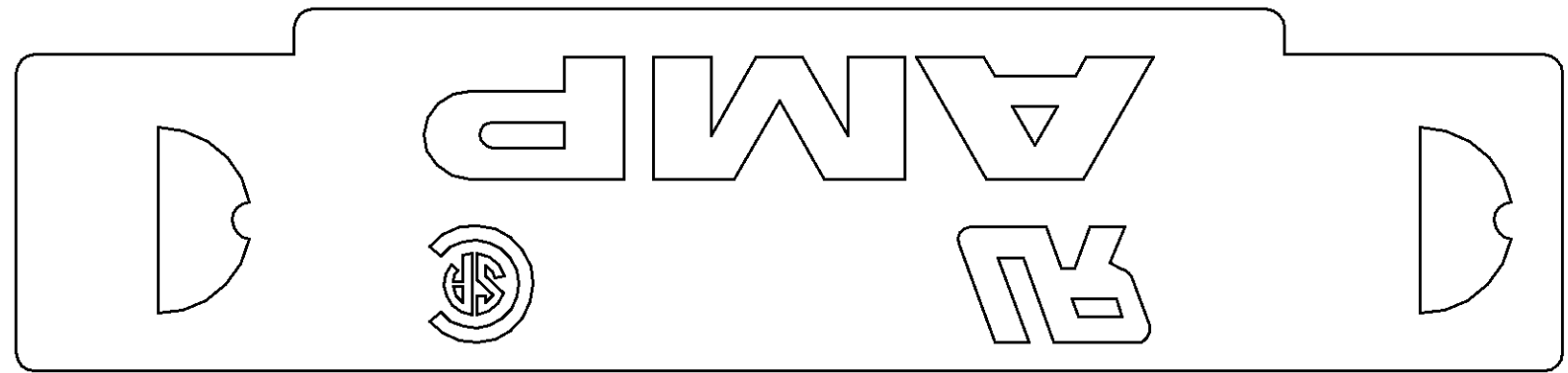


4.24±0.08  
[.167±.003]  
TYP

4.85  
[.191]



SECTION Z-Z



21.59 [.850]	23.42 [.922]	30.86 [1.215]	36	1-749108-1
15.24 [.600]	17.07 [.672]	24.51 [.965]	26	1-749108-0
74.93 [2.950]	76.76 [3.022]	84.20 [3.315]	120	749108-9
62.23 [2.450]	64.06 [2.522]	71.50 [2.815]	100	749108-8
49.53 [1.950]	51.36 [2.022]	58.80 [2.315]	80	749108-7
41.91 [1.650]	43.74 [1.722]	51.18 [2.015]	68	749108-6
36.83 [1.450]	38.66 [1.522]	46.10 [1.815]	60	749108-5
30.48 [1.200]	32.31 [1.272]	39.75 [1.565]	50	749108-4
24.13 [.950]	25.96 [1.022]	33.40 [1.315]	40	749108-3
16.51 [.650]	18.34 [.722]	25.78 [1.015]	28	749108-2
11.43 [.450]	13.26 [.522]	20.70 [.815]	20	749108-1
C	B	A	NO OF POSN	PART NUMBER

- 1 POLYESTER, UL 94V-0 RATED, BLACK.
2. RECOMMENED WIRE: 28 OR 30 AWG SOLID OR 7 STRAIN, 0.74- 0.91 [.029- .036] INSULATION DIAMETER. WIRE MUST BE APPROVED BY AMP INC.
3. TWO COVERS REQUIRED PER CONNECTOR ASSEMBLY.

THIS DRAWING IS A CONTROLLED DOCUMENT FOR AMP INCORPORATED. IT IS SUBJECT TO CHANGE AND THE CONTROLLING ENGINEERING ORGANIZATION SHOULD BE CONTACTED FOR THE LATEST REVISION.

DO NOT SCALE PRINT. UNLESS SPECIFIED DIMENSIONS IN mm [INCHES] TOLERANCES ON : 2 PLC DEC ±0.13 [.005] 3 PLC DEC ± - ANGLES ± -	DR 10/19/93 C.OBERMAN	AMP Incorporated Harrisburg, PA 17105-3608		
MATERIAL	CHK 10-19-93 R.STONE			
FINISH -	APPD 12-6-93 R.MIKLINSKI	NAME		
	APPD 12-6-93 R.MIKLINSKI	TERMINATING COVER, AMPLIMITE™ .050 SERIES		
PRODUCT SPEC 108-1228	APPLICATION SPEC 114-40029	SIZE C	CAGE CODE 00779	DRAWING NO C=749108
WEIGHT -	SCALE 10:1	SHEET 1 OF 1		