



Chipsmall Limited consists of a professional team with an average of over 10 year of expertise in the distribution of electronic components. Based in Hongkong, we have already established firm and mutual-benefit business relationships with customers from,Europe,America and south Asia,supplying obsolete and hard-to-find components to meet their specific needs.

With the principle of "Quality Parts,Customers Priority,Honest Operation,and Considerate Service",our business mainly focus on the distribution of electronic components. Line cards we deal with include Microchip,ALPS,ROHM,Xilinx,Pulse,ON,Everlight and Freescale. Main products comprise IC,Modules,Potentiometer,IC Socket,Relay,Connector.Our parts cover such applications as commercial,industrial, and automotives areas.

We are looking forward to setting up business relationship with you and hope to provide you with the best service and solution. Let us make a better world for our industry!



## Contact us

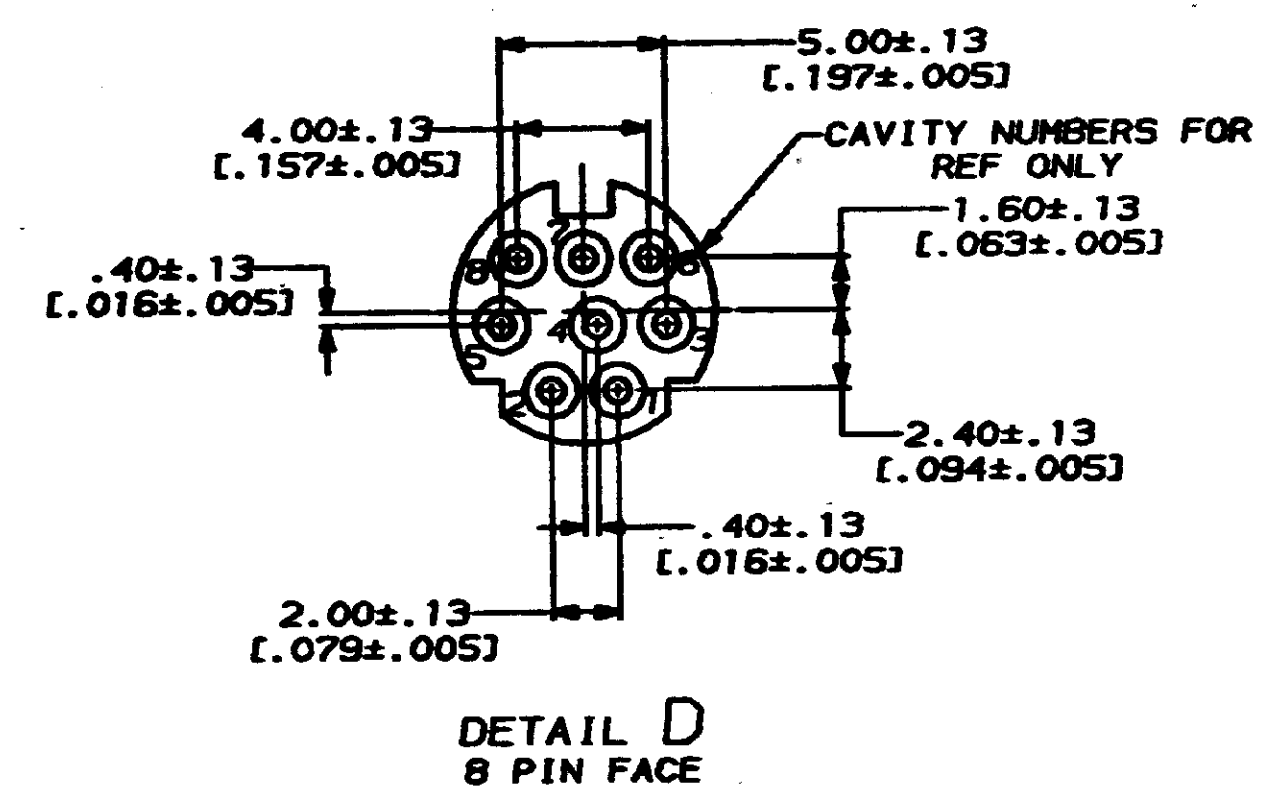
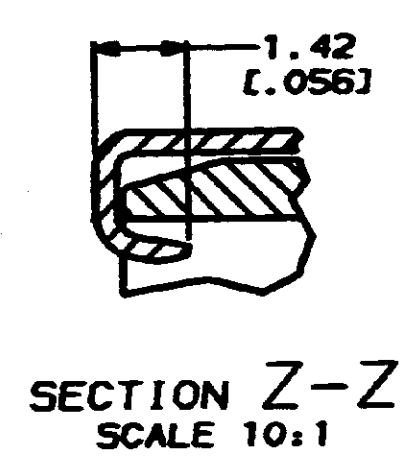
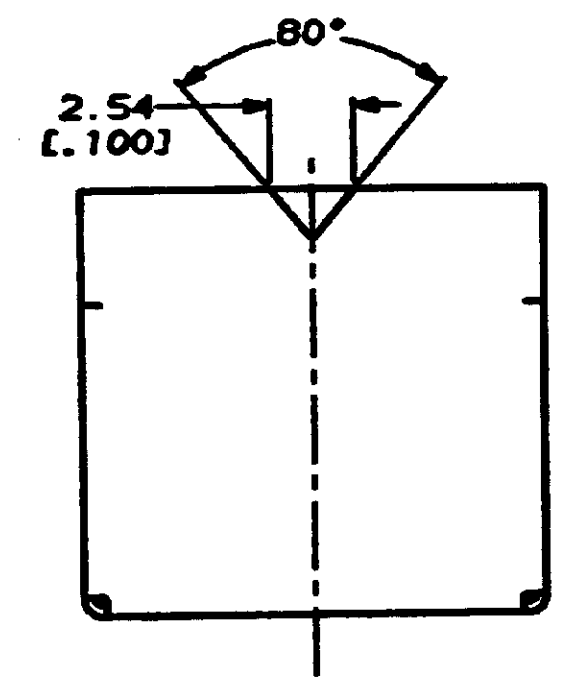
Tel: +86-755-8981 8866 Fax: +86-755-8427 6832

Email & Skype: info@chipsmall.com Web: www.chipsmall.com

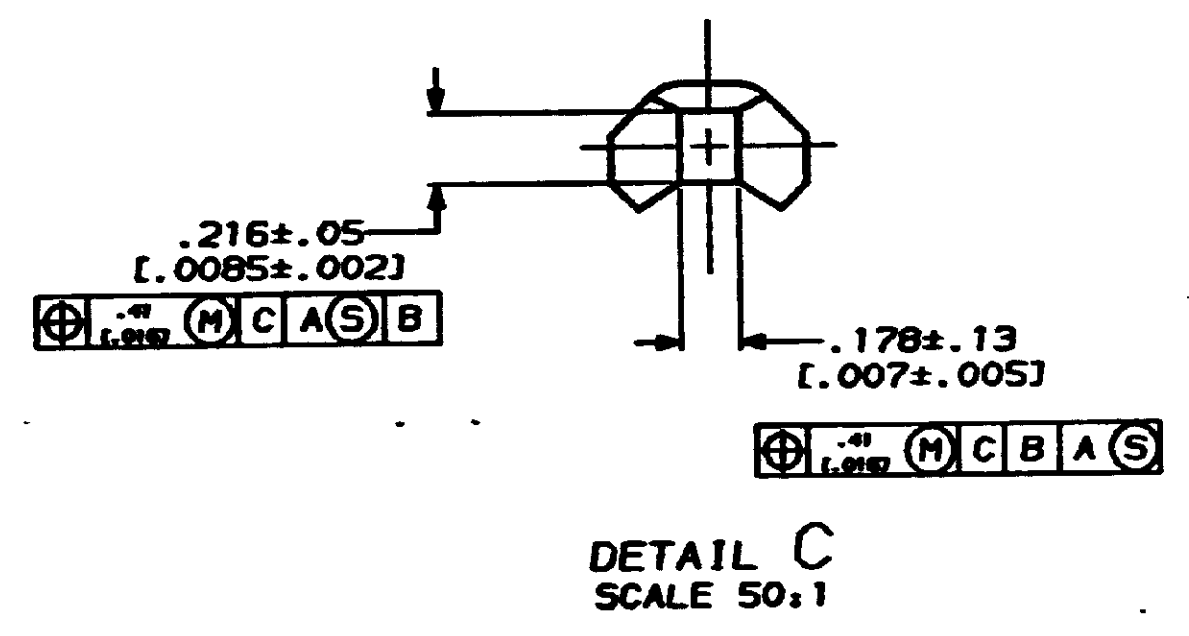
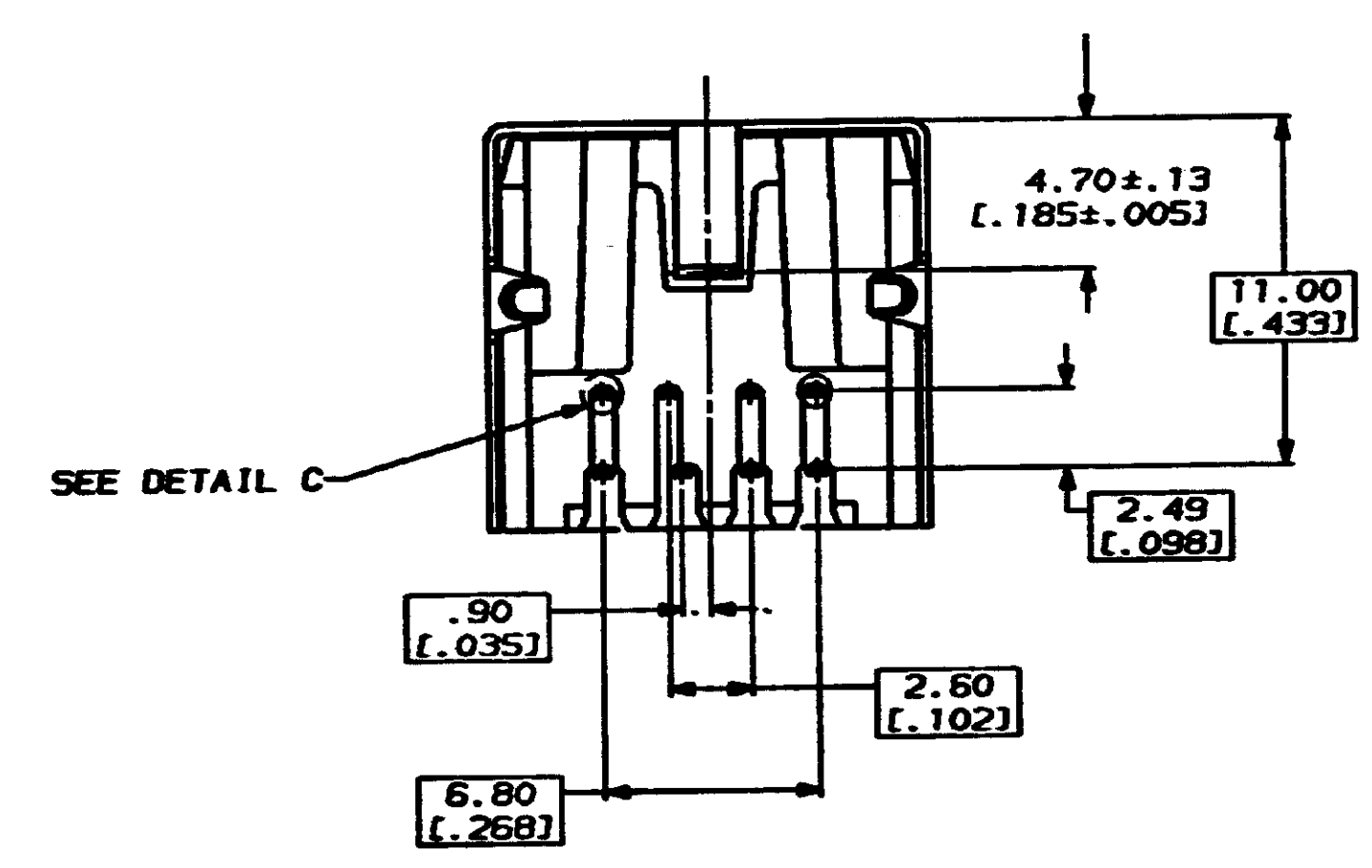
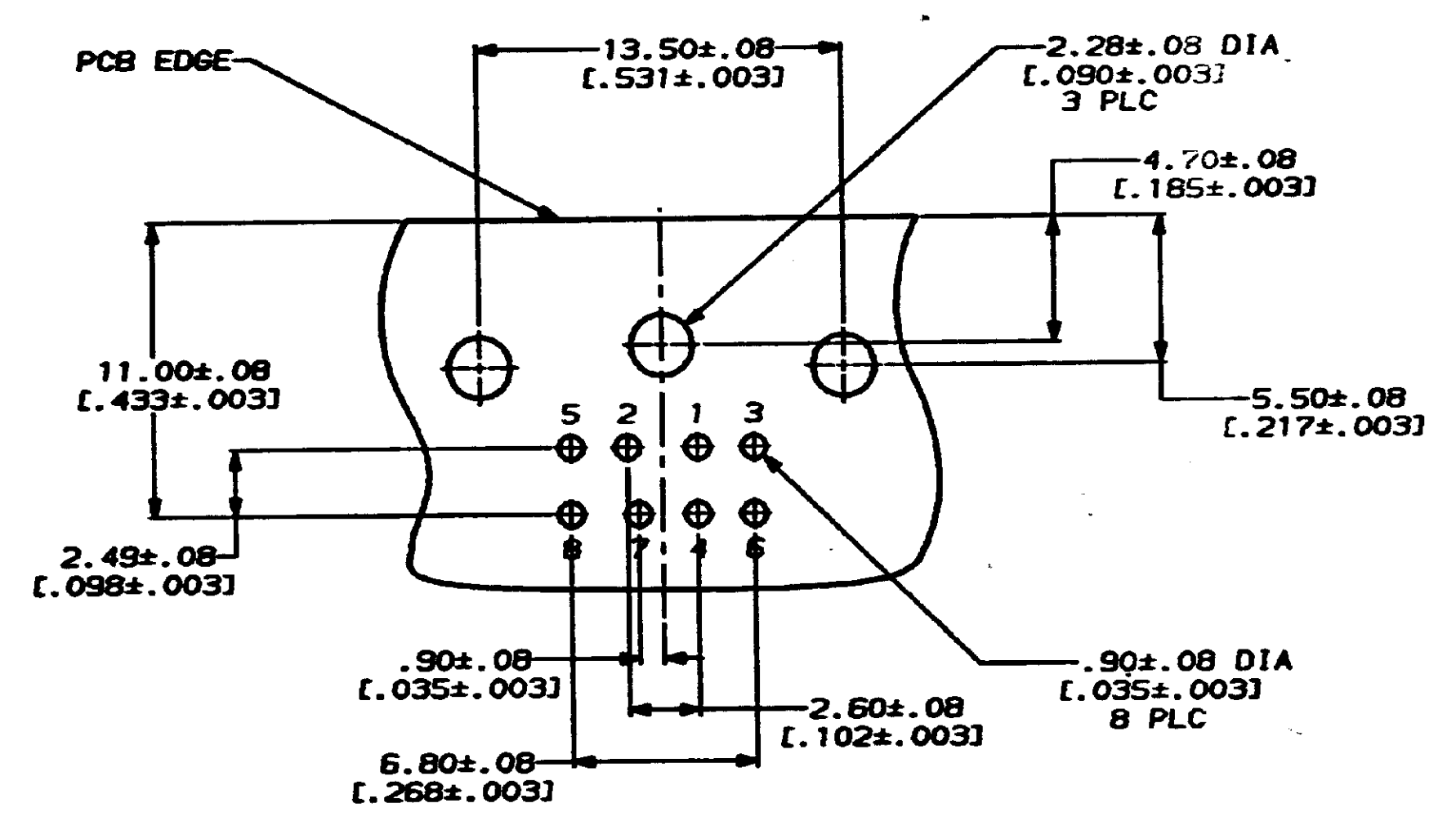
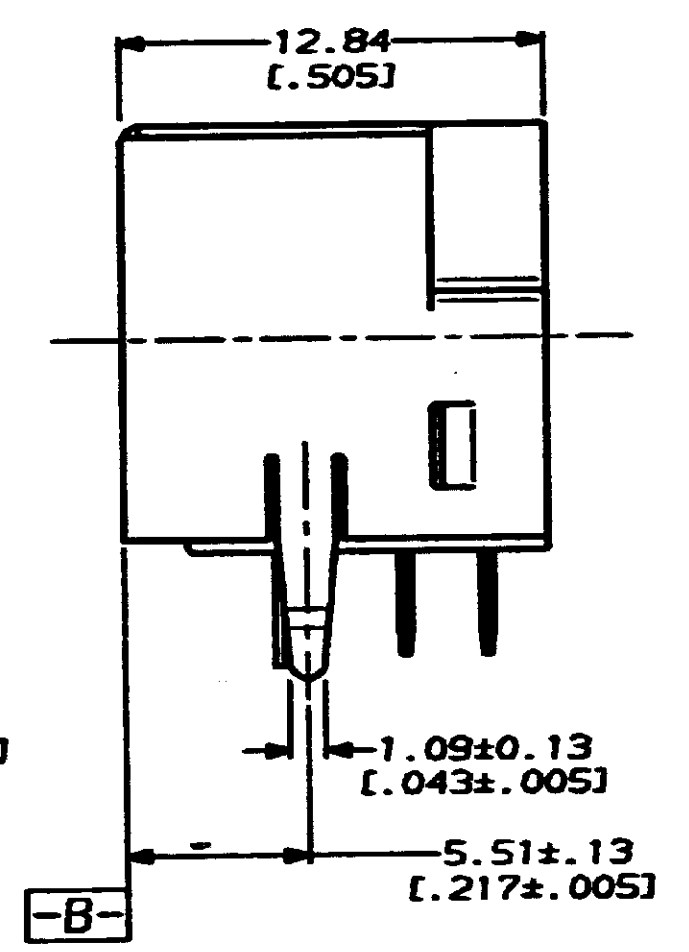
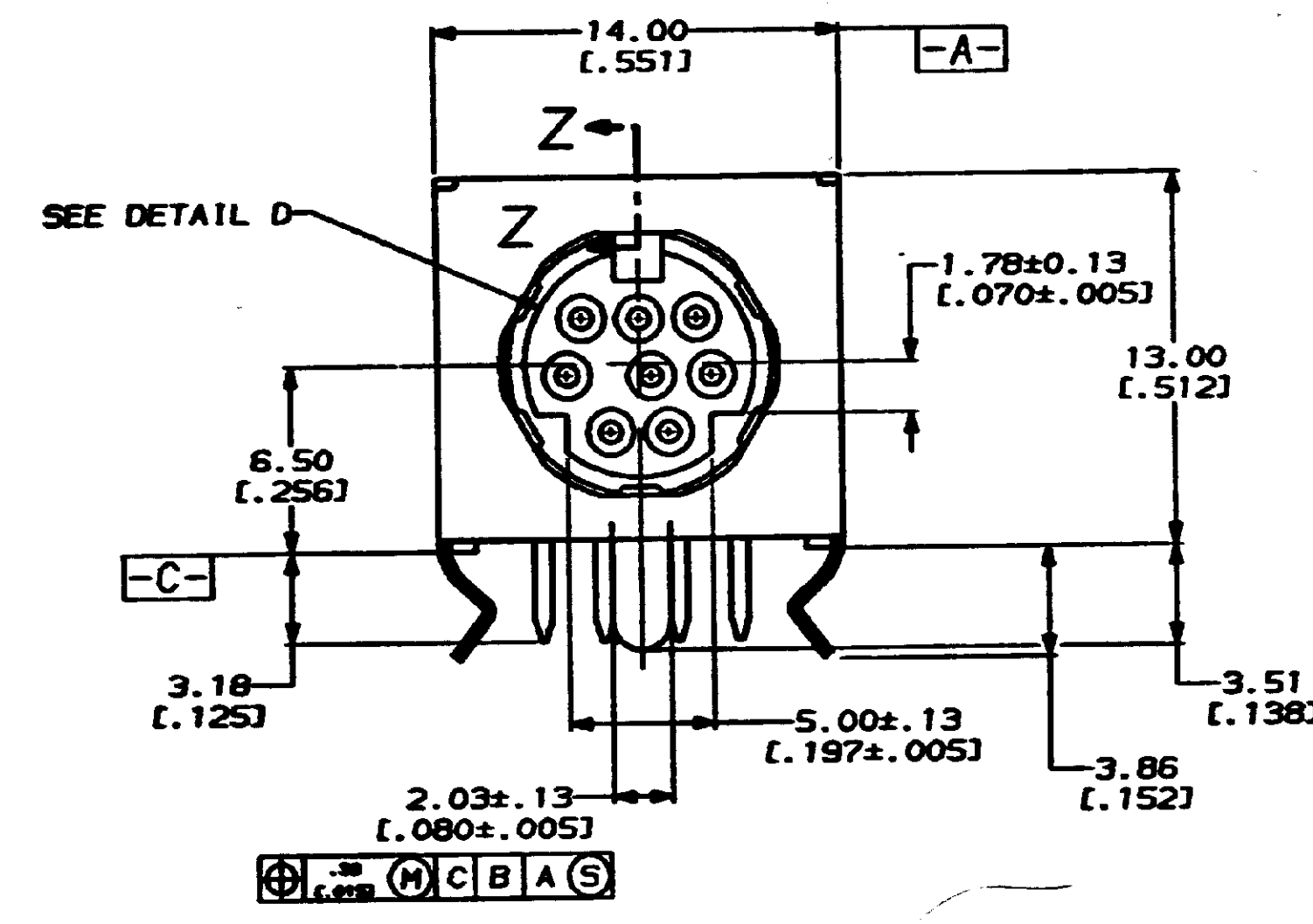
Address: A1208, Overseas Decoration Building, #122 Zhenhua RD., Futian, Shenzhen, China



REV. NO.		DATE	DESCRIPTION	DATE	APP'D
0	18	BD	39		
0			RLSE NPR 2275 MAS 88-4837-21		
A			REVISED ECN-BD2959		RW
B			REVISED ECN BD3043		RW
C			REV PER ECN BD5426		RW



1. DIMENSIONS IN BRACKETS ARE IN INCHES.
- △ MATERIAL:  
RECEPTACLE CONTACTS - PHOSPHOR BRONZE.  
RECEPTACLE SHIELD - COPPER ALLOY.  
HOUSING - UL RECOGNIZED 94V-0 RATED THERMOPLASTIC, COLOR: BLACK.
- △ PLATING:  
RECEPTACLE CONTACTS - GOLD FLASH PLATED ON MATING END, TIN-LEAD PLATED .0030 MIN [.000120 MIN] THICK ON SOLDER TAIL ALL OVER .0013 MIN [.000050 MIN] THICK NICKEL.
- △ PLATING:  
RECEPTACLE SHIELD - .0025 MIN [.000100 MIN] THICK BRIGHT TIN-LEAD OVER .00076 MIN [.000030 MIN] THICK NICKEL.
5. RECEPTACLE ASSEMBLY MATES WITH 8 PIN 9.00 +/- .10 [.354 +/- .004] DIAMETER PLUG.



DO NOT SCALE PRINT. UNLESS SPECIFIED DIMENSIONS IN INCHES AND TOLERANCES ON: 2 PLC DEC * 3 PLC DEC * 0.381 [.015] ANGLES * 0°30'		DR 1-24-89 P. COBINS CHK 1-24-89 C. OHL APPD 1-24-89 B. H. ROSSER APPD 1-24-89 E. C. MYERS	AMP INCORPORATED Murrysville, Pa. 17068	
MATERIAL: △		PRODUCT SPEC: 108-1225	RECEPTACLE ASSY W/SHLD DOWN, 8 POS, RIGHT ANGLE, MINIATURE CIRCULAR DIN	
FINISH: △△	APPLICATION SPEC:	SIZE: D	FSCN NO: 00779	DRAWING NO: 749232
WEIGHT:		SCALE: 5:1	SHEET 1 OF 1	

CUSTOMER DRAWING