



Chipsmall Limited consists of a professional team with an average of over 10 year of expertise in the distribution of electronic components. Based in Hongkong, we have already established firm and mutual-benefit business relationships with customers from,Europe,America and south Asia,supplying obsolete and hard-to-find components to meet their specific needs.

With the principle of “Quality Parts,Customers Priority,Honest Operation,and Considerate Service”,our business mainly focus on the distribution of electronic components. Line cards we deal with include Microchip,ALPS,ROHM,Xilinx,Pulse,ON,Everlight and Freescale. Main products comprise IC,Modules,Potentiometer,IC Socket,Relay,Connector.Our parts cover such applications as commercial,industrial, and automotives areas.

We are looking forward to setting up business relationship with you and hope to provide you with the best service and solution. Let us make a better world for our industry!



Contact us

Tel: +86-755-8981 8866 Fax: +86-755-8427 6832

Email & Skype: info@chipsmall.com Web: www.chipsmall.com

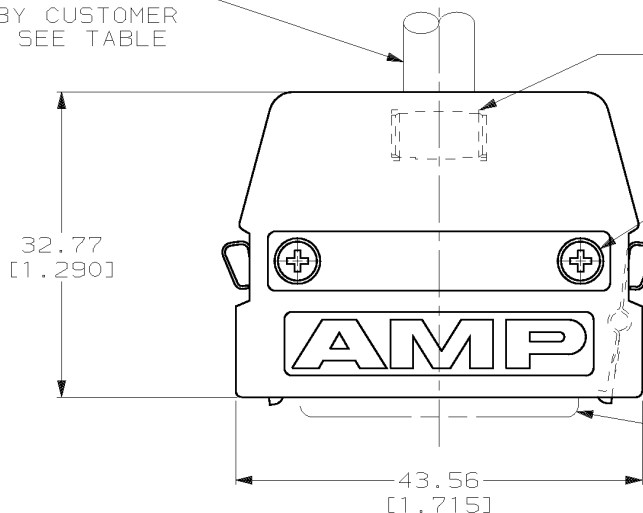
Address: A1208, Overseas Decoration Building, #122 Zhenhua RD., Futian, Shenzhen, China



THIS DRAWING IS UNPUBLISHED. RELEASED FOR PUBLICATION .19
 © COPYRIGHT 19 BY AMP INCORPORATED. ALL INTERNATIONAL RIGHTS RESERVED.

LOC	DIST	P	F	ZONE	LTR	DESCRIPTION	DATE	APPD
GP	00				H	REVISED PER EC 0513-0160-03	22MAY03	JG

CABLE SUPPLIED BY CUSTOMER SEE TABLE



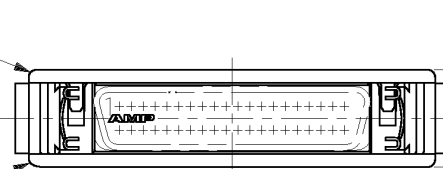
STRAIN RELIEF STAPLE (1 SUPPLIED)
 MATERIAL: STEEL
 FINISH: SEE TABLE

MACHINE SCREW (2 SUPPLIED)
 #2-56 UNC X 6.35 [.250]

SPRING LATCH (2 SUPPLIED)
 MATERIAL: STAINLESS STEEL

CONNECTOR (MUST BE PURCHASED SEPARATELY)

UPPER BACKSHELL (1 SUPPLIED)
 MATERIAL: ZINC PLATING: NICKEL OVER COPPER



LOWER BACKSHELL (1 SUPPLIED)
 MATERIAL: ZINC PLATING: NICKEL OVER COPPER

- ① 8.13 [.320] MAX CABLE DIA.
- ② 6.86 [.270] MAX CABLE DIA.
- ③ OBSOLETE PART NUMBER.
- ④ BRIGHT TIN-LEAD OVER NICKEL.
- ⑤ BRIGHT TIN OVER NICKEL.

CABLE SIZE	PACKAGING	STAPLE FINISH	PART NO
②	BULK	④	749192-3
①	BULK	④	749192-2 ③
①	INDIVIDUAL	④	749192-1

DO NOT SCALE PRINT. UNLESS SPECIFIED DIMENSIONS IN mm [INCHES] TOLERANCES ON: 2 PLC DEC ± - 3 PLC DEC ± 0.38 (.015) ANGLES ± -		DR 12-20-88 M.A. McCAFFREY CHK 12-20-88 M.E. SHIRK APPD 12-20-88 J. BROSHARD APPD 12-20-88 C.E. REYNOLDS	AMP INCORPORATED Harrisburg, Pa. 17105	
MATERIAL	-	PRODUCT SPEC	NAME KIT, UNASSEMBLED, 40 POSITION, STRAIGHT EXIT, UNKEYED, AMPLIMITE™ .050 SERIES	
FINISH	-	APPLICATION SPEC	SIZE B	FSCM NO 00779
		WEIGHT	SCALE 2:1	DRAWING NO 749192
			SHEET	1 OF 1