



Chipsmall Limited consists of a professional team with an average of over 10 year of expertise in the distribution of electronic components. Based in Hongkong, we have already established firm and mutual-benefit business relationships with customers from,Europe,America and south Asia,supplying obsolete and hard-to-find components to meet their specific needs.

With the principle of “Quality Parts,Customers Priority,Honest Operation,and Considerate Service”,our business mainly focus on the distribution of electronic components. Line cards we deal with include Microchip,ALPS,ROHM,Xilinx,Pulse,ON,Everlight and Freescale. Main products comprise IC,Modules,Potentiometer,IC Socket,Relay,Connector.Our parts cover such applications as commercial,industrial, and automotives areas.

We are looking forward to setting up business relationship with you and hope to provide you with the best service and solution. Let us make a better world for our industry!



Contact us

Tel: +86-755-8981 8866 Fax: +86-755-8427 6832

Email & Skype: info@chipsmall.com Web: www.chipsmall.com

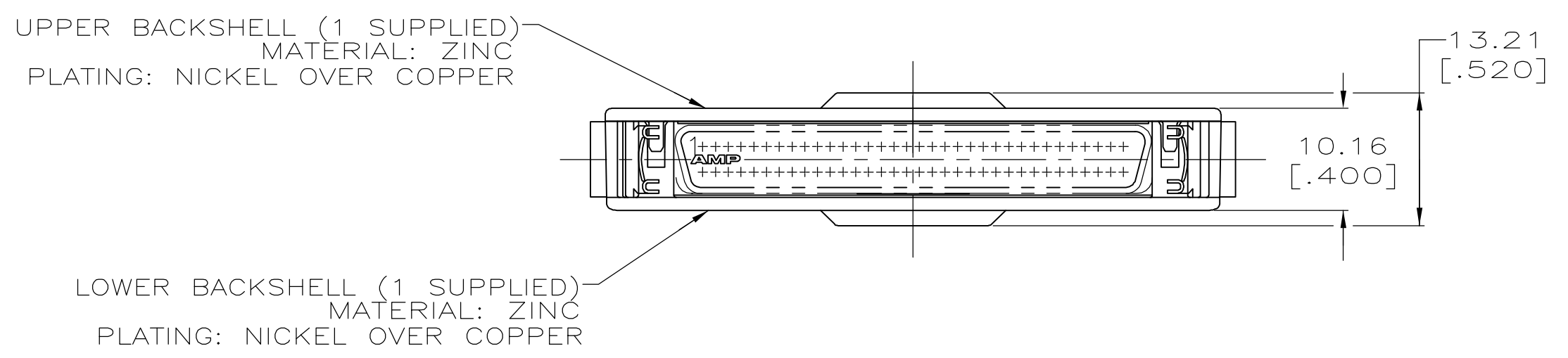
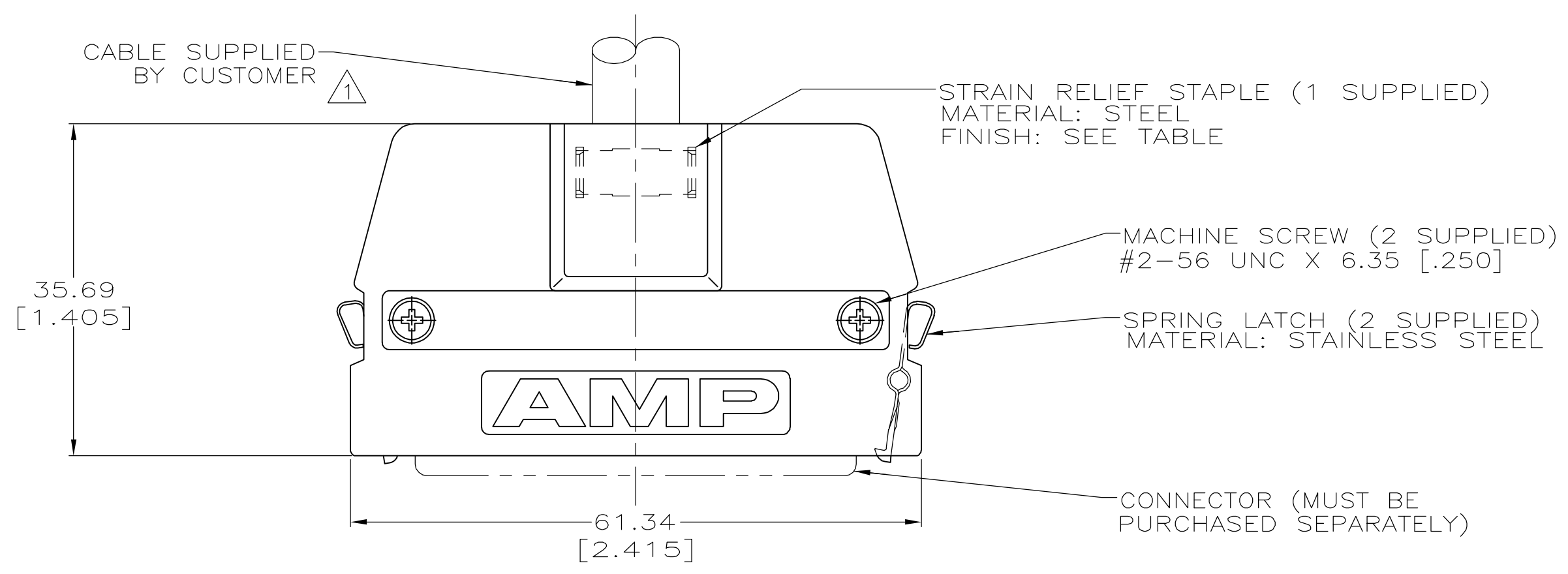
Address: A1208, Overseas Decoration Building, #122 Zhenhua RD., Futian, Shenzhen, China



THIS DRAWING IS UNPUBLISHED. RELEASED FOR PUBLICATION
 © COPYRIGHT BY TYCO ELECTRONICS CORPORATION. ALL RIGHTS RESERVED.

LOC	DIST	REVISIONS					
GP	00	P	LTR	DESCRIPTION	DATE	DWN	APVD
		E1		REVISED PER ECO-05-009286	28FEB06	BM	SS

- ① 10.16 [.400] MAX CABLE DIA
- ② 11.18 [.440] MAX CABLE DIA
- ③ BRIGHT TIN-LEAD OVER NICKEL.
- ④ BRIGHT TIN OVER NICKEL.



SUPERSEDED BY 5749195-2	②	④	749195-3
	②	③	749195-2
OBSOLETE	AS SHOWN ①	③	749195-1
	REMARKS	STAPLE FINISH	PART NO

THIS DRAWING IS A CONTROLLED DOCUMENT.		DWN M.A.McCAFFREY 12-20-88	Tyco Electronics Corporation Harrisburg, PA 17105-3608	
DIMENSIONS: mm[INCHES]		CHK M.E.SHIRK 12-20-88	APVD	
TOLERANCES UNLESS OTHERWISE SPECIFIED:		NAME		
0 PLC ± -		PRODUCT SPEC		
1 PLC ± -		APPLICATION SPEC		
2 PLC ± 0.38 [.015]		SIZE		
3 PLC ± -		CAGE CODE		
4 PLC ± -		DRAWING NO		
ANGLES ± -		RESTRICTED TO		
FINISH		WEIGHT		
-		-		
		CUSTOMER DRAWING		
		SCALE 2:1		SHEET 1 of 1
		REV E1		