



Chipsmall Limited consists of a professional team with an average of over 10 year of expertise in the distribution of electronic components. Based in Hongkong, we have already established firm and mutual-benefit business relationships with customers from,Europe,America and south Asia,supplying obsolete and hard-to-find components to meet their specific needs.

With the principle of “Quality Parts,Customers Priority,Honest Operation,and Considerate Service”,our business mainly focus on the distribution of electronic components. Line cards we deal with include Microchip,ALPS,ROHM,Xilinx,Pulse,ON,Everlight and Freescale. Main products comprise IC,Modules,Potentiometer,IC Socket,Relay,Connector.Our parts cover such applications as commercial,industrial, and automotives areas.

We are looking forward to setting up business relationship with you and hope to provide you with the best service and solution. Let us make a better world for our industry!



Contact us

Tel: +86-755-8981 8866 Fax: +86-755-8427 6832

Email & Skype: info@chipsmall.com Web: www.chipsmall.com

Address: A1208, Overseas Decoration Building, #122 Zhenhua RD., Futian, Shenzhen, China

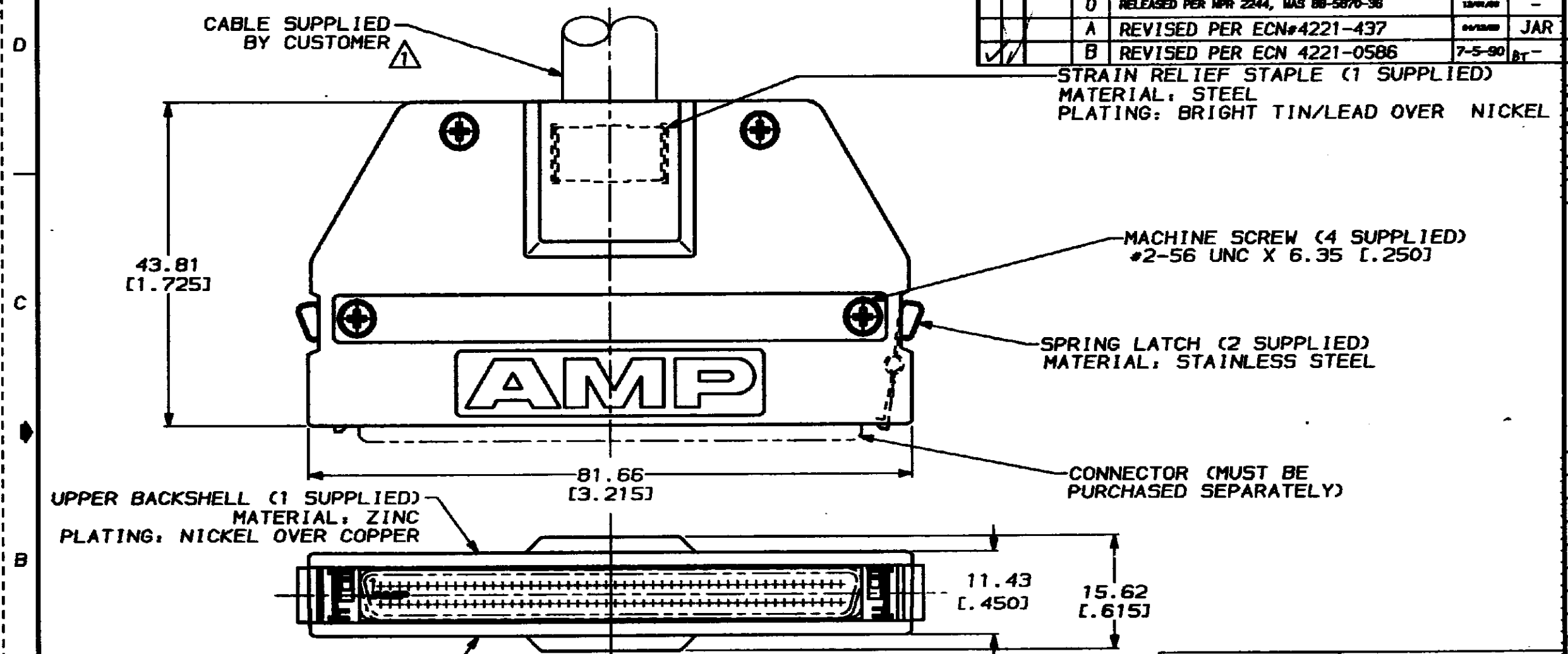


4
DRAWING MADE IN THIRD ANGLE PROJECTION

THIS DRAWING IS UNPUBLISHED. RELEASED FOR PUBLICATION .19
© COPYRIGHT 19 BY AMP INCORPORATED. ALL INTERNATIONAL RIGHTS RESERVED.

8 BD 39

ZONE	LTR	DESCRIPTION	DATE	APPD
	0	RELEASED PER MFR 2244, MAS 88-5870-36	12/91/88	-
	A	REVISED PER ECN#4221-437	04/1989	JAR
	B	REVISED PER ECN 4221-0586	7-5-90	BT



UPPER BACKSHELL (1 SUPPLIED)
MATERIAL: ZINC
PLATING: NICKEL OVER COPPER

LOWER BACKSHELL (1 SUPPLIED)
MATERIAL: ZINC
PLATING: NICKEL OVER COPPER

▲ 12.70 [.500] MAX CABLE DIA

METRIC

STRAIN RELIEF STAPLE (1 SUPPLIED)
MATERIAL: STEEL
PLATING: BRIGHT TIN/LEAD OVER NICKEL

MACHINE SCREW (4 SUPPLIED)
#2-56 UNC X 6.35 [.250]

SPRING LATCH (2 SUPPLIED)
MATERIAL: STAINLESS STEEL

CONNECTOR (MUST BE
PURCHASED SEPARATELY)

DO NOT SCALE PRINT.
UNLESS SPECIFIED
DIMENSIONS IN INCHES
TOLERANCES ON:
2 PLC DEC ± .005
3 PLC DEC ± 0.001 (MILS)
ANGLES ± .5°

MATERIAL	-
FINISH	-
WEIGHT	-

OR 12-30-88	R.A. McCAFFEY
CHK 12-30-88	R.E. BUECK
APPD 12-20-88	J. BRONKHORST
APPD 12-30-88	C.E. REYNOLDS
PRODUCT SPEC	-
APPLICATION SPEC	-

AS SHOWN	749197-1
REMARKS	PART NO
AMP AMP INCORPORATED Harrisburg, Pa. 17105	
INDIVIDUAL KIT, UNASSEMBLED, 100 POSITION, STRAIGHT EXIT, UNKEYED, AMPLINITE .050 Series	
SIZE	PSGN NO
B	00779
SCALE	DRAWING NO
2:1	749197
	SHEET
	1 OF 1