



Chipsmall Limited consists of a professional team with an average of over 10 year of expertise in the distribution of electronic components. Based in Hongkong, we have already established firm and mutual-benefit business relationships with customers from,Europe,America and south Asia,supplying obsolete and hard-to-find components to meet their specific needs.

With the principle of “Quality Parts,Customers Priority,Honest Operation,and Considerate Service”,our business mainly focus on the distribution of electronic components. Line cards we deal with include Microchip,ALPS,ROHM,Xilinx,Pulse,ON,Everlight and Freescale. Main products comprise IC,Modules,Potentiometer,IC Socket,Relay,Connector.Our parts cover such applications as commercial,industrial, and automotives areas.

We are looking forward to setting up business relationship with you and hope to provide you with the best service and solution. Let us make a better world for our industry!



## Contact us

Tel: +86-755-8981 8866 Fax: +86-755-8427 6832

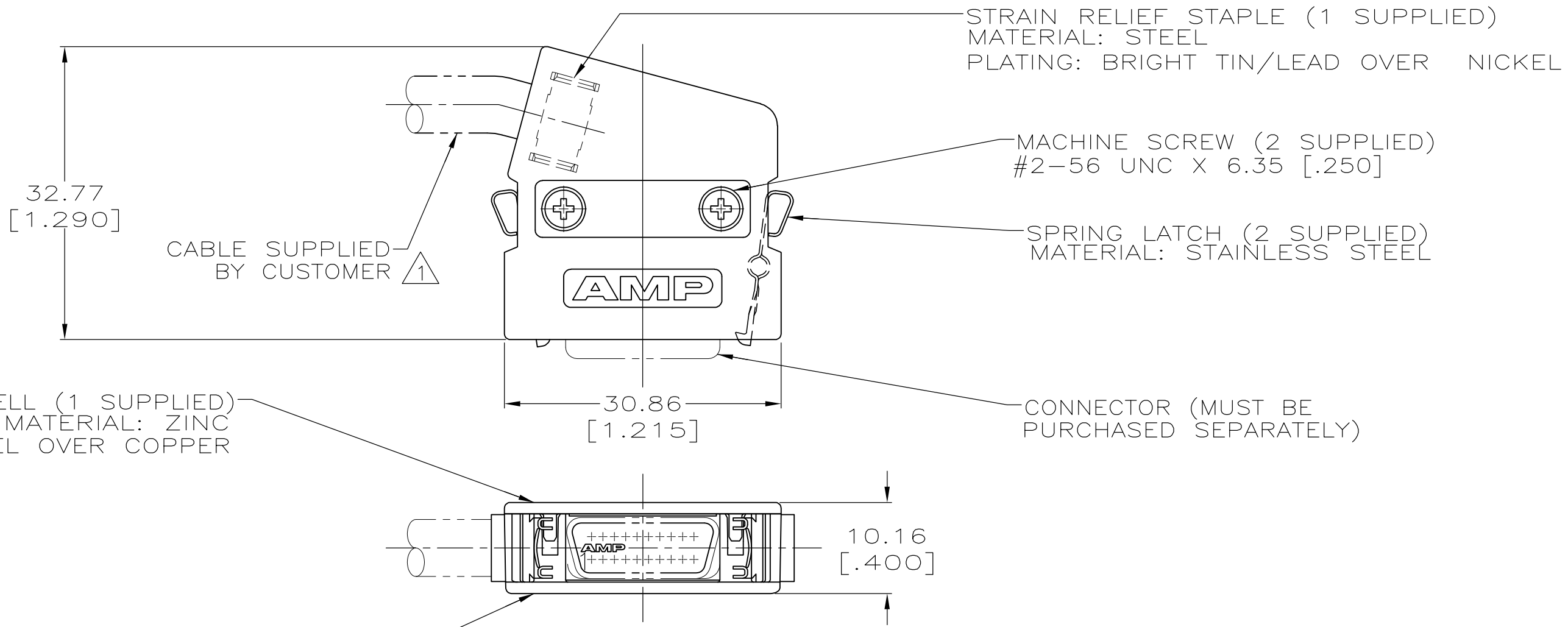
Email & Skype: info@chipsmall.com Web: www.chipsmall.com

Address: A1208, Overseas Decoration Building, #122 Zhenhua RD., Futian, Shenzhen, China



THIS DRAWING IS UNPUBLISHED. RELEASED FOR PUBLICATION ,19  
 © COPYRIGHT 19 BY AMP INCORPORATED. ALL INTERNATIONAL RIGHTS RESERVED.

LOC	DIST	P	F	ZONE	LTR	DESCRIPTION	DATE	APPD
GP	00				D	REVISED PER EC 0S13-0401-04	11NOV04	JG
					D1	REVISED PER ECO-09-022424	15SEP09	AEG



2	OBSOLETE	BULK - 150 PIECES	—749199-2—
		INDIVIDUAL - 1 PIECE	749199-1
PACKAGING			PART NO

- 1 6.86 [.270] MAX CABLE DIA
- 2 OBSOLETE PARTS: OBSOLETE CIS STREAMLINING PER D.RENAUD/D.SINISI



DO NOT SCALE PRINT. UNLESS SPECIFIED DIMENSIONS IN mm [INCHES] TOLERANCES ON: 2 PLC DEC ± - 3 PLC DEC ± 0.38 [.015] ANGLES ± -	DR 12/20/88 M.E.SHIRK CHK 12/20/88 M.A.MCCAFFREY APPD 12/20/88 J.L.BROSCHARD APPD 12/20/88 C.E.REYNOLDS	AMP INCORPORATED Harrisburg, Pa. 17105	NAME INDIVIDUAL KIT, UNASSEMBLED, 20 POSITION, 75° EXIT, UNKEYED, AMPLIMITE .050 Series
MATERIAL -	PRODUCT SPEC -		
FINISH -	APPLICATION SPEC -	SIZE <b>B</b>	FSCM NO 00779
WEIGHT -		DRAWING NO 749199	
		SCALE 2:1	SHEET 1 OF 1