



Chipsmall Limited consists of a professional team with an average of over 10 year of expertise in the distribution of electronic components. Based in Hongkong, we have already established firm and mutual-benefit business relationships with customers from,Europe,America and south Asia,supplying obsolete and hard-to-find components to meet their specific needs.

With the principle of "Quality Parts,Customers Priority,Honest Operation,and Considerate Service",our business mainly focus on the distribution of electronic components. Line cards we deal with include Microchip,ALPS,ROHM,Xilinx,Pulse,ON,Everlight and Freescale. Main products comprise IC,Modules,Potentiometer,IC Socket,Relay,Connector.Our parts cover such applications as commercial,industrial, and automotives areas.

We are looking forward to setting up business relationship with you and hope to provide you with the best service and solution. Let us make a better world for our industry!



## Contact us

Tel: +86-755-8981 8866 Fax: +86-755-8427 6832

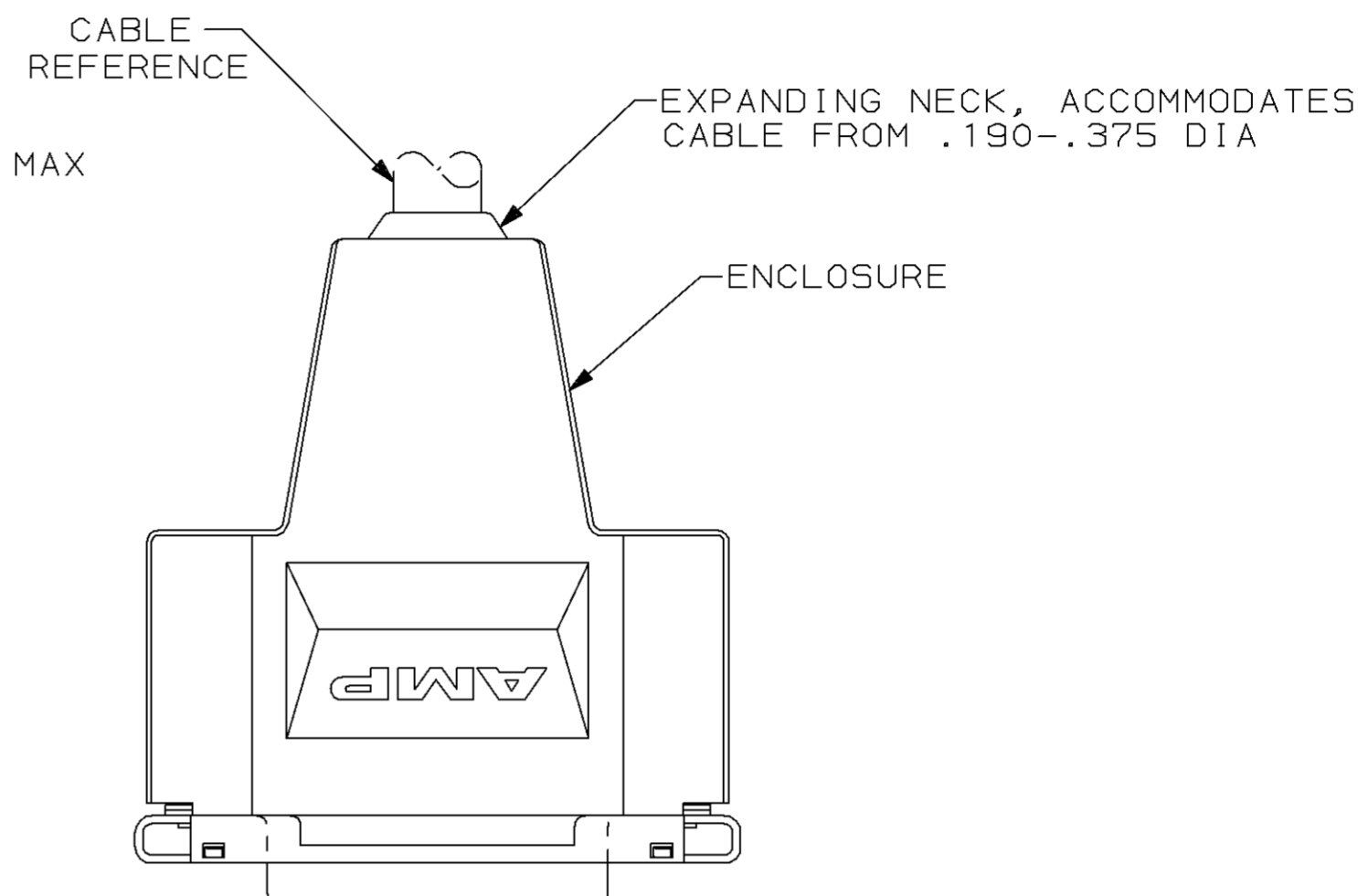
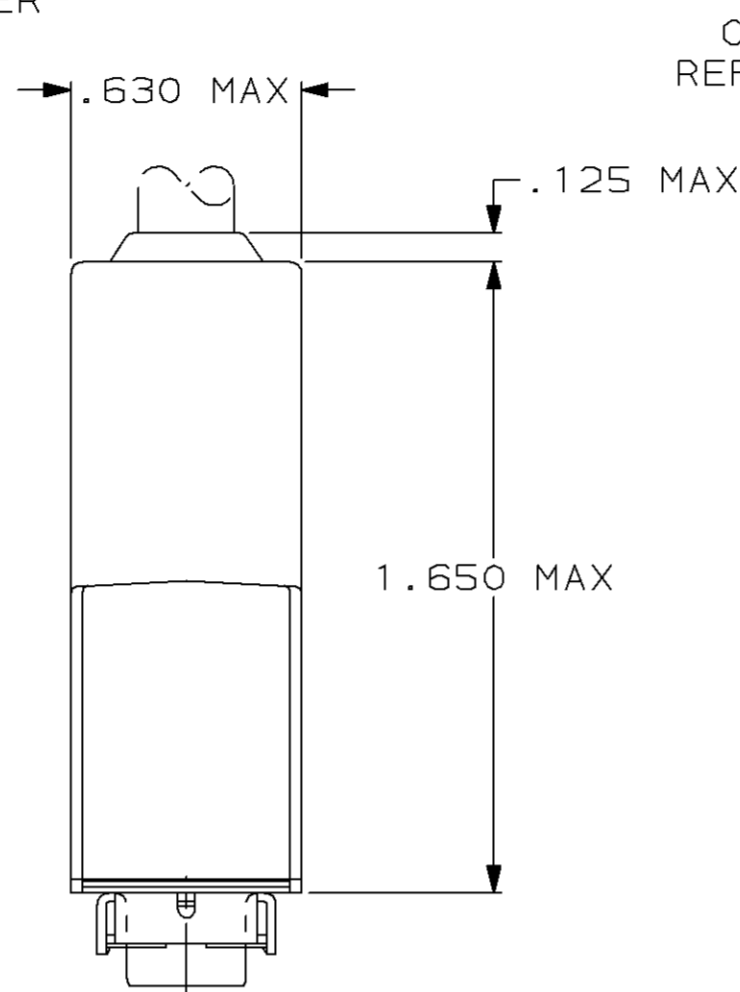
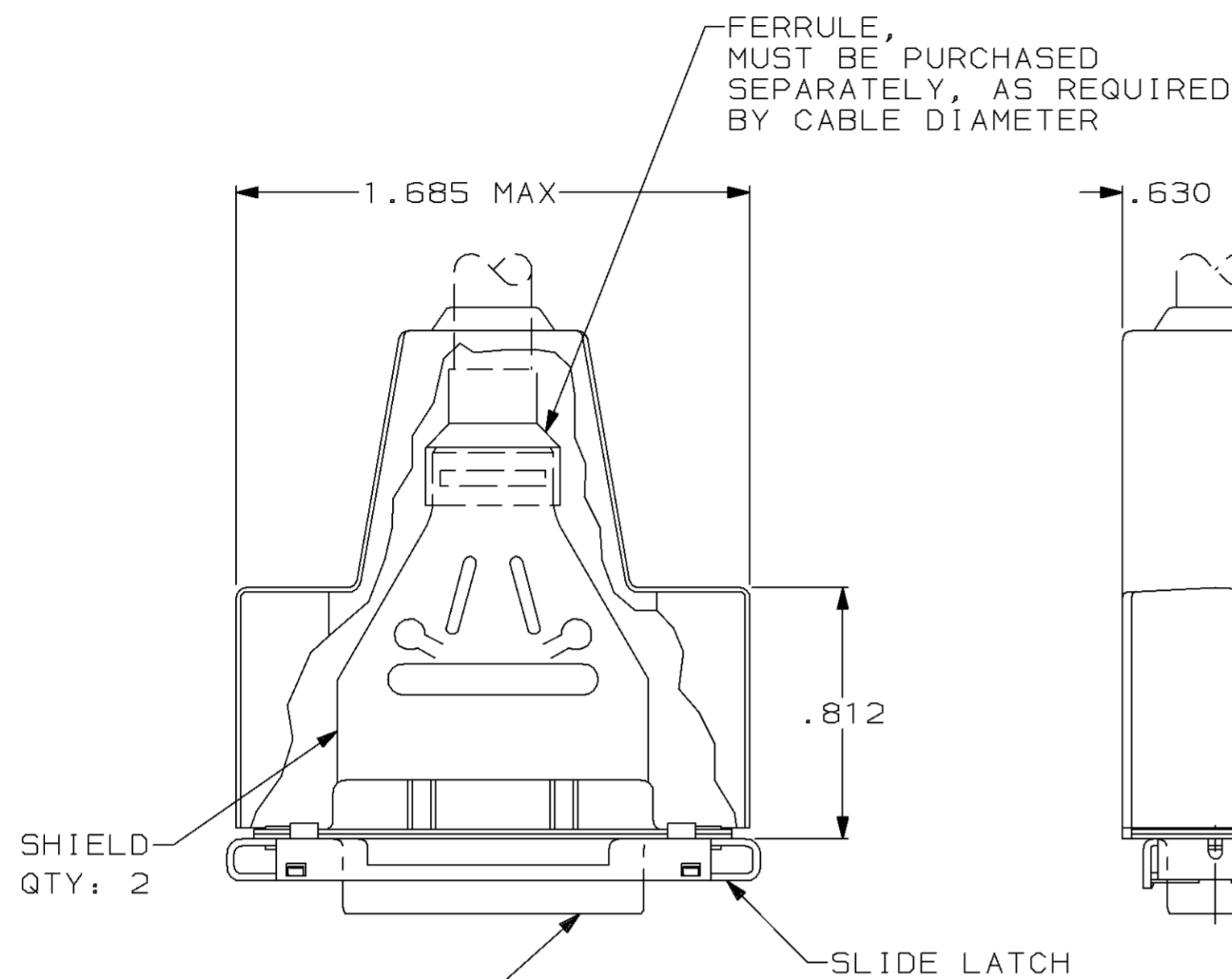
Email & Skype: info@chipsmall.com Web: www.chipsmall.com

Address: A1208, Overseas Decoration Building, #122 Zhenhua RD., Futian, Shenzhen, China

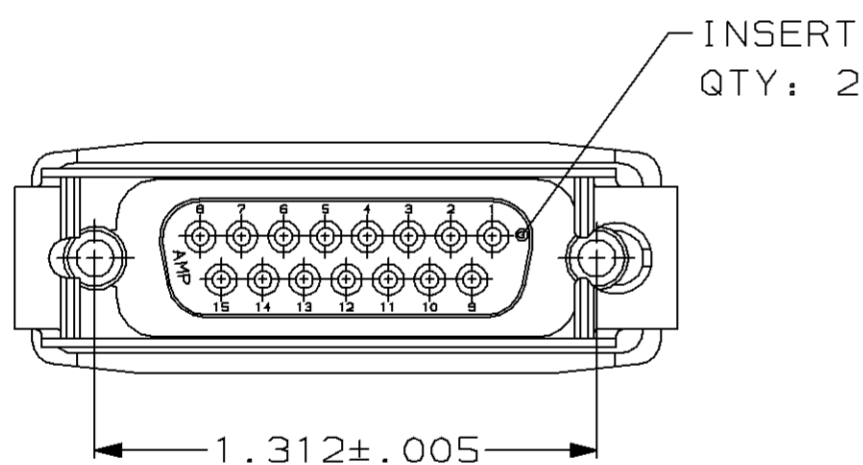


THIS DRAWING IS UNPUBLISHED. RELEASED FOR PUBLICATION ,19 .  
 © COPYRIGHT 19 BY AMP INCORPORATED. ALL INTERNATIONAL RIGHTS RESERVED.

| LOC | DIST | P | F | ZONE | LTR | DESCRIPTION            | DATE     | APPD |
|-----|------|---|---|------|-----|------------------------|----------|------|
| BD  | 48   |   |   |      |     |                        |          |      |
|     |      |   |   |      | O   | RELEASED PER NPR 2229  | 11-9-88  | -    |
|     |      |   |   |      | A   | REV PER ECN BD4814     | 05/31/91 | -    |
|     |      |   |   |      | B   | REV PER ECN BD5049     | 7-2-91   | TMS  |
|     |      |   |   |      | C   | REVISED PER ECN BD6133 | 04/06/92 | TMS  |
|     |      |   |   |      | D   | REV PER EC 0020-972-93 | 07/27/93 | SB   |



RECEPTACLE ASSY HDP-20



- ① RECEPTACLE ACCEPTS SIZE 20 DF SOCKET CONTACTS. CONTACTS MUST BE PURCHASED SEPARATELY.
- 2. ALL PARTS SHIPPED UNASSEMBLED.
- 3. COMPONENTS INDIVIDUALLY BULK PACKAGED.
- ④ ELASTOMER, STYRENE POLYOLEFIN, OR PVC, BLACK.
- ⑤ STAINLESS STEEL PER ASTM A167.
- ⑥ FLAME RETARDANT, 94V-0 RATED, GLASS FILLED, NYLON, BLACK.
- ⑦ CARBON STEEL PER ASTM A109.
- ⑧ .000200 MIN TIN OVER .000050 MIN COPPER, PER MIL-T-10727.

|  |                                |                             |   |                   |
|--|--------------------------------|-----------------------------|---|-------------------|
| DO NOT SCALE PRINT. UNLESS SPECIFIED DIMENSIONS IN INCHES TOLERANCES ON :<br>2 PLC DEC ± -<br>3 PLC DEC ± .020<br>ANGLES ± - |                                | DR 11-9-88<br>W.G.LENKER    | 749246-1<br>PART NO   |                   |
| MATERIAL INSERTS: ⑥<br>ENCLOSURE: ④<br>SLIDE LATCH: ⑤<br>SHIELDS & SHELLS: ⑦   | FINISH SHELLS: ⑧<br>SHIELDS: ⑧ | CHK 12-12-88<br>J.McCLINTON | AMP INCORPORATED<br>Harrisburg, Pa. 17105   |                   |
| PRODUCT SPEC -   | APPLICATION SPEC -             | APPD 12-14-88<br>R.WHYNE    | NAME<br>SHIELDING ENCLOSURE KIT,<br>RECEPTACLE, SIZE 2, 15 POSITION,<br>WITH PREASSEMBLED SLIDE LATCH,<br>AMPLIMITE® HDP-20 |                   |
| WEIGHT -   | SCALE 2:1                      | APPD 12-14-88<br>J.SHOWERS  | SIZE C<br>FSCM NO 00779   | DRAWING NO 749246 |
|  |                                |                             |   | SHEET 1 OF 1      |