



Chipsmall Limited consists of a professional team with an average of over 10 year of expertise in the distribution of electronic components. Based in Hongkong, we have already established firm and mutual-benefit business relationships with customers from,Europe,America and south Asia,supplying obsolete and hard-to-find components to meet their specific needs.

With the principle of “Quality Parts,Customers Priority,Honest Operation,and Considerate Service”,our business mainly focus on the distribution of electronic components. Line cards we deal with include Microchip,ALPS,ROHM,Xilinx,Pulse,ON,Everlight and Freescale. Main products comprise IC,Modules,Potentiometer,IC Socket,Relay,Connector.Our parts cover such applications as commercial,industrial, and automotives areas.

We are looking forward to setting up business relationship with you and hope to provide you with the best service and solution. Let us make a better world for our industry!



Contact us

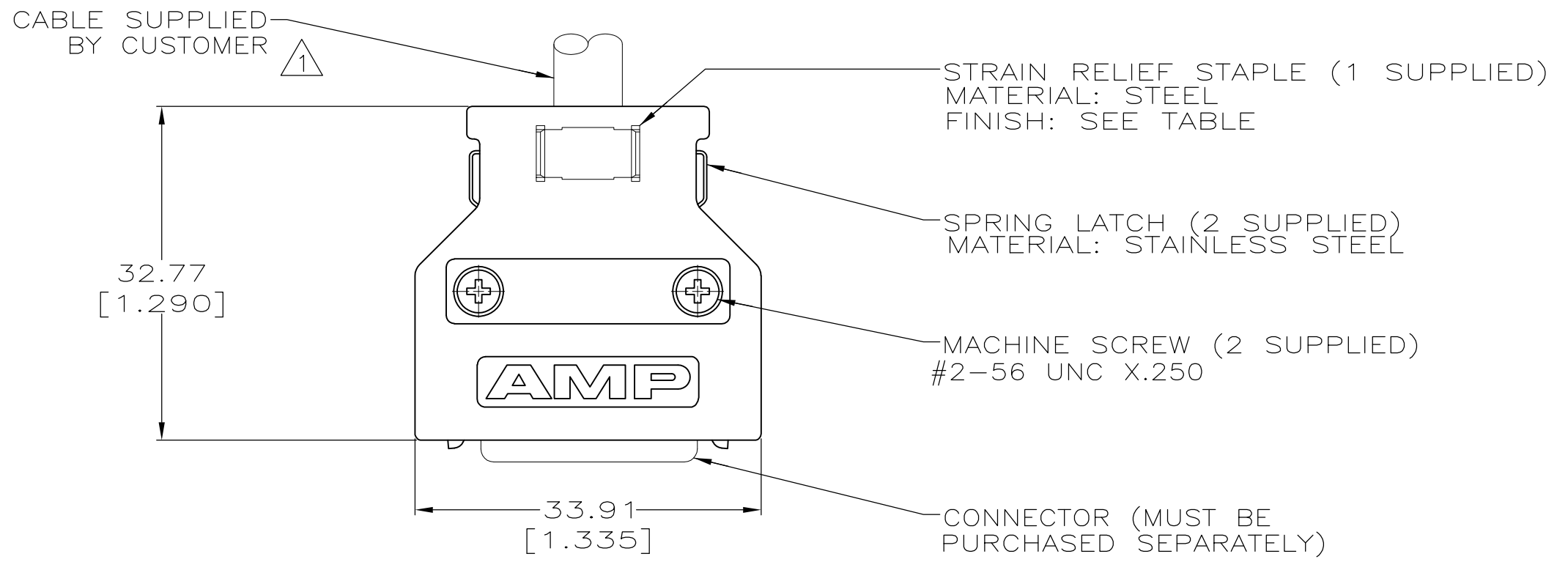
Tel: +86-755-8981 8866 Fax: +86-755-8427 6832

Email & Skype: info@chipsmall.com Web: www.chipsmall.com

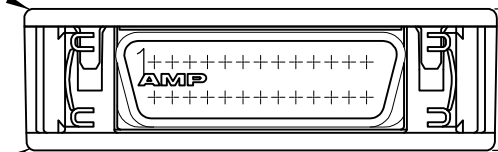
Address: A1208, Overseas Decoration Building, #122 Zhenhua RD., Futian, Shenzhen, China



LOC	DIST	REVISIONS					
GP	00	P	LTR	DESCRIPTION	DATE	DWN	APVD
		A1		REVISED PER ECO-11-004835	11MAR11	RK	HMR



UPPER BACKSHELL (1 SUPPLIED)
 MATERIAL: ZINC
 PLATING: NICKEL OVER COPPER



LOWER BACKSHELL (1 SUPPLIED)
 MATERIAL: ZINC
 PLATING: NICKEL OVER COPPER

④	749608-2
③	749608-1
STAPLE FINISH	PART NO

- ① .270 MAX CABLE DIA
- 2. DIMENSIONS IN BRACKETS ARE IN INCHES.
- ③ BRIGHT TIN-LEAD OVER NICKEL.
- ④ BRIGHT TIN OVER NICKEL.



THIS DRAWING IS A CONTROLLED DOCUMENT.		DWN	M.MCCAFFREY	05/08/89	TE Connectivity NAME INDIVIDUAL KIT, 26 POSITION, REDUCED WIDTH, STRAIGHT EXIT, UNKEYED, AMPLIMITE .050 Series	SIZE	CAGE CODE	DRAWING NO	RESTRICTED TO					
DIMENSIONS:		CHK	M.E.SHIRK	05/11/89		A3	00779	C-749608	-					
mm[INCHES]		APVD	J.BROSCARD	05/23/89										
TOLERANCES UNLESS OTHERWISE SPECIFIED: 0 PLC ± - 1 PLC ± - 2 PLC ± - 3 PLC ± 0.38 [.015] 4 PLC ± - ANGLES ± -		PRODUCT SPEC	-	-										
MATERIAL		APPLICATION SPEC	-	-	WEIGHT	-	CUSTOMER DRAWING		SCALE	2:1	SHEET	1 of 1	REV	A1