



Chipsmall Limited consists of a professional team with an average of over 10 year of expertise in the distribution of electronic components. Based in Hongkong, we have already established firm and mutual-benefit business relationships with customers from,Europe,America and south Asia,supplying obsolete and hard-to-find components to meet their specific needs.

With the principle of “Quality Parts,Customers Priority,Honest Operation,and Considerate Service”,our business mainly focus on the distribution of electronic components. Line cards we deal with include Microchip,ALPS,ROHM,Xilinx,Pulse,ON,Everlight and Freescale. Main products comprise IC,Modules,Potentiometer,IC Socket,Relay,Connector.Our parts cover such applications as commercial,industrial, and automotives areas.

We are looking forward to setting up business relationship with you and hope to provide you with the best service and solution. Let us make a better world for our industry!



## Contact us

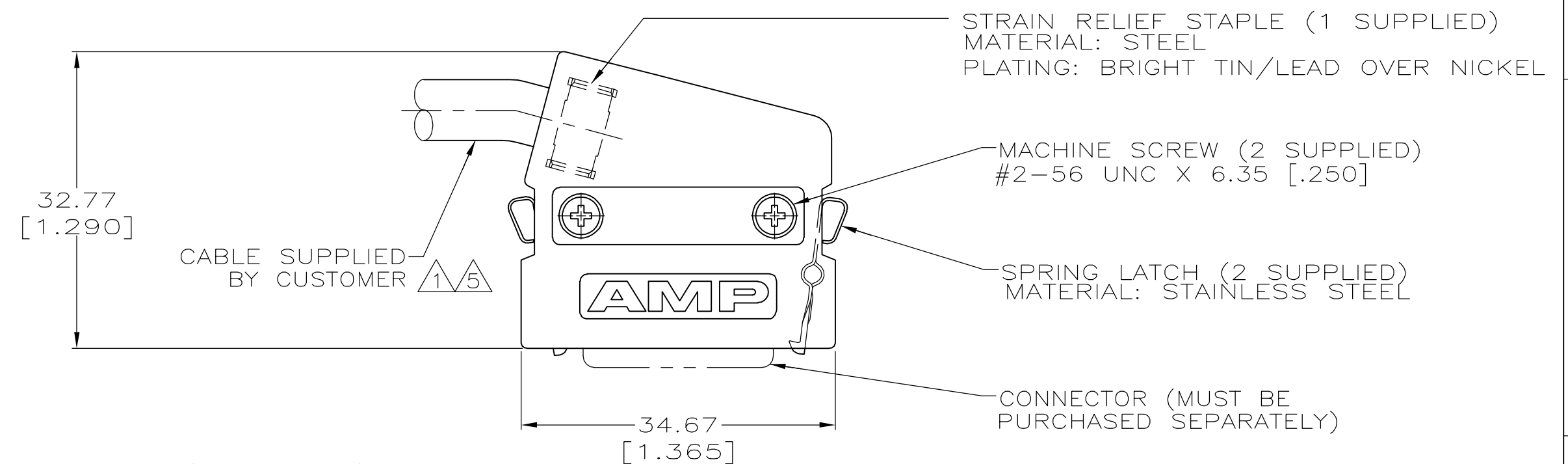
Tel: +86-755-8981 8866 Fax: +86-755-8427 6832

Email & Skype: info@chipsmall.com Web: www.chipsmall.com

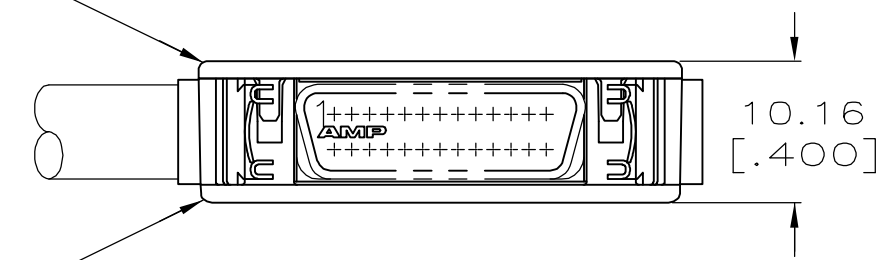
Address: A1208, Overseas Decoration Building, #122 Zhenhua RD., Futian, Shenzhen, China



LOC	DIST	REVISIONS					
GP	00	P	LTR	DESCRIPTION	DATE	DWN	APVD
			E1	REVISED PER ECO-05-009847	10FEB06	BM	SS



UPPER BACKSHELL (1 SUPPLIED)  
 MATERIAL: ZINC  
 PLATING: NICKEL OVER COPPER



LOWER BACKSHELL (1 SUPPLIED)  
 MATERIAL: ZINC  
 PLATING: NICKEL OVER COPPER

	△4	△5	△6	749609-3
OBSOLETE	△4	△1		749609-2
	△3	△1		749609-1
	PACKAGING	MAX CABLE DIA.	PART NUMBER	

- △1 6.86 [.270] MAX CABLE DIA.
- 2. DIMENSIONS IN BRACKETS ARE IN INCHES.
- △3 PACKAGED ONE KIT PER BAG.
- △4 BULK PACKAGED.
- △5 8.13 [.320] MAX CABLE DIA.
- △6 PRELIMINARY, NOT RELEASED FOR PRODUCTION.

THIS DRAWING IS A CONTROLLED DOCUMENT.		DWN	M.MCCAFFREY	05/08/89	<b>tyco</b> <b>Electronics</b>	Tyco Electronics Corporation Harrisburg, PA 17105-3608		
DIMENSIONS: mm[INCHES]		CHK	M.E.SHIRK	05/11/89		NAME	INDIVIDUAL KIT, UNASSEMBLED, 26 POSITION, 75 DEGREE EXIT, UNKEYED, AMPLIMITE .050 Series	
TOLERANCES UNLESS OTHERWISE SPECIFIED:		APVD	-	-	PRODUCT SPEC	-	-	-
0 PLC ± -		APPLICATION SPEC	-	-	WEIGHT	-	-	-
1 PLC ± -		SIZE	A3	00779	CAGE CODE	C=749609	DRAWING NO	RESTRICTED TO
2 PLC ± -		SCALE	2:1	SHEET	1 OF 1	REV	E1	-
3 PLC ± 0.38 [.015]		CUSTOMER DRAWING						
4 PLC ± -								
ANGLES ± -								
MATERIAL -								
FINISH -								