



Chipsmall Limited consists of a professional team with an average of over 10 year of expertise in the distribution of electronic components. Based in Hongkong, we have already established firm and mutual-benefit business relationships with customers from,Europe,America and south Asia,supplying obsolete and hard-to-find components to meet their specific needs.

With the principle of “Quality Parts,Customers Priority,Honest Operation,and Considerate Service”,our business mainly focus on the distribution of electronic components. Line cards we deal with include Microchip,ALPS,ROHM,Xilinx,Pulse,ON,Everlight and Freescale. Main products comprise IC,Modules,Potentiometer,IC Socket,Relay,Connector.Our parts cover such applications as commercial,industrial, and automotives areas.

We are looking forward to setting up business relationship with you and hope to provide you with the best service and solution. Let us make a better world for our industry!



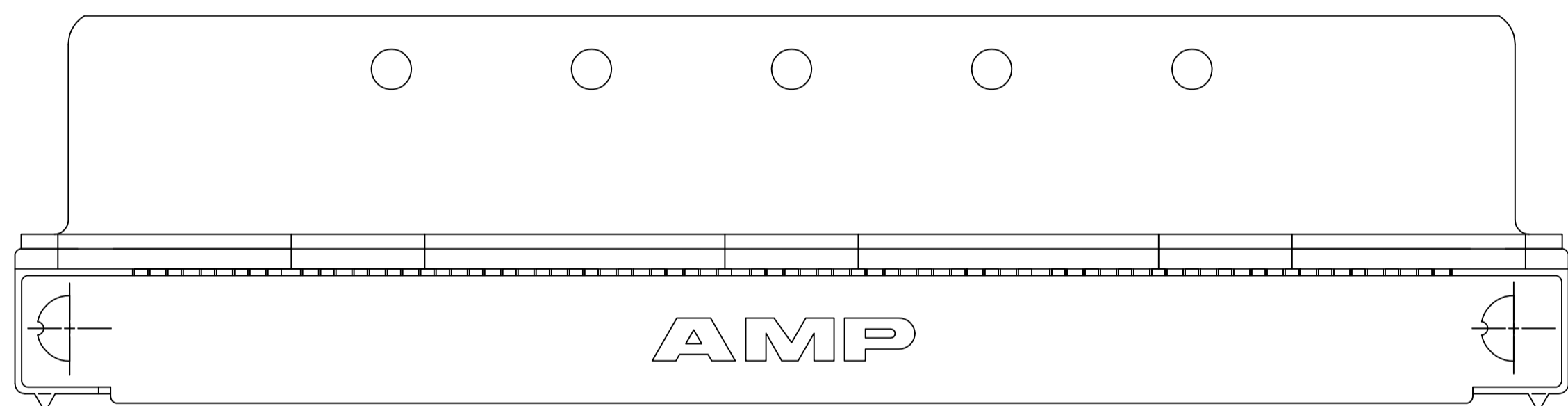
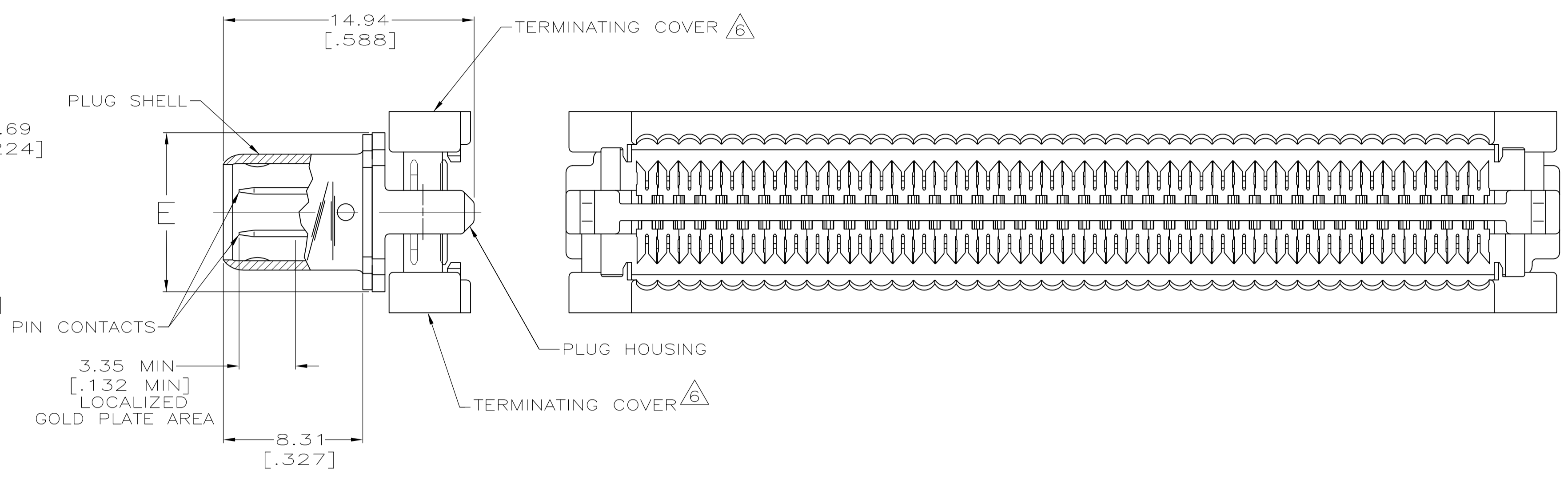
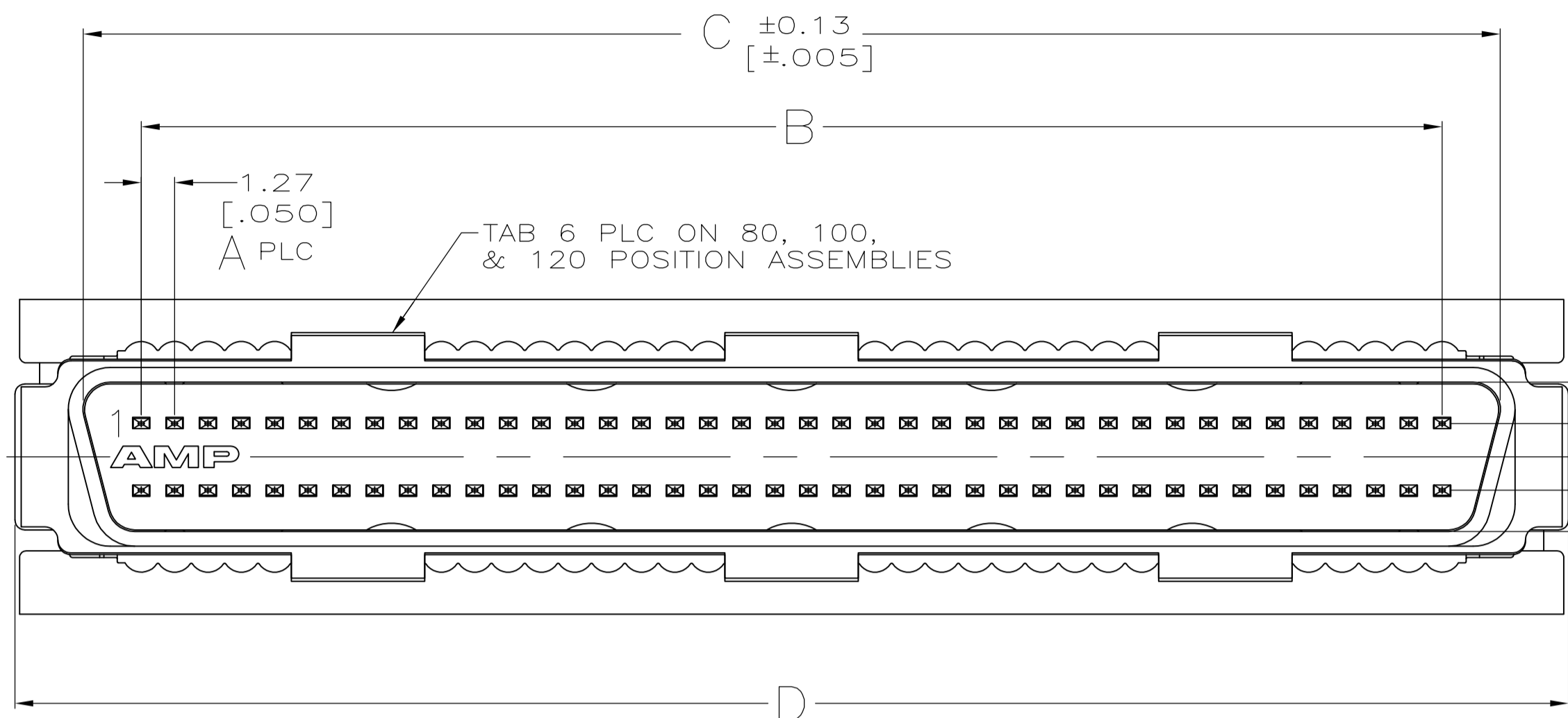
Contact us

Tel: +86-755-8981 8866 Fax: +86-755-8427 6832

Email & Skype: info@chipsmall.com Web: www.chipsmall.com

Address: A1208, Overseas Decoration Building, #122 Zhenhua RD., Futian, Shenzhen, China





- ⚠ PIN CONTACTS: PHOSPHOR BRONZE.
PLUG SHELL: STEEL.
PLUG HOUSING AND TERMINATING COVERS: THERMOPLASTIC, BLACK, UL V-0 RATED.
- ⚠ 0.25μm [.000010] MIN TIN-NICKEL OVER 3.81μm [.000150] MIN NICKEL OVER 2.54μm [.000100] MIN COPPER.
- ⚠ EITHER 0.76μm [.000030] MIN GOLD PLATE OR GOLD FLASH OVER PALLADIUM NICKEL PLATE, 0.76μm [.000030] MIN TOTAL IN LOCALIZED PLATE AREA, 1.52μm [.000060] MIN TIN-LEAD IN TERMINATION AREA, ALL OVER 1.27μm [.000050] MIN NICKEL.
- ⚠ GOLD FLASH IN LOCALIZED GOLD PLATE AREA, 1.52μm [.000060] MIN TIN-LEAD IN TERMINATION AREA, ALL OVER 1.27μm [.000050] MIN NICKEL.
- ⚠ 500 CYCLES DURABILITY PER 108-1228 DOES NOT APPLY FOR CONNECTORS WITH LESS THAN 0.76μm [.000030] THICK GOLD.
- ⚠ TERMINATING COVERS ARE PACKAGED SEPARATELY.
- 7. RECOMMENDED WIRE: 28 AWG OR 30 AWG, SOLID OR 7 STRAND, PVC INSULATION WITH A 0.74-0.91 [.029-.036] INSULATION DIAMETER.
- ⚠ 2.54μm - 7.62μm [.000100 - .000300] TIN-NICKEL OVER 3.81μm - 5.08μm [.000150 - .000200] NICKEL OVER 2.54μm [.000100] MIN COPPER.
- ⚠ 5.08μm - 10.16μm [.000200 - .000400] TIN-LEAD OVER 1.27μm - 2.54μm [.000050 - .000100] COPPER. LUBRICATED AFTER PLATING.
- ⚠ PLATED WITH EITHER 0.76μm [.000030] MIN GOLD PLATE OR GOLD FLASH OVER PALLADIUM NICKEL PLATE, 0.76μm [.000030] MIN TOTAL IN LOCALIZED PLATE AREA, 3.00μm [.000118] MIN TIN IN TERMINATION AREA, ALL OVER 1.27μm [.000050] MIN NICKEL.

	E	D	C	B	A	SHELL FINISH	CONTACT FINISH	NO OF POSN	PART NUMBER
SUPERSEDED BY 5749621-9	9.47 [.373]	71.86 [2.829]	66.60 [2.622]	62.23 [2.450]	49	⚠	⚠	100	1-749621-8
SUPERSEDED BY 5749621-5	7.44 [.293]	40.11 [1.579]	34.85 [1.372]	30.48 [1.200]	24	⚠	⚠	50	1-749621-7
	7.44 [.293]	51.54 [2.029]	46.28 [1.822]	41.91 [1.650]	33	⚠	⚠	68	1-749621-6
OBSOLETE	7.44 [.293]	40.11 [1.579]	34.85 [1.372]	30.48 [1.200]	24	⚠	⚠	50	1-749621-5
OBSOLETE	7.44 [.293]	31.22 [1.229]	25.96 [1.022]	21.59 [.850]	17	⚠	⚠	36	1-749621-1
OBSOLETE	9.47 [.373]	84.56 [3.329]	79.30 [3.122]	74.93 [2.950]	59	⚠	⚠	120	1-749621-0
OBSOLETE	9.47 [.373]	71.89 [2.829]	66.60 [2.622]	62.23 [2.450]	49	⚠	⚠	100	749621-9
	9.47 [.373]	59.16 [2.329]	53.90 [2.122]	49.53 [1.950]	39	⚠	⚠	80	749621-8
	7.44 [.293]	51.54 [2.029]	46.28 [1.822]	41.91 [1.650]	33	⚠	⚠	68	749621-7
OBSOLETE	7.44 [.293]	46.46 [1.829]	41.20 [1.622]	36.83 [1.450]	29	⚠	⚠	60	749621-6
SUPERSEDED BY 5749621-5	7.44 [.293]	40.11 [1.579]	34.85 [1.372]	30.48 [1.200]	24	⚠	⚠	50	749621-5
OBSOLETE	7.44 [.293]	33.76 [1.329]	28.50 [1.122]	24.13 [.950]	19	⚠	⚠	40	749621-4
OBSOLETE	7.44 [.293]	26.14 [1.029]	20.88 [.822]	16.51 [.650]	13	⚠	⚠	28	749621-3
	7.44 [.293]	24.87 [.979]	19.61 [.772]	15.24 [.600]	12	⚠	⚠	26	749621-2
OBSOLETE	7.44 [.293]	21.06 [.829]	15.80 [.622]	11.43 [.450]	9	⚠	⚠	20	749621-1

THIS DRAWING IS A CONTROLLED DOCUMENT.

DIMENSIONS: mm [INCHES]	TOLERANCES UNLESS OTHERWISE SPECIFIED:	DWN: M.E. SHIRK 03/31/89	CHK: JOHN A. ROOT 04/03/89	APVD: -	NAME: -
0 PLC ± -	1 PLC ± -	2 PLC ± 0.38 [.015]	3 PLC ± -	4 PLC ± -	ANGLES ± -
MATERIAL: ⚠	FINISH: SHELL: SEE TABLE	PRODUCT SPEC: 108-1228 ⚠	APPLICATION SPEC: 114-40029	SIZE: A1	SCALE: 5:1
CUSTOMER DRAWING		WEIGHT: -	RESTRICED TO: -	DRAWING NO: 00779	SHEET: 1 OF 1

STE TE Connectivity
KIT, PLUG ASSEMBLY, AMPLIMITE .050 Series