



Chipsmall Limited consists of a professional team with an average of over 10 year of expertise in the distribution of electronic components. Based in Hongkong, we have already established firm and mutual-benefit business relationships with customers from,Europe,America and south Asia,supplying obsolete and hard-to-find components to meet their specific needs.

With the principle of “Quality Parts,Customers Priority,Honest Operation,and Considerate Service”,our business mainly focus on the distribution of electronic components. Line cards we deal with include Microchip,ALPS,ROHM,Xilinx,Pulse,ON,Everlight and Freescale. Main products comprise IC,Modules,Potentiometer,IC Socket,Relay,Connector.Our parts cover such applications as commercial,industrial, and automotives areas.

We are looking forward to setting up business relationship with you and hope to provide you with the best service and solution. Let us make a better world for our industry!



Contact us

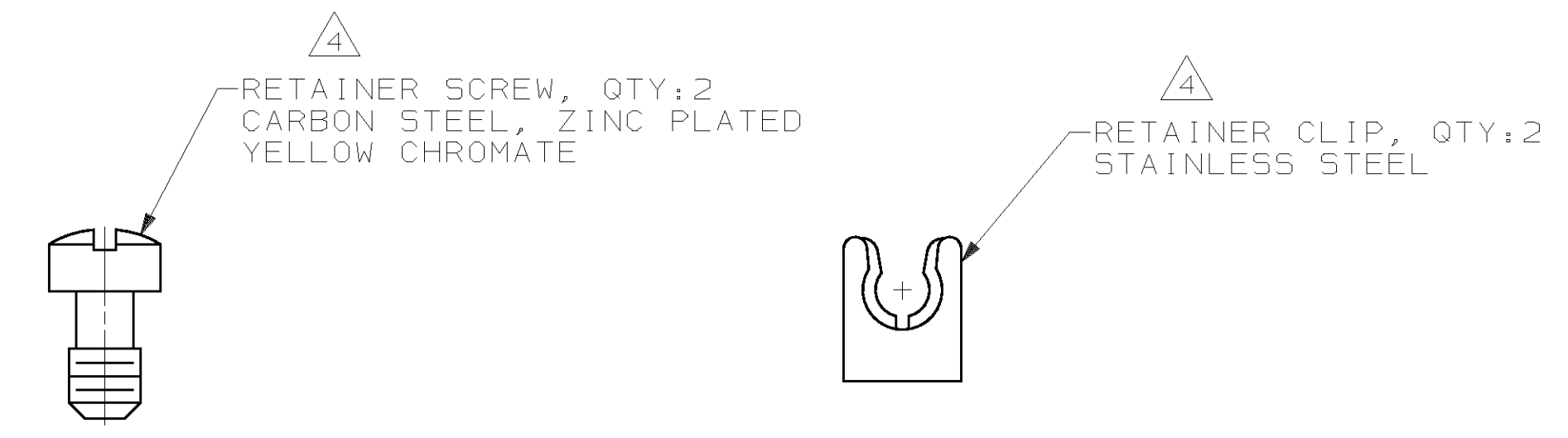
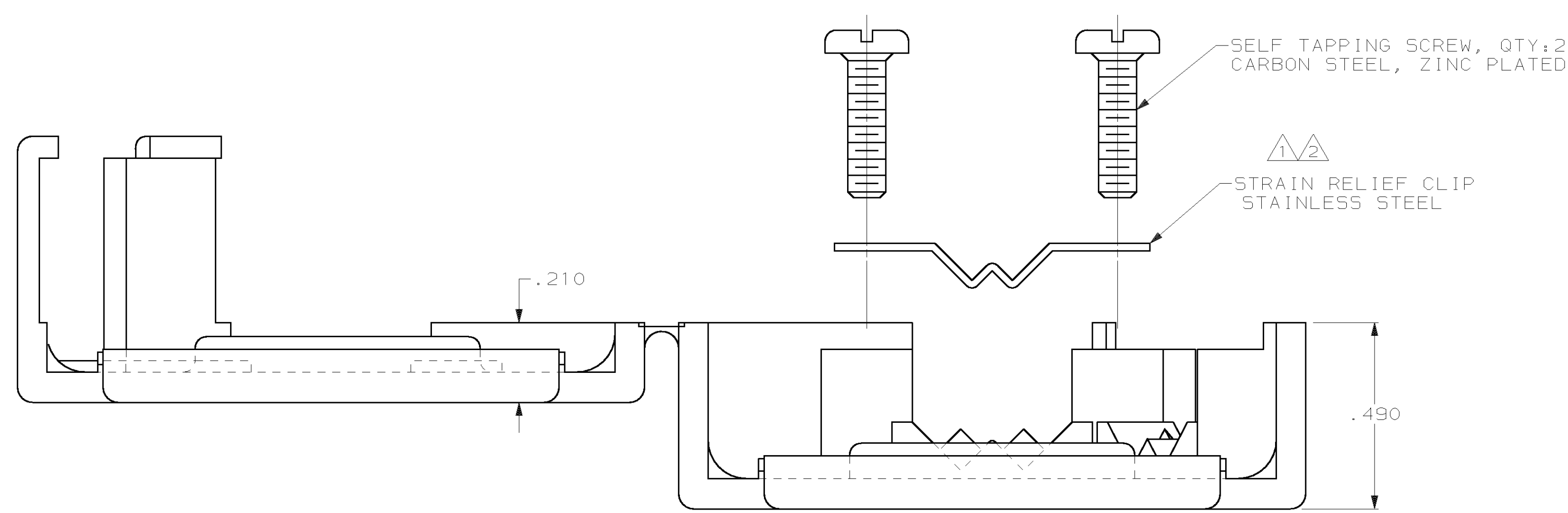
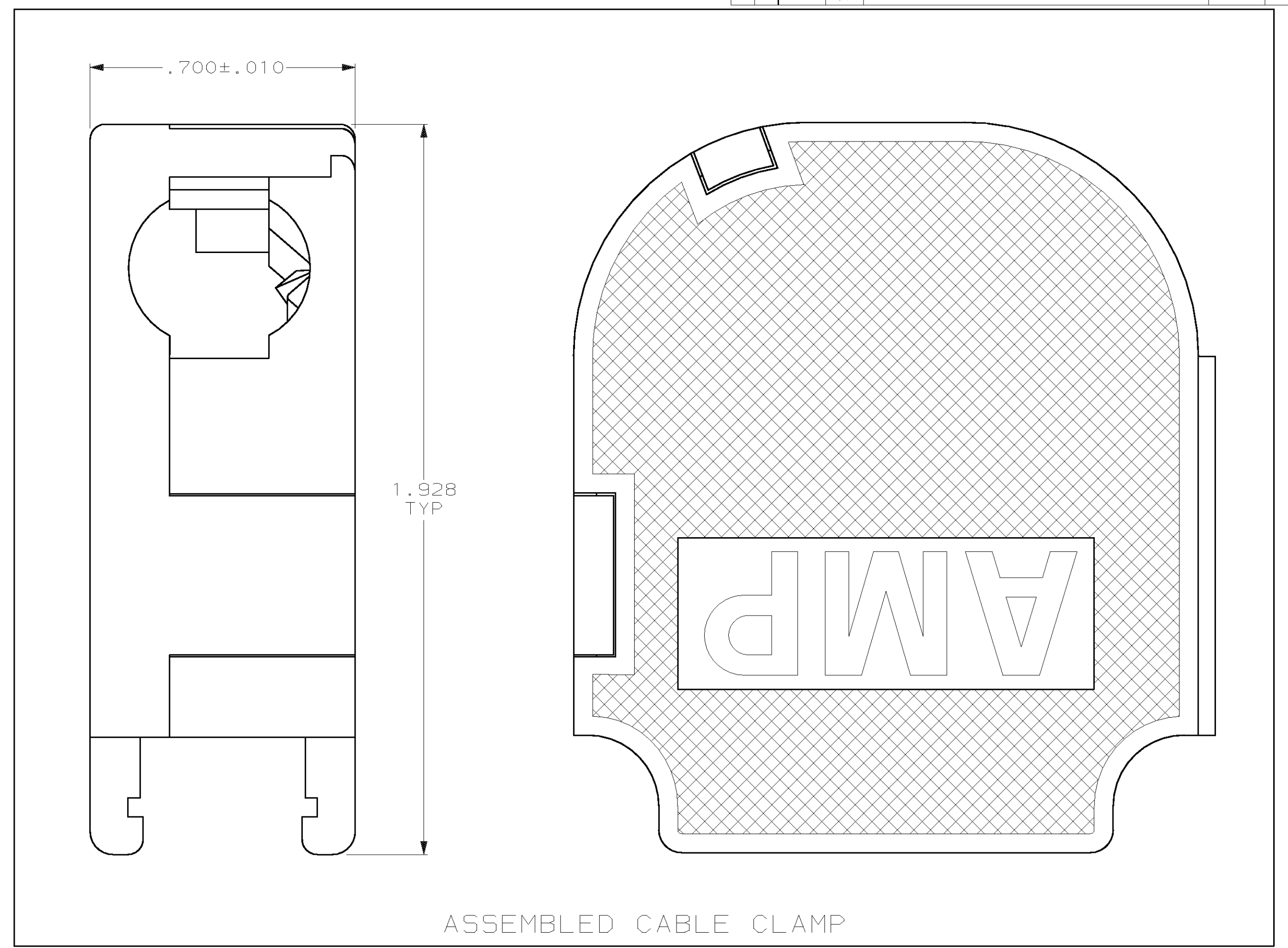
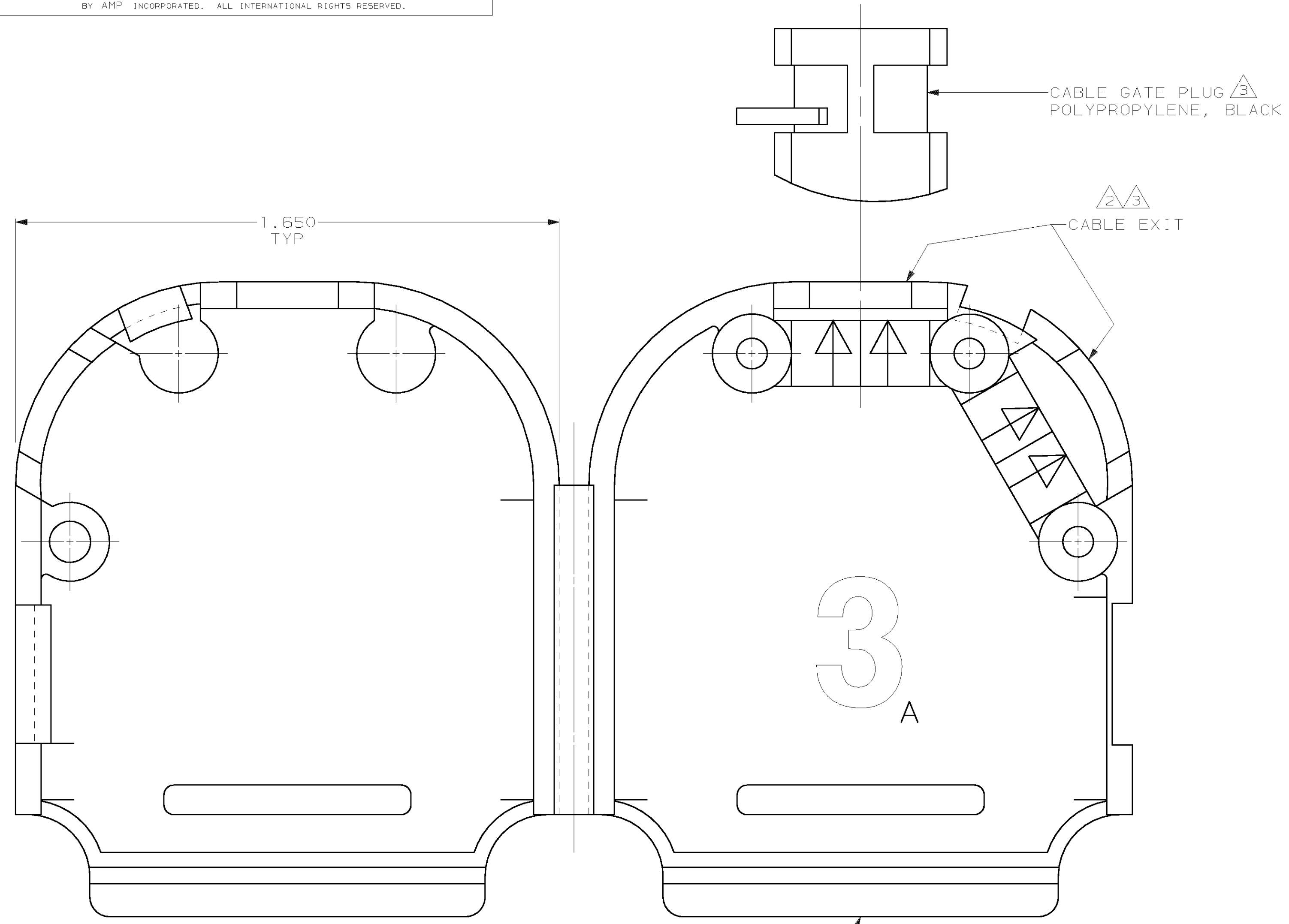
Tel: +86-755-8981 8866 Fax: +86-755-8427 6832

Email & Skype: info@chipsmall.com Web: www.chipsmall.com

Address: A1208, Overseas Decoration Building, #122 Zhenhua RD., Futian, Shenzhen, China



LOC	DIST	P	F	ZONE	LTR	DESCRIPTION	DATE	APPD
BD	48							
					A	REVISED ECN-BD3163	8-15-89	-
					B	REV ECN BD3469, ADDED -2 NPR 2591	11/06/89	JW
					C	REVISED PER ECN BD3542	1-3-90	JW
					D	REV PER ECN BD3719	02/28/90	JW
					E	REV PER ECN BD4220	07/27/90	JW
					F	REV PER ECN BD4313	10/03/90	JW
					G	REVISED PER ECN BD5892	02/26/92	RM
					H	REV PER ECN BD5736	08/26/92	RM
					H1	ADDED -3 PER NPR 4838	07/08/93	NB
					J	REV PER EC 0020-1343-93	11/16/93	SB
					K	REV PER EC 0010-0260-00	09/17/01	JR



- ¹ CLIP CAN BE INSTALLED AS SHOWN FOR SMALL DIAMETER CABLE, OR REVERSED FOR LARGE DIAMETER CABLE.
- ² CLIP MAY BE USED AT EITHER CABLE EXIT.
- ³ CABLE GATE PLUG TO BE PLACED IN CABLE EXIT NOT BEING USED.
- ⁴ RETAINER SCREWS AND RETAINER CLIPS PROVIDED WITH THIS KIT FOR USE WITH METAL SHELL CONNECTORS.
- 5. CABLE DIAMETER RANGE = .180-.460.

SUPERSEDED BY 749626-2	SMALL PACK	749626-3
	UNIT KIT	749626-2
	BULK PACKED	749626-1
	PACKAGING	PART NO

DO NOT SCALE PRINT. UNLESS SPECIFIED DIMENSIONS IN INCHES. TOLERANCES ON: 2 PLC DEC ± .005 ANGLES ± .		DR 03/28/89 S. WELDON		AMP INCORPORATED Harrisburg, Pa. 17105	
SEE CALLOUTS		CHK 04/25/89 R. STONE			
MATERIAL		APPD 04/25/89 S. SCHIEFERLY		NAME	
FINISH		APPD 04/25/89 J. SHOWERS		CABLE CLAMP KIT, UNASSEMBLED, SIZE 3, QUIK-SNAP, 120° & 180° CABLE EXIT, AMPLIMITE®	
SEE CALLOUTS		PRODUCT SPEC		SIZE	
WEIGHT		APPLICATION SPEC		FSCM NO	
				DRAWING NO	
				749626	
				SCALE	
				4:1	
				SHEET	
				1 OF 1	