



Chipsmall Limited consists of a professional team with an average of over 10 year of expertise in the distribution of electronic components. Based in Hongkong, we have already established firm and mutual-benefit business relationships with customers from,Europe,America and south Asia,supplying obsolete and hard-to-find components to meet their specific needs.

With the principle of “Quality Parts,Customers Priority,Honest Operation,and Considerate Service”,our business mainly focus on the distribution of electronic components. Line cards we deal with include Microchip,ALPS,ROHM,Xilinx,Pulse,ON,Everlight and Freescale. Main products comprise IC,Modules,Potentiometer,IC Socket,Relay,Connector.Our parts cover such applications as commercial,industrial, and automotives areas.

We are looking forward to setting up business relationship with you and hope to provide you with the best service and solution. Let us make a better world for our industry!



Contact us

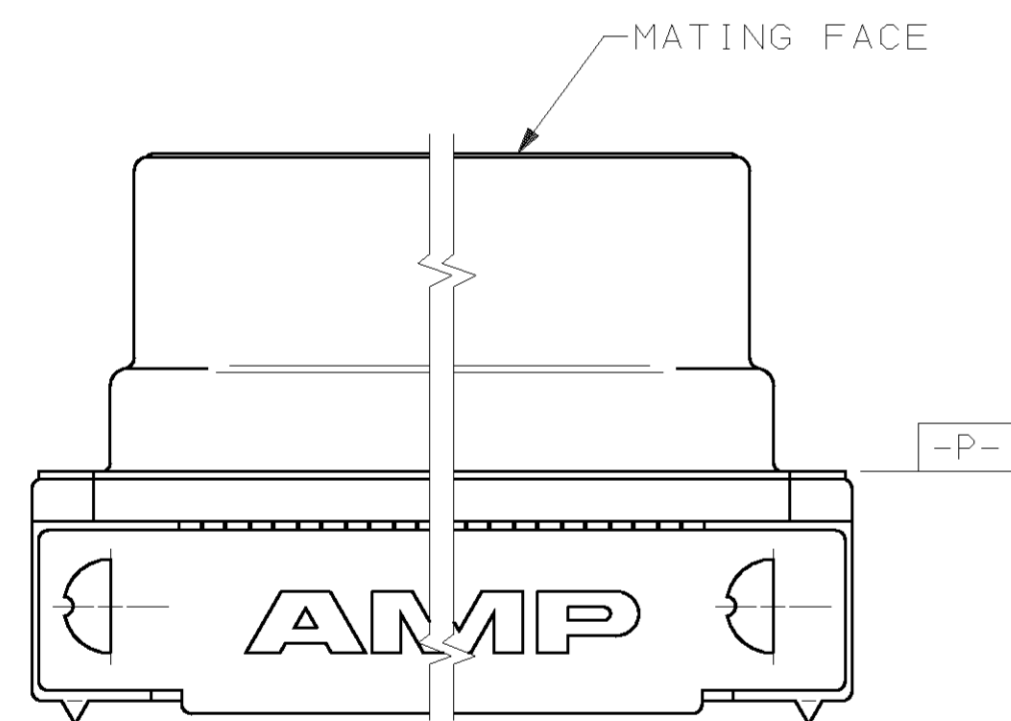
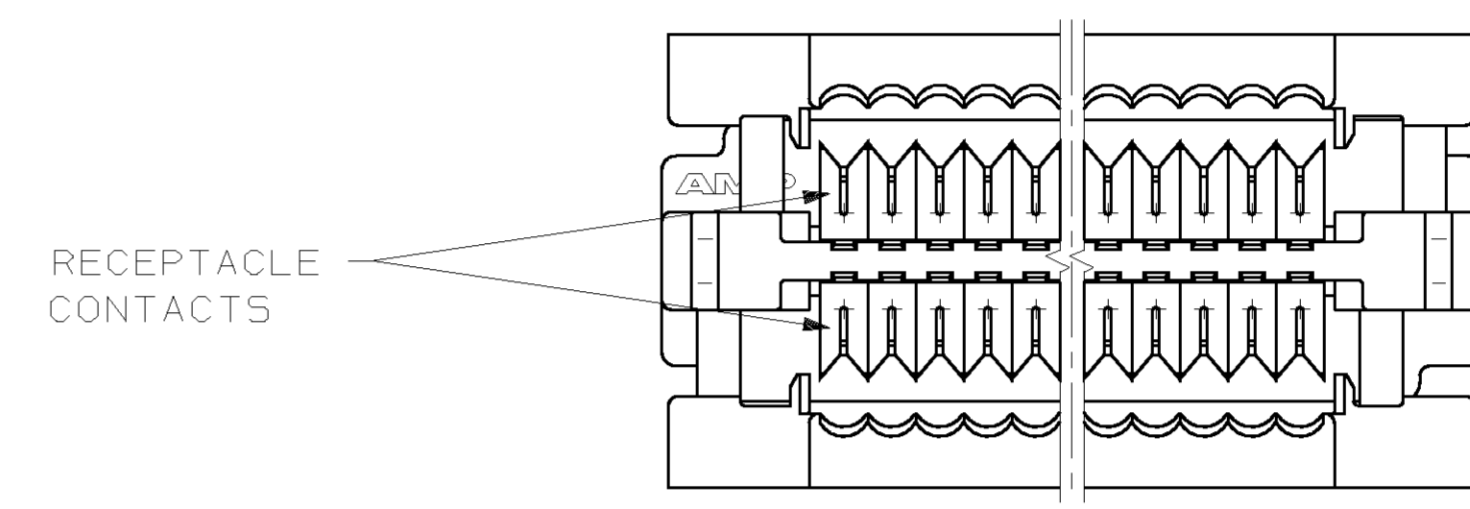
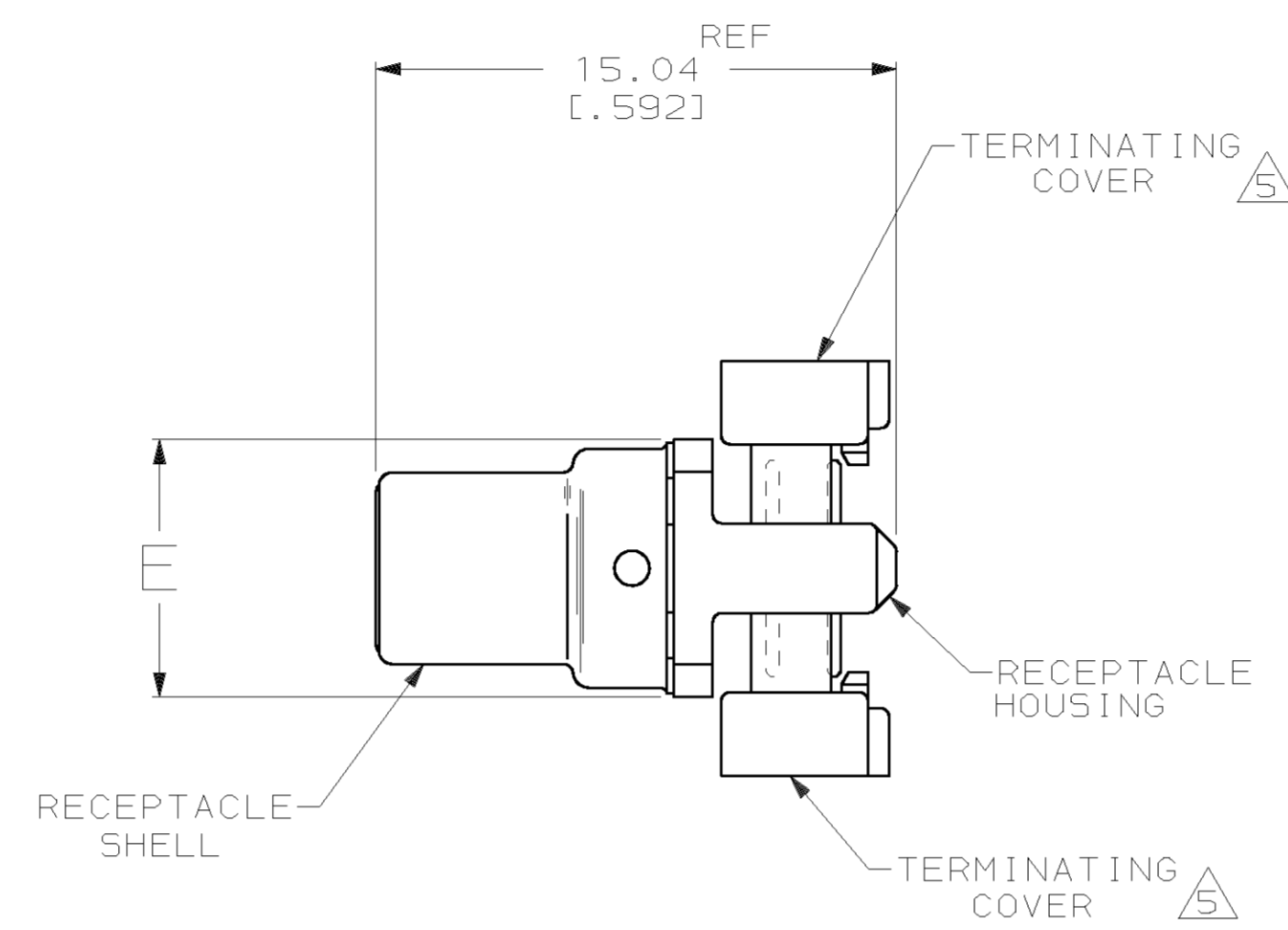
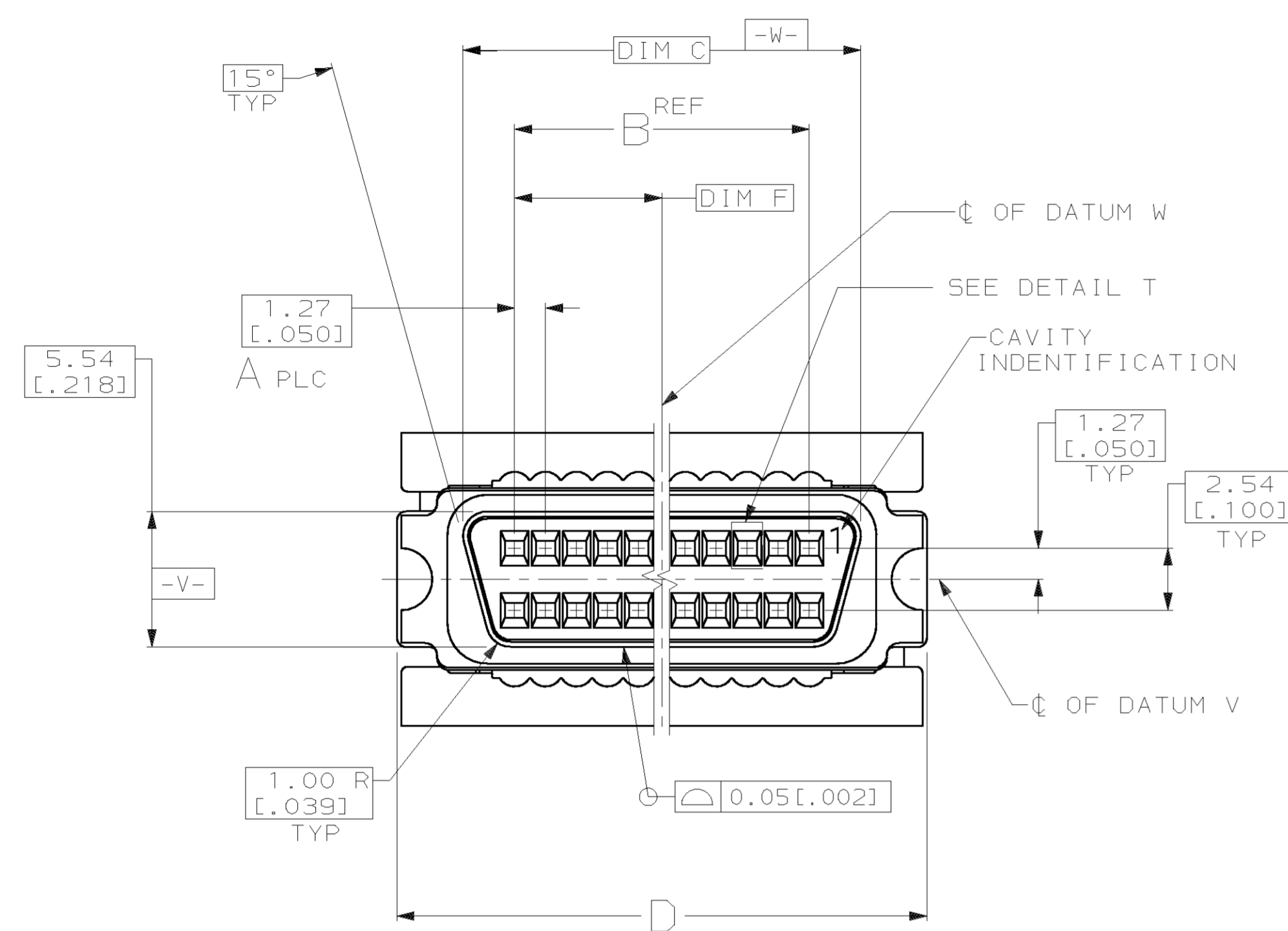
Tel: +86-755-8981 8866 Fax: +86-755-8427 6832

Email & Skype: info@chipsmall.com Web: www.chipsmall.com

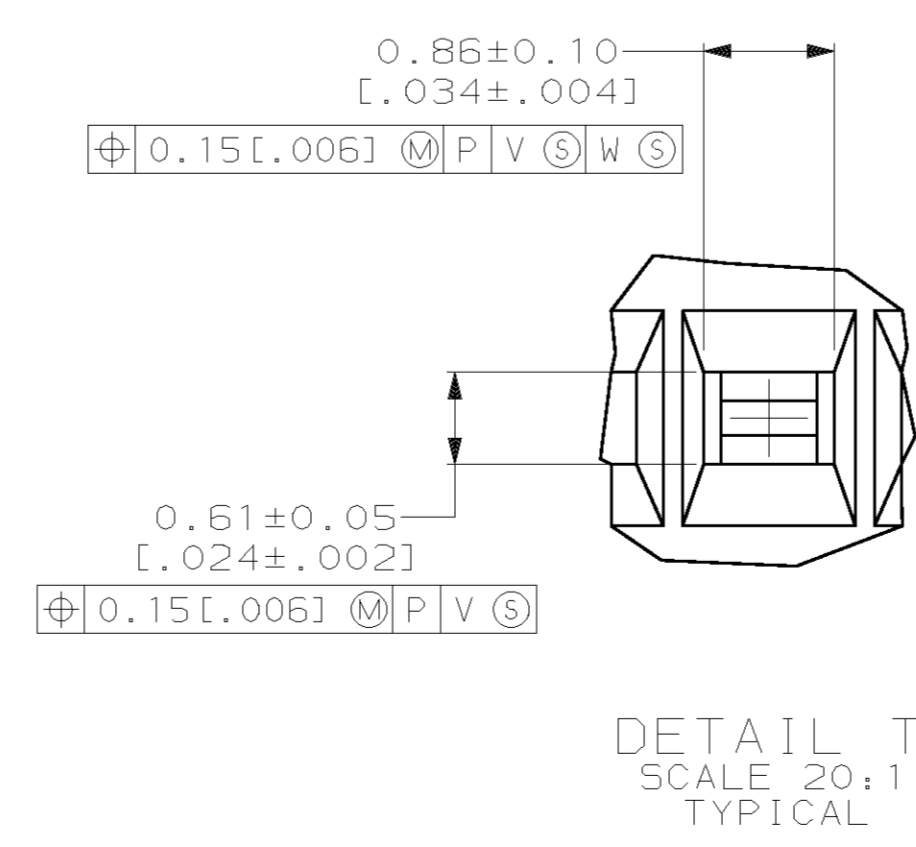
Address: A1208, Overseas Decoration Building, #122 Zhenhua RD., Futian, Shenzhen, China



LOC		DIST		P		ZONE		LTR		REVISIONS			
GP	00									DESCRIPTION	DATE	APPD	
										L	REVISED PER EC 0513-0174-03	16 JUN 03	JG



- 1 MATERIAL:
 RECEPTACLE CONTACTS- PHOSPHOR BRONZE
 RECEPTACLE SHELL- STEEL
 RECEPTACLE HOUSING AND TERMINATING COVERS- UL V-O RATED THERMOPLASTIC, COLOR: BLACK.
- 2 FINISH:
 RECEPTACLE CONTACTS- 0.00076 [.000030] MINIMUM GOLD PLATE IN CONTACT AREA, 0.00127 [.000050] MINIMUM BRIGHT TIN-LEAD PLATE IN TERMINATION AREA, ALL OVER 0.00127 [.000050] MINIMUM NICKEL.
- 3 PLATING:
 RECEPTACLE SHELL- 0.00508 [.000200] MINIMUM BRIGHT NICKEL PLATE OVER 0.00127 [.000050] MINIMUM COPPER.
- 4. RECOMMENDED WIRE:
 28 AWG OR 30 AWG, SOLID OR 7 STRANDED, WITH A 0.74-0.91 [.029-.036] INSULATION DIA, WIRE MUST BE APPROVED BY AMP INCORPORATED.
- 5 TERMINATING COVERS ARE PACKAGED SEPERATELY.
- 6 OBSOLETE PART NUMBER.
- 7 FINISH:
 RECEPTACLE CONTACTS- 0.00076 [.000030] MINIMUM GOLD PLATE IN CONTACT AREA, 0.00300 [.000100] MINIMUM BRIGHT TIN PLATE IN TERMINATION AREA, ALL OVER 0.00127 [.000050] MINIMUM NICKEL.



OBSOLETE

7	20.96 [.825]	7.44 [.293]	51.54 [2.029]	46.13 [1.816]	41.91 [1.650]	33	68	1-749699-1
7	15.24 [.600]	7.44 [.293]	40.11 [1.579]	34.70 [1.366]	30.48 [1.200]	24	50	1-749699-0
2	10.80 [.425]	7.44 [.293]	31.22 [1.229]	25.81 [1.016]	21.59 [.850]	17	36	749699-9
2	31.12 [1.225]	9.47 [.373]	71.86 [2.829]	64.45 [2.516]	62.23 [2.450]	49	100	749699-8
2	20.96 [.825]	7.44 [.293]	51.54 [2.029]	46.13 [1.816]	41.91 [1.650]	33	68	749699-7
2	15.24 [.600]	7.44 [.293]	40.11 [1.579]	34.70 [1.366]	30.48 [1.200]	24	50	749699-5
2	12.06 [.475]	7.44 [.293]	33.76 [1.329]	28.35 [1.116]	24.13 [.950]	19	40	749699-4
2	7.62 [.300]	7.44 [.293]	24.87 [.979]	19.46 [.766]	15.24 [.600]	12	26	749699-2

CONTACT FINISH	F	E	D	C	B	A	NO OF POSN	PART NO
DO NOT SCALE PRINT. UNLESS SPECIFIED DIMENSIONS IN mm [INCHES] TOLERANCES ON: 2 PLC DEC ± 0.13 [.005] 3 PLC DEC ± - ANGLES ± -	DR 05/31/89 M.MCCAFFREY	AMP INCORPORATED Harrisburg, Pa. 17105						NAME KIT, RECEPTACLE CABLE CONNECTOR ASSEMBLY, AMPLIMITE®.050 Series
MATERIAL	CHK 06/02/89 WAYNE DAVIS							
FINISH SHELL: 3 CONTACTS: SEE TABLE	APPD 06/02/89 DAVID GRIESEMER							
	APPD 06/02/89 ROBERT WHITEMAN	PRODUCT SPEC 108-1228	SIZE D	CAGE CODE 00779	DRAWING NO 749699	SHEET 1 OF 1		
	APPLICATION SPEC 114-40029	WEIGHT	SCALE 4:1	CUSTOMER DRAWING				