



Chipsmall Limited consists of a professional team with an average of over 10 year of expertise in the distribution of electronic components. Based in Hongkong, we have already established firm and mutual-benefit business relationships with customers from,Europe,America and south Asia,supplying obsolete and hard-to-find components to meet their specific needs.

With the principle of “Quality Parts,Customers Priority,Honest Operation,and Considerate Service”,our business mainly focus on the distribution of electronic components. Line cards we deal with include Microchip,ALPS,ROHM,Xilinx,Pulse,ON,Everlight and Freescale. Main products comprise IC,Modules,Potentiometer,IC Socket,Relay,Connector.Our parts cover such applications as commercial,industrial, and automotives areas.

We are looking forward to setting up business relationship with you and hope to provide you with the best service and solution. Let us make a better world for our industry!



Contact us

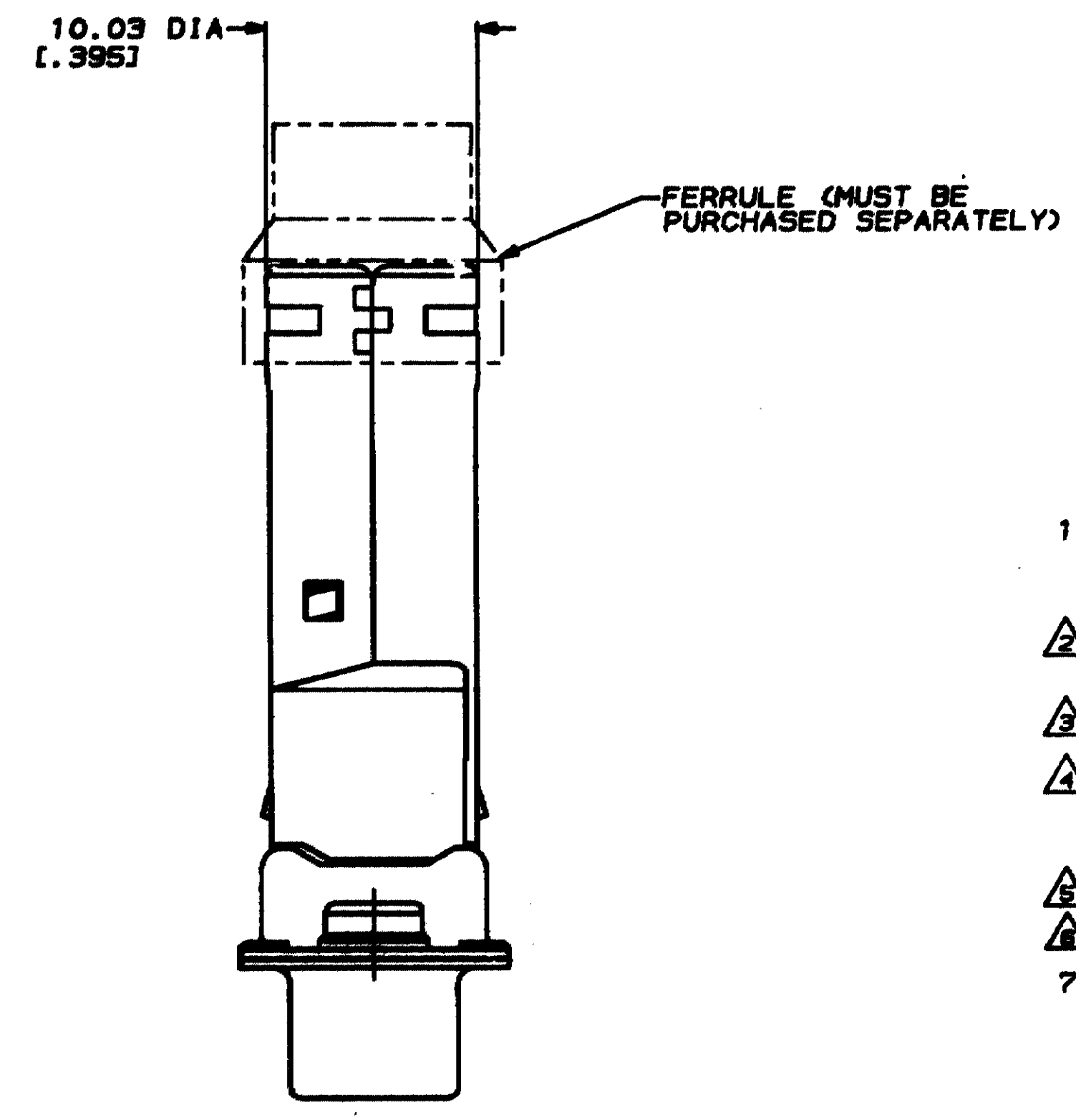
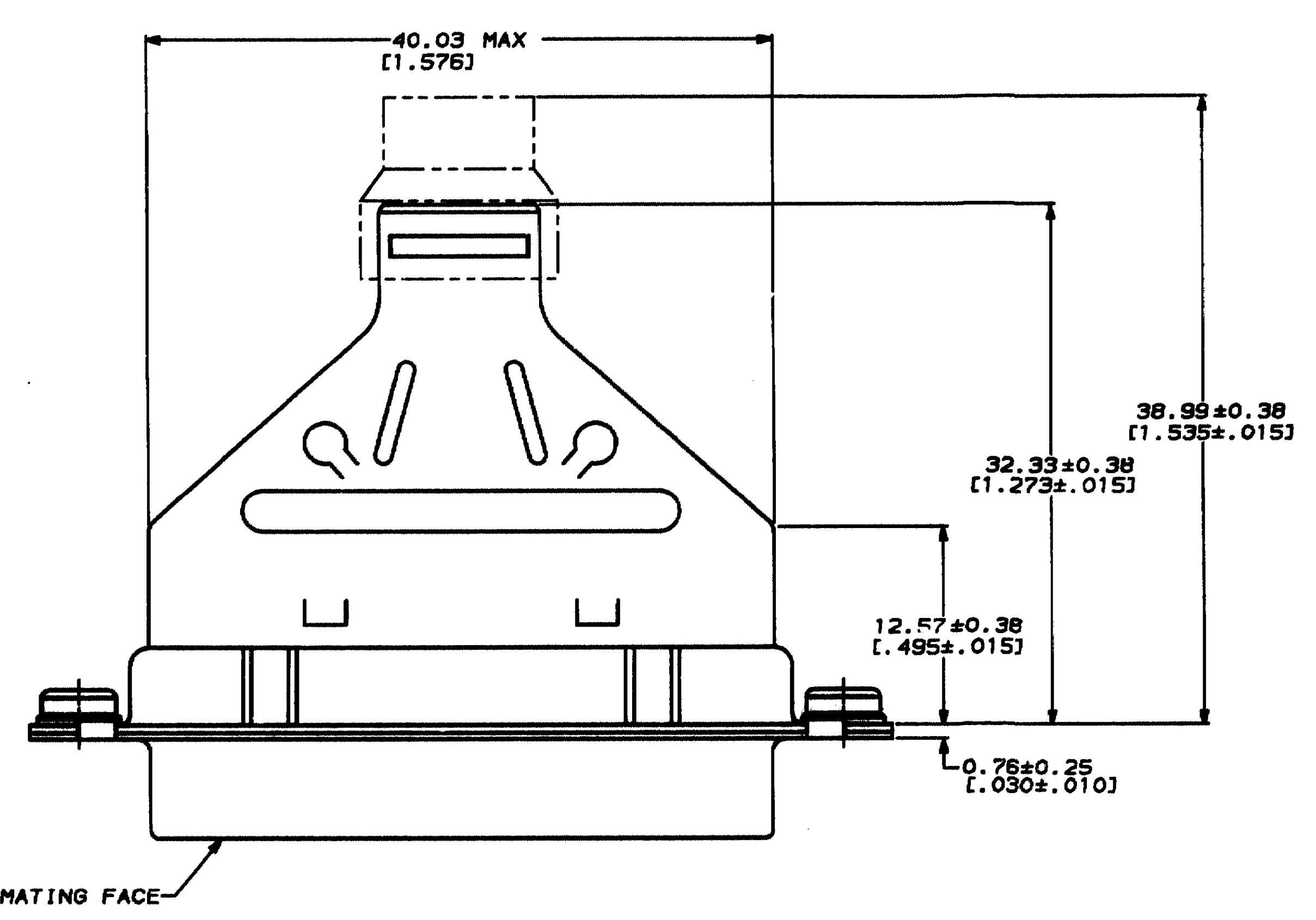
Tel: +86-755-8981 8866 Fax: +86-755-8427 6832

Email & Skype: info@chipsmall.com Web: www.chipsmall.com

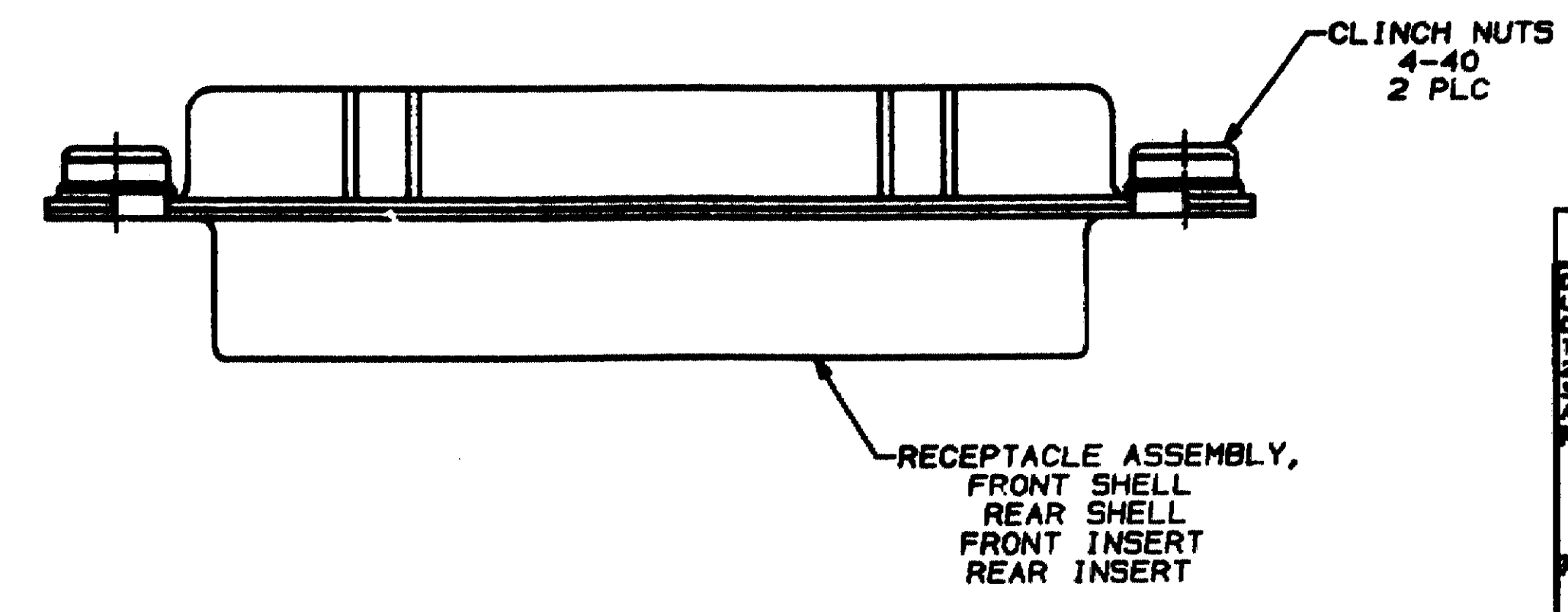
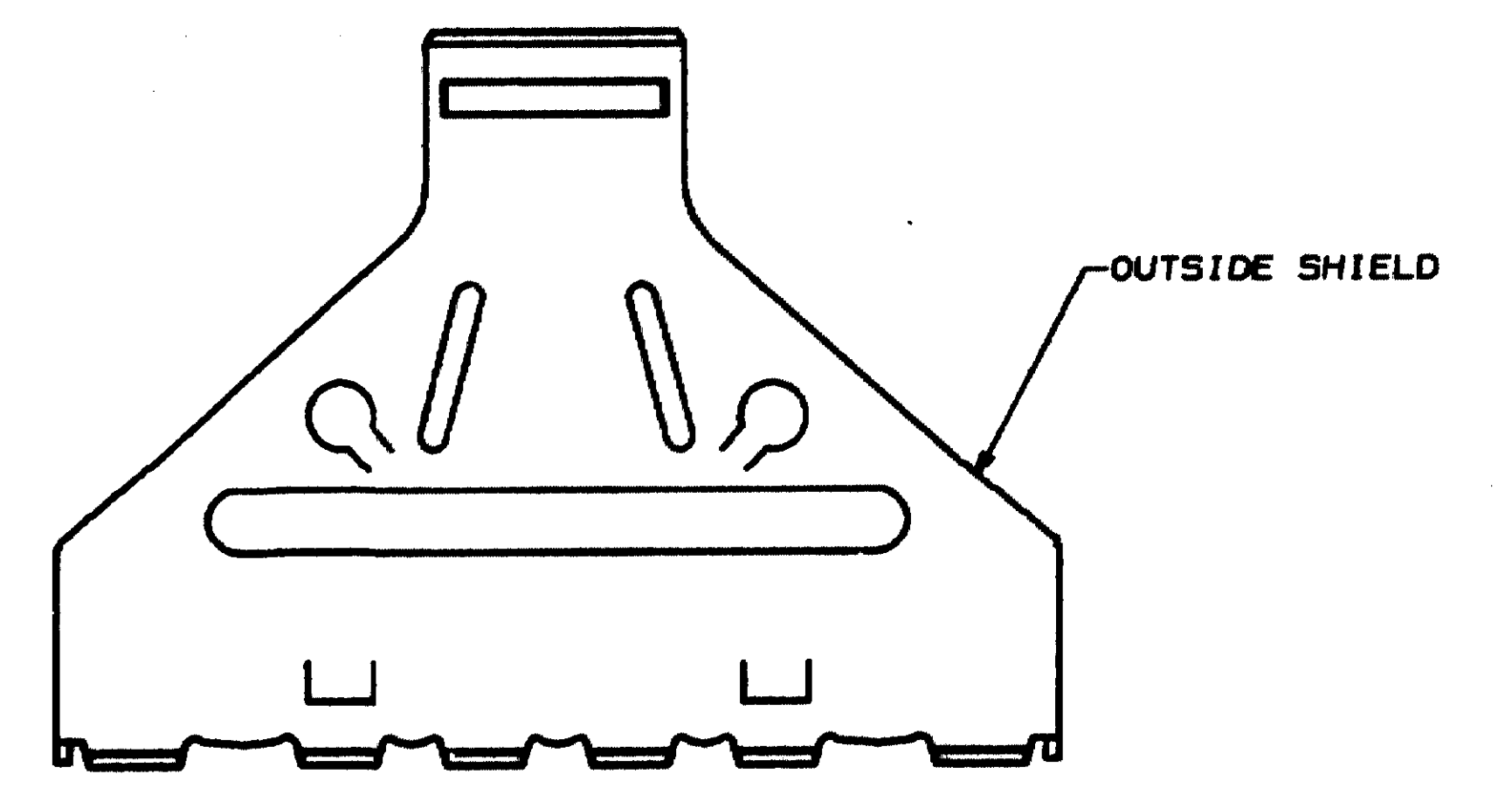
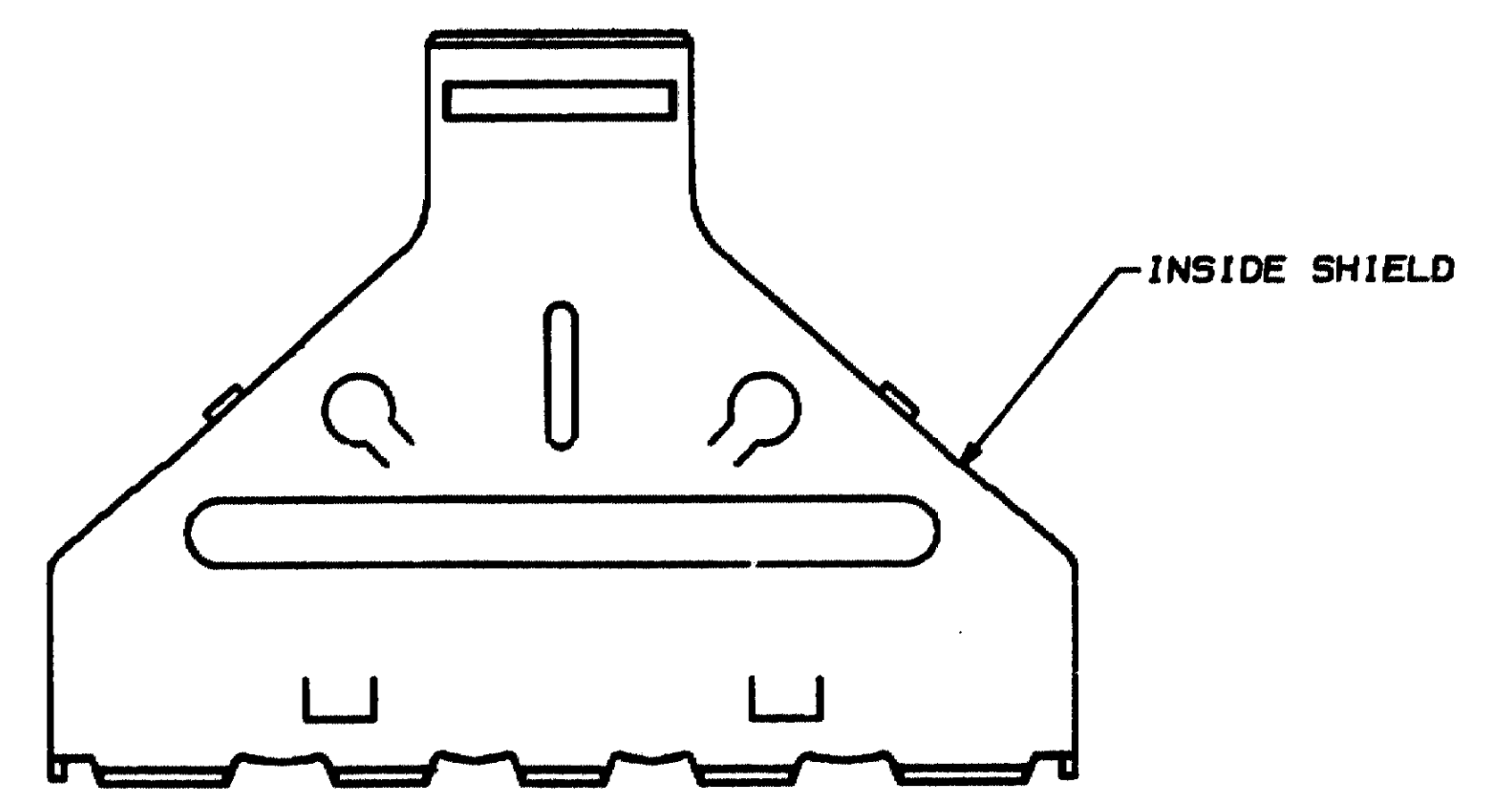
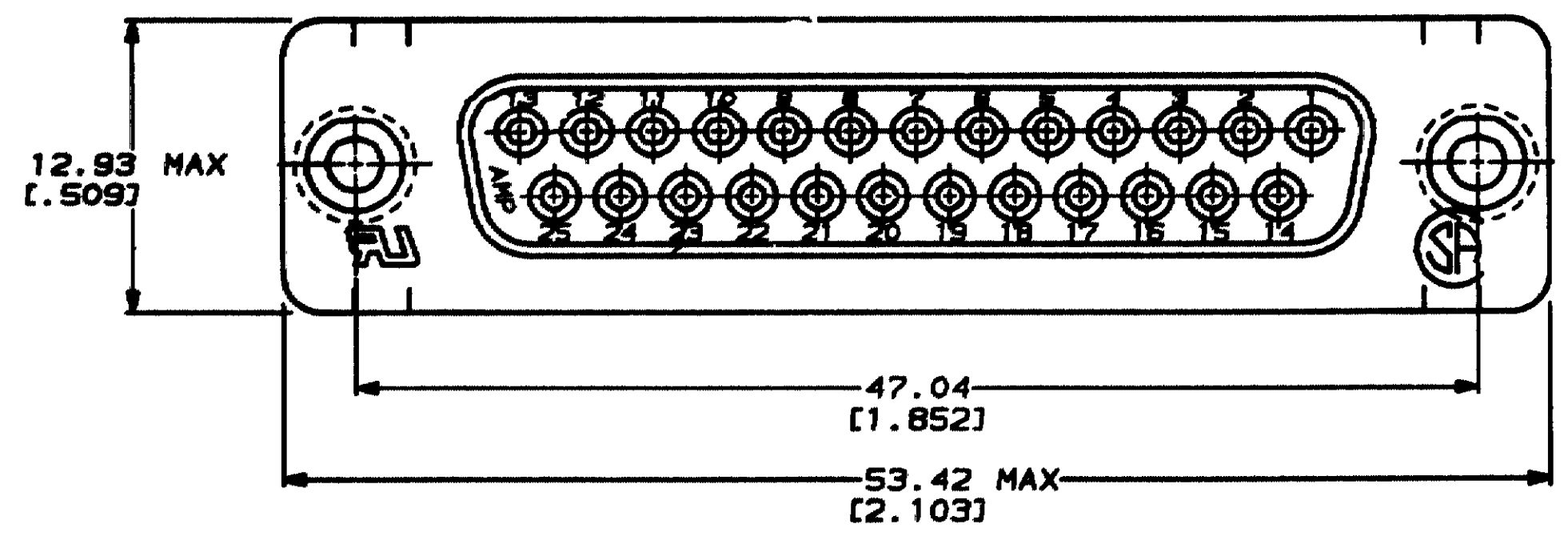
Address: A1208, Overseas Decoration Building, #122 Zhenhua RD., Futian, Shenzhen, China



REVISE		DATE		DESCRIPTION		DATE	APPD
BY	CHK	BY	CHK	BY	CHK		
8	BD	39		0	RLSE PER NPR 2451, WAS 87-5788-7-1	08/07/89	-
				A	REV PER ECN BD4493	12/17/89	-



- RECEPTACLE ACCEPTS SIZE 20 PIN CONTACTS, CONTACTS MUST BE ORDERED SEPARATELY. ASSEMBLY MATES WITH ANY 25 POSN PLUG IN AMPLIMITE® SERIES.
- NYLON, FLAME RETARDANT, UL 94V-0 RATEJ, GLASS FILLED, BLACK.
- CARBON STEEL PER ASTM A 109.
- TIN PLATING PER MIL-T-10727, COPPER PLATING PER MIL-C-14550, ZINC PLATING PER ASTM B633, TYPE III, CLASS 5C1, CLEAR CHROMATE.
- 5.08µm [0.000200] MIN TIN OVER 1.27µm [0.000050] MIN COPPER.
- ZINC PLATED.
- EACH PART INDIVIDUALLY BULK PACKED.



RECEPTACLE ASSEMBLY,
 FRONT SHELL
 REAR SHELL
 FRONT INSERT
 REAR INSERT

DO NOT SCALE PRINT. UNLESS SPECIFIED DIMENSIONS IN mm [INCHES] TOLERANCES ON: 2 PLC DEC ± 0.13[0.005] 5 PLC DEC ± 0.025 [0.001] ANGLES ± 2°		DR 06/07/89 L.SIPE		749763-1 PART NO	
CHK 6-28-89 M.G. LENKER		APPD 6-25-89 R. WYNE		AMP INCORPORATED Murrysburg, Pa. 17108	
APPD 6-25-89 J. SHONERS		PRODUCT SPEC 108-40030		RECEPTACLE KIT, UNASSEMBLED, WITH CLINCH NUTS, SIZE 3, 25 POSITION, SHIELDING HARDWARE, AMPLIMITE, HDP-20®	
APPLICATION SPEC 114-40007		SIZE D	CAGE CODE 00779	DRAWING NO 749763	
SCALE 4:1		SHEET 1 OF 1		CUSTOMER DRAWING	