



Chipsmall Limited consists of a professional team with an average of over 10 year of expertise in the distribution of electronic components. Based in Hongkong, we have already established firm and mutual-benefit business relationships with customers from,Europe,America and south Asia,supplying obsolete and hard-to-find components to meet their specific needs.

With the principle of “Quality Parts,Customers Priority,Honest Operation,and Considerate Service”,our business mainly focus on the distribution of electronic components. Line cards we deal with include Microchip,ALPS,ROHM,Xilinx,Pulse,ON,Everlight and Freescale. Main products comprise IC,Modules,Potentiometer,IC Socket,Relay,Connector.Our parts cover such applications as commercial,industrial, and automotives areas.

We are looking forward to setting up business relationship with you and hope to provide you with the best service and solution. Let us make a better world for our industry!



Contact us

Tel: +86-755-8981 8866 Fax: +86-755-8427 6832

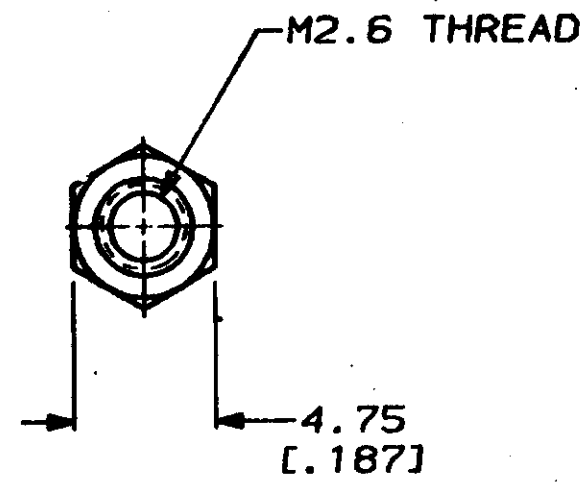
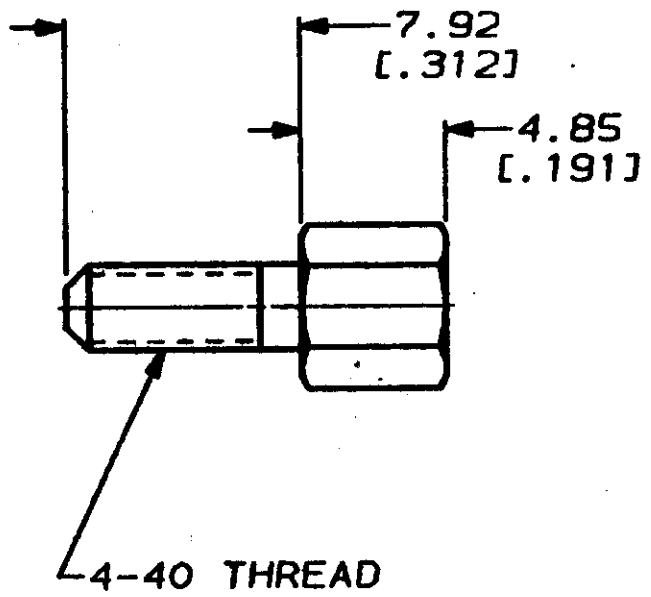
Email & Skype: info@chipsmall.com Web: www.chipsmall.com

Address: A1208, Overseas Decoration Building, #122 Zhenhua RD., Futian, Shenzhen, China



THIS DRAWING IS UNPUBLISHED. RELEASED FOR PUBLICATION .19
 © COPYRIGHT 19 BY AMP INCORPORATED. ALL INTERNATIONAL RIGHTS RESERVED.

REV	LOC	QTY	P	F	ZONE	LTR	DESCRIPTION	DATE	APPD
2	BD	39				0	RLSE PER NPR 2454, WAS 89-5898-11	08/18/89	-
			✓	✓		A	OBSOLETE -2 PER ECN BD5374	08/12/91	NS



- ① 3.81µm [.000150] MIN ZINC PLATE PER ASTM B633, TYPE II, CLASS SC1, YELLOW CHROMATE.
- ② 3.81µm [.000150] MIN ZINC PLATE PER ASTM B633, TYPE III, CLASS SC1, CLEAR CHROMATE.

	②	749765-3
OBSOLETE	①	749765-2
	FINISH	PART NO

DO NOT SCALE PRINT. UNLESS SPECIFIED DIMENSIONS IN mm (INCHES) TOLERANCES ON: 2 PLC DEC ± 0.13 (.005) 3 PLC DEC ± - ANGLES ± 2°		DR 08/16/89 L. SIFE CHK 8-20-89 R. STONE APPD 8-20-89 J. MESTRAH APPD 8-20-89 J. SIMERS PRODUCT SPEC APPLICATION SPEC WEIGHT -		AMP INCORPORATED Harrisburg, Pa. 17105 NAME SCREWLOCK, M2.6 FEMALE, AMPLIMITE®	
MATERIAL CARBON STEEL PER ASTM A109		SIZE	CAGE CODE	DRAWING NO	
FINISH SEE TABLE		B	00779	749765	
		SCALE	4:1	SHEET 1 OF 1	

CUSTOMER DRAWING