



Chipsmall Limited consists of a professional team with an average of over 10 year of expertise in the distribution of electronic components. Based in Hongkong, we have already established firm and mutual-benefit business relationships with customers from,Europe,America and south Asia,supplying obsolete and hard-to-find components to meet their specific needs.

With the principle of "Quality Parts,Customers Priority,Honest Operation,and Considerate Service",our business mainly focus on the distribution of electronic components. Line cards we deal with include Microchip,ALPS,ROHM,Xilinx,Pulse,ON,Everlight and Freescale. Main products comprise IC,Modules,Potentiometer,IC Socket,Relay,Connector.Our parts cover such applications as commercial,industrial, and automotives areas.

We are looking forward to setting up business relationship with you and hope to provide you with the best service and solution. Let us make a better world for our industry!



Contact us

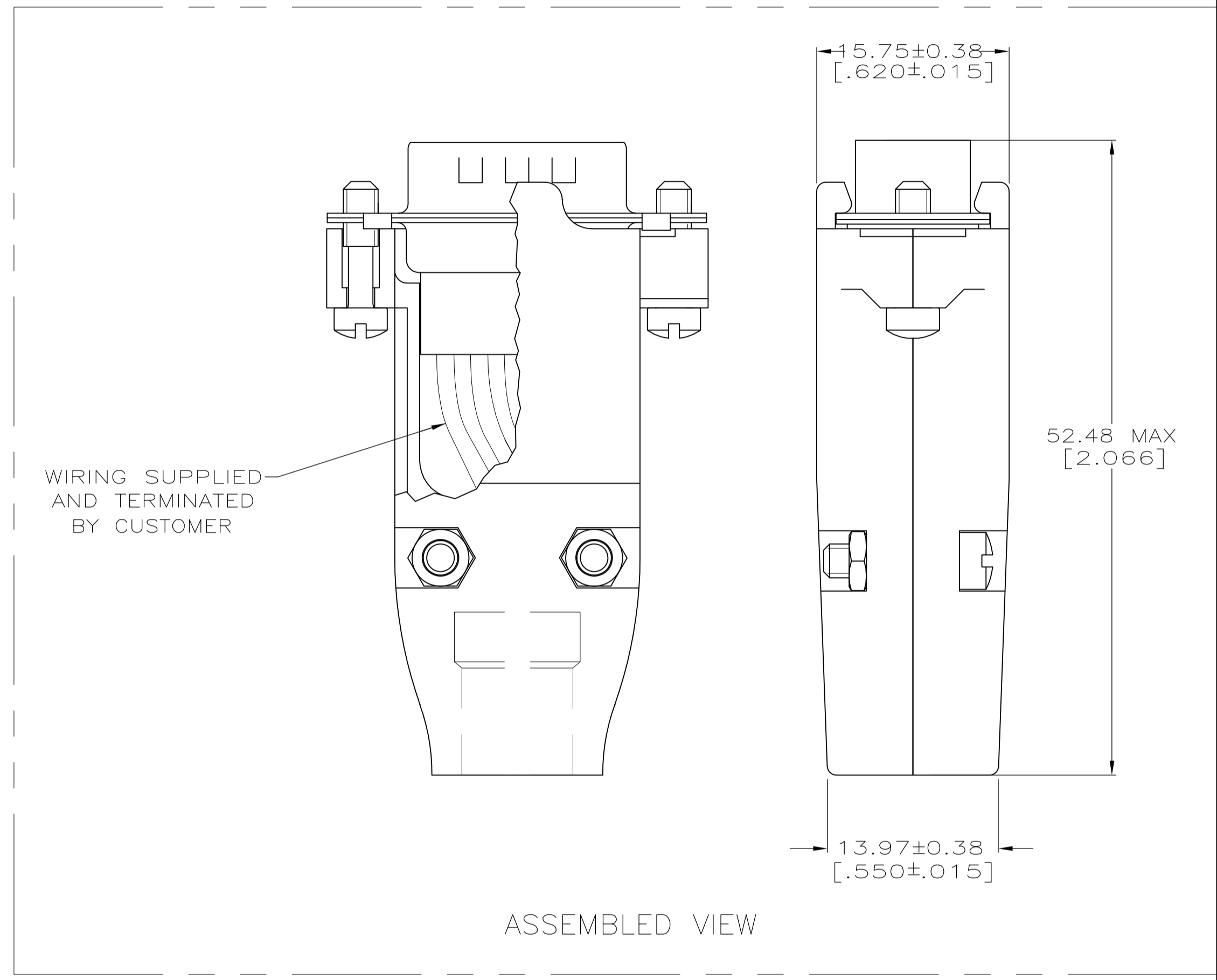
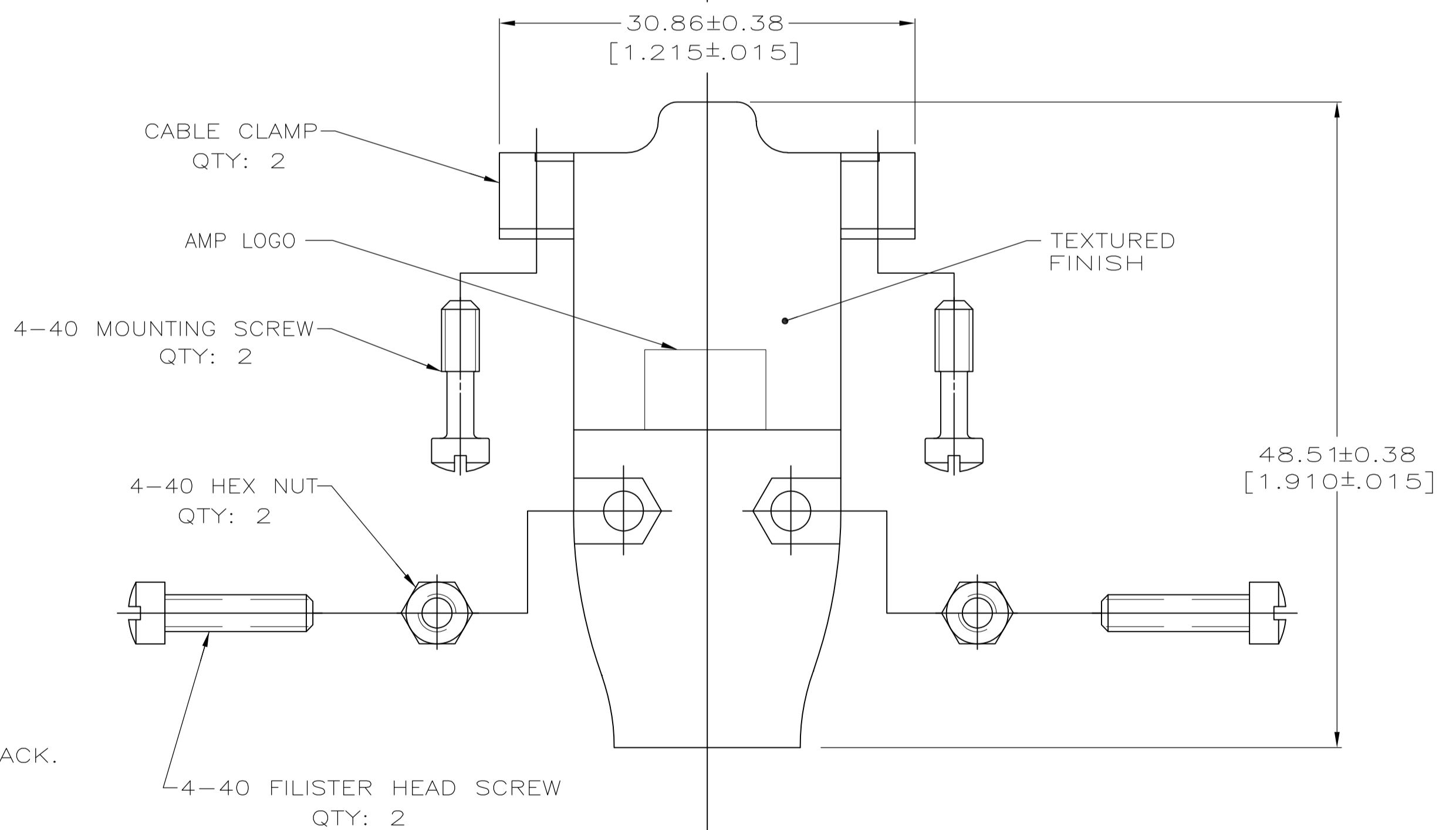
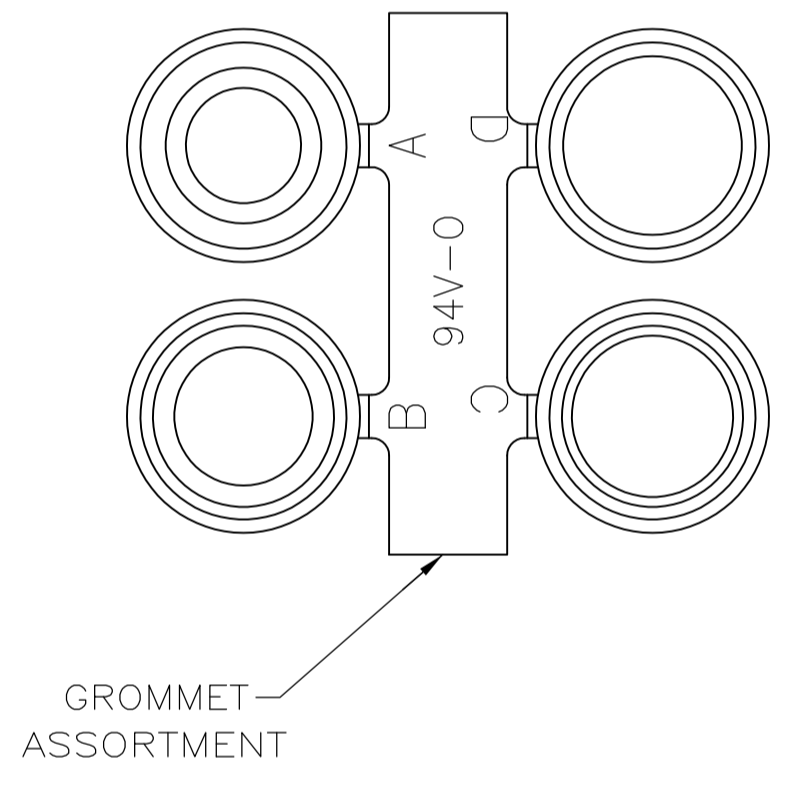
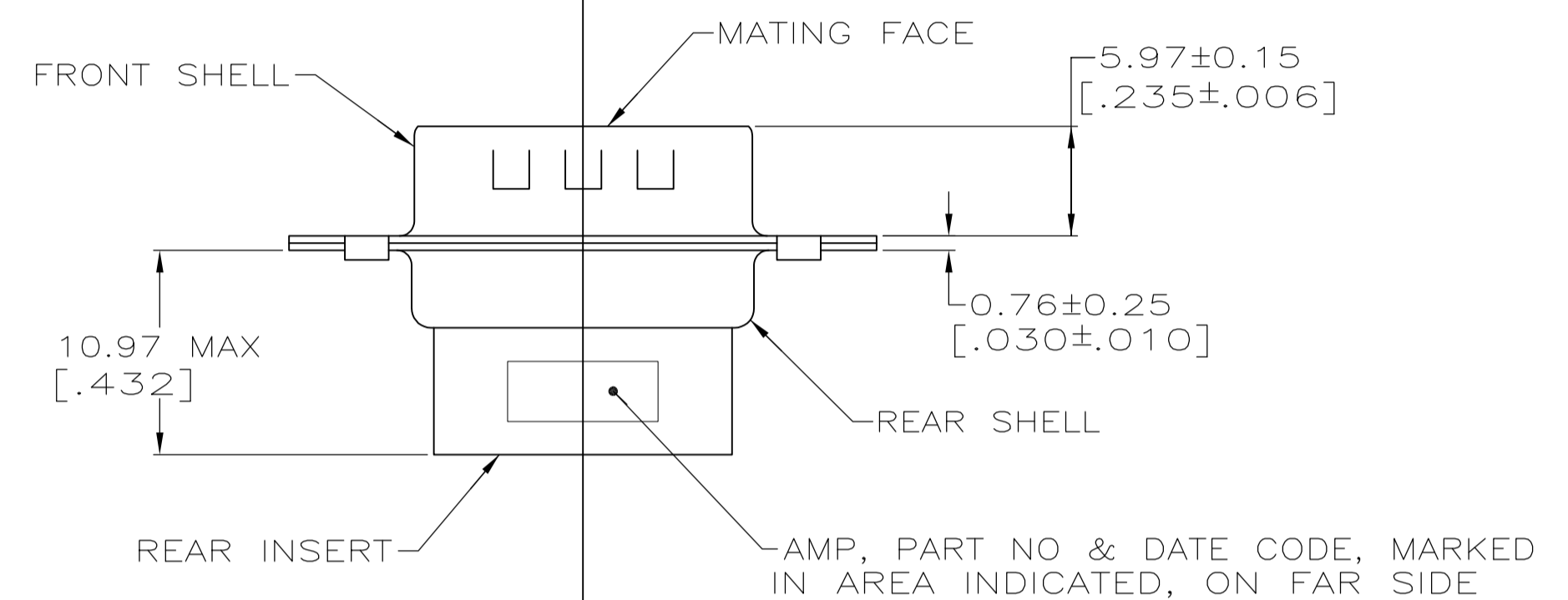
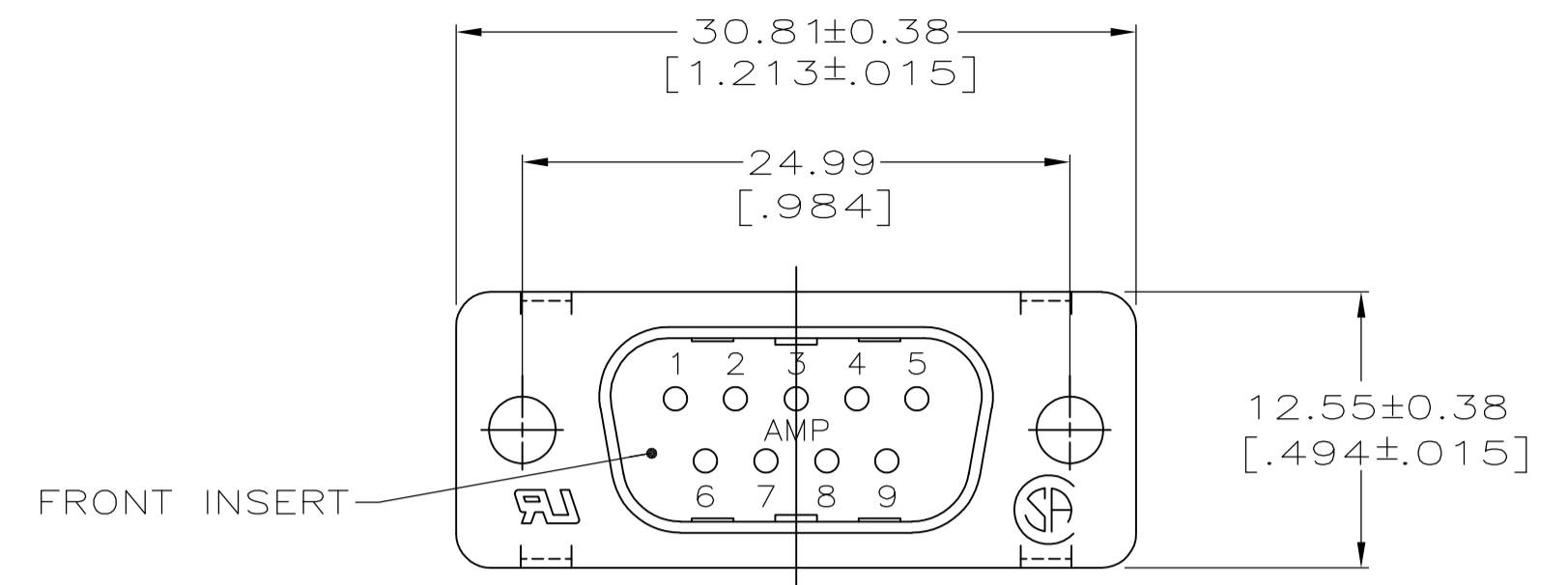
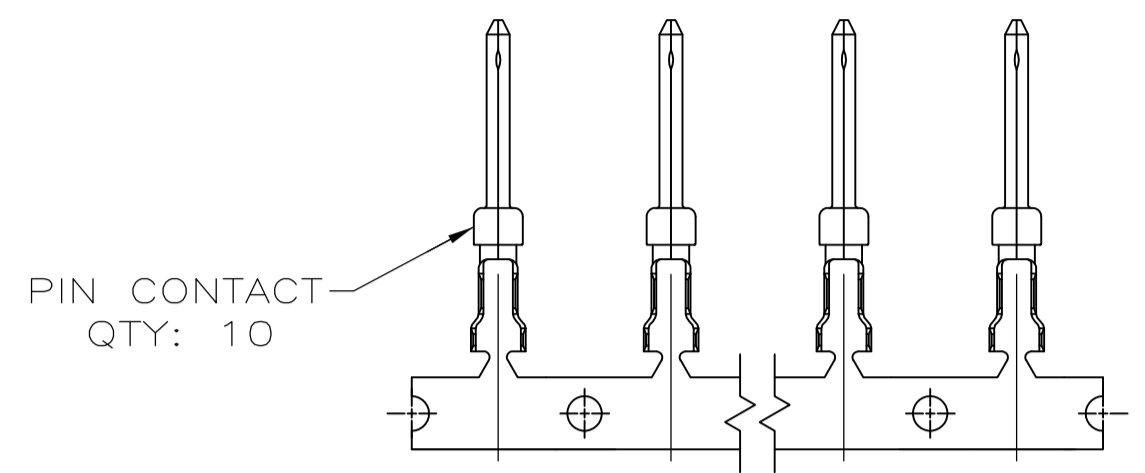
Tel: +86-755-8981 8866 Fax: +86-755-8427 6832

Email & Skype: info@chipsmall.com Web: www.chipsmall.com

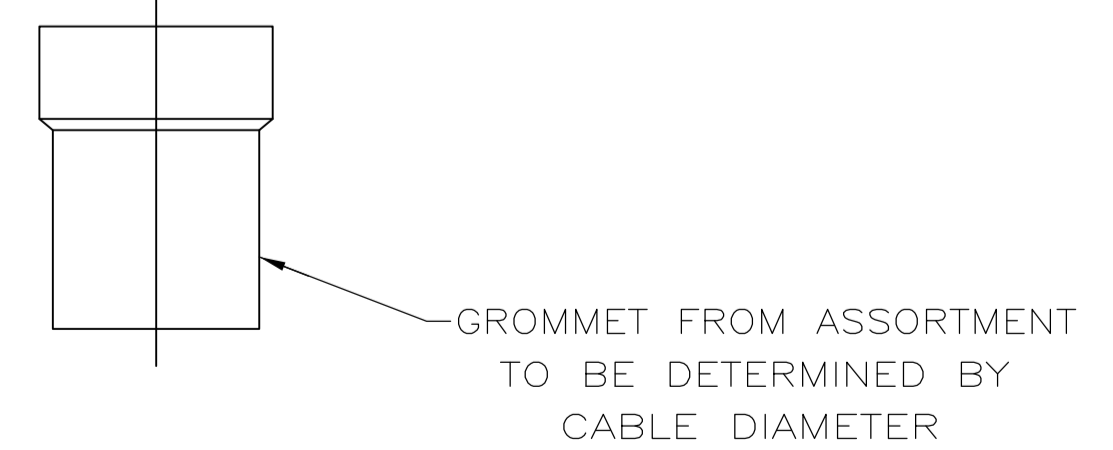
Address: A1208, Overseas Decoration Building, #122 Zhenhua RD., Futian, Shenzhen, China



LOC		DIST		REVISIONS			
P	LTR	DESCRIPTION	DATE	DN	APVD		
B1		REVISED PER ECO-11-004835	11MAR11	RK	HMR		



1. CONTACTS ACCEPT 24-20 AWG RANGE.
2. INSERTS: NYLON, GLASS FILLED, UL 94V-0 RATED, BLACK.
3. GROMMETTS: PVC, UL 94V-0 RATED, BLACK.
4. CONTACTS: BRASS.
5. SHELLS: CARBON STEEL.
6. CABLE CLAMPS: ZINC; SCREWS & NUTS: CARBON STEEL.
7. CONTACTS: GOLD FLASH FOR A LENGTH OF 3.81[.150] MIN FROM MATING END, 2.54µm[.000100] MIN TIN ON OPPOSITE END FOR A LENGTH OF 4.06 [.160] MIN FROM END OF INSULATION BARREL, BOTH OVER 0.76µm[.000030] MIN NICKEL ON ENTIRE CONTACT.
8. SHELLS: 5.08µm[.000200] MIN TIN OVER 2.54µm[.000100] MIN COPPER.
9. MOUNTING SCREWS & NUTS: 3.81µm[.000150] MIN ZINC, CLEAR CHROMATE COATED; FILISTER HEAD SCREWS: ZINC, CLEAR CHROMATE COATED.
10. CABLE CLAMP: NICKEL OVER COPPER.



749805-7
PART NO

THIS DRAWING IS A CONTROLLED DOCUMENT.		DIN	J. REITZEL	1AUG03	 TE Connectivity
DIMENSIONS: mm [INCHES]		CHK	S. BOLASH	1AUG03	
TOLERANCES UNLESS OTHERWISE SPECIFIED:		APP'D	M. WAMSLEY	1AUG03	
0. PLC ± -		NAME	PLUG KIT, UNASSEMBLED, SIZE 1, 9 POSN, METAL SHELL, AMPLIMITE™ HDP-20		
1. PLC ± -		PRODUCT SPEC	108-40005		
2. PLC ± 0.13[.005]		APPLICATION SPEC	114-40030		
3. PLC ± -		SIZE	A1		
4. PLC ± -		CAGE CODE	00779		
ANGLES ± -		DRAWING NO	749805-7		
MATERIAL	FINISH	WEIGHT	-		
CUSTOMER DRAWING		SCALE	2:1		
		SHEET	1 OF 1		
		REV	B1		