



Chipsmall Limited consists of a professional team with an average of over 10 year of expertise in the distribution of electronic components. Based in Hongkong, we have already established firm and mutual-benefit business relationships with customers from,Europe,America and south Asia,supplying obsolete and hard-to-find components to meet their specific needs.

With the principle of “Quality Parts,Customers Priority,Honest Operation,and Considerate Service”,our business mainly focus on the distribution of electronic components. Line cards we deal with include Microchip,ALPS,ROHM,Xilinx,Pulse,ON,Everlight and Freescale. Main products comprise IC,Modules,Potentiometer,IC Socket,Relay,Connector.Our parts cover such applications as commercial,industrial, and automotives areas.

We are looking forward to setting up business relationship with you and hope to provide you with the best service and solution. Let us make a better world for our industry!



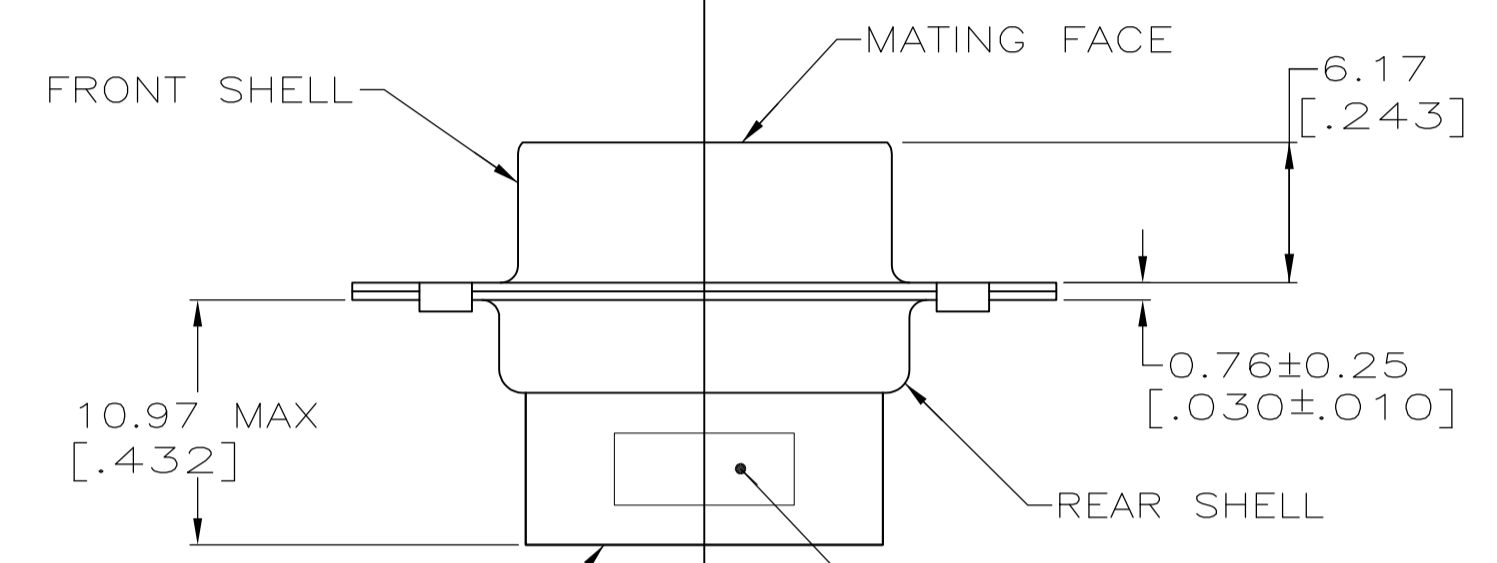
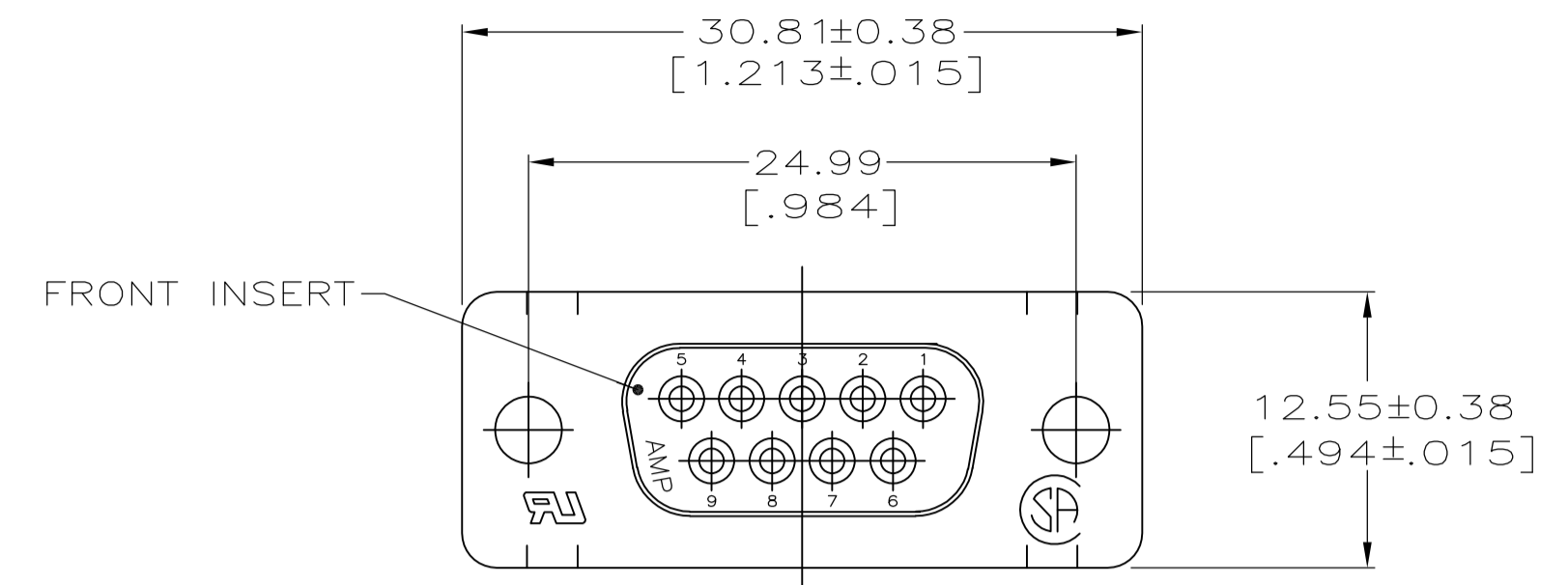
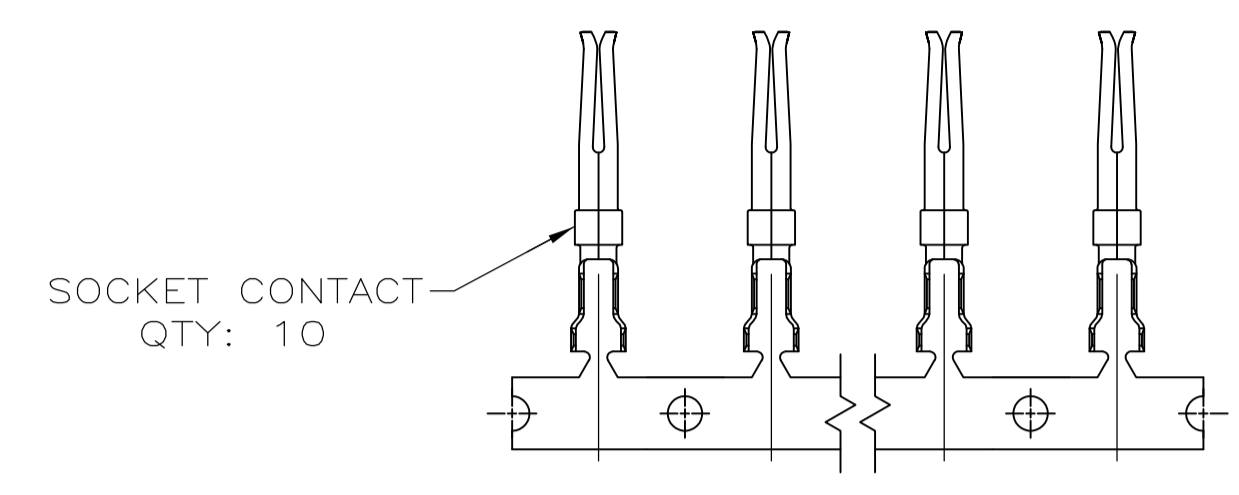
Contact us

Tel: +86-755-8981 8866 Fax: +86-755-8427 6832

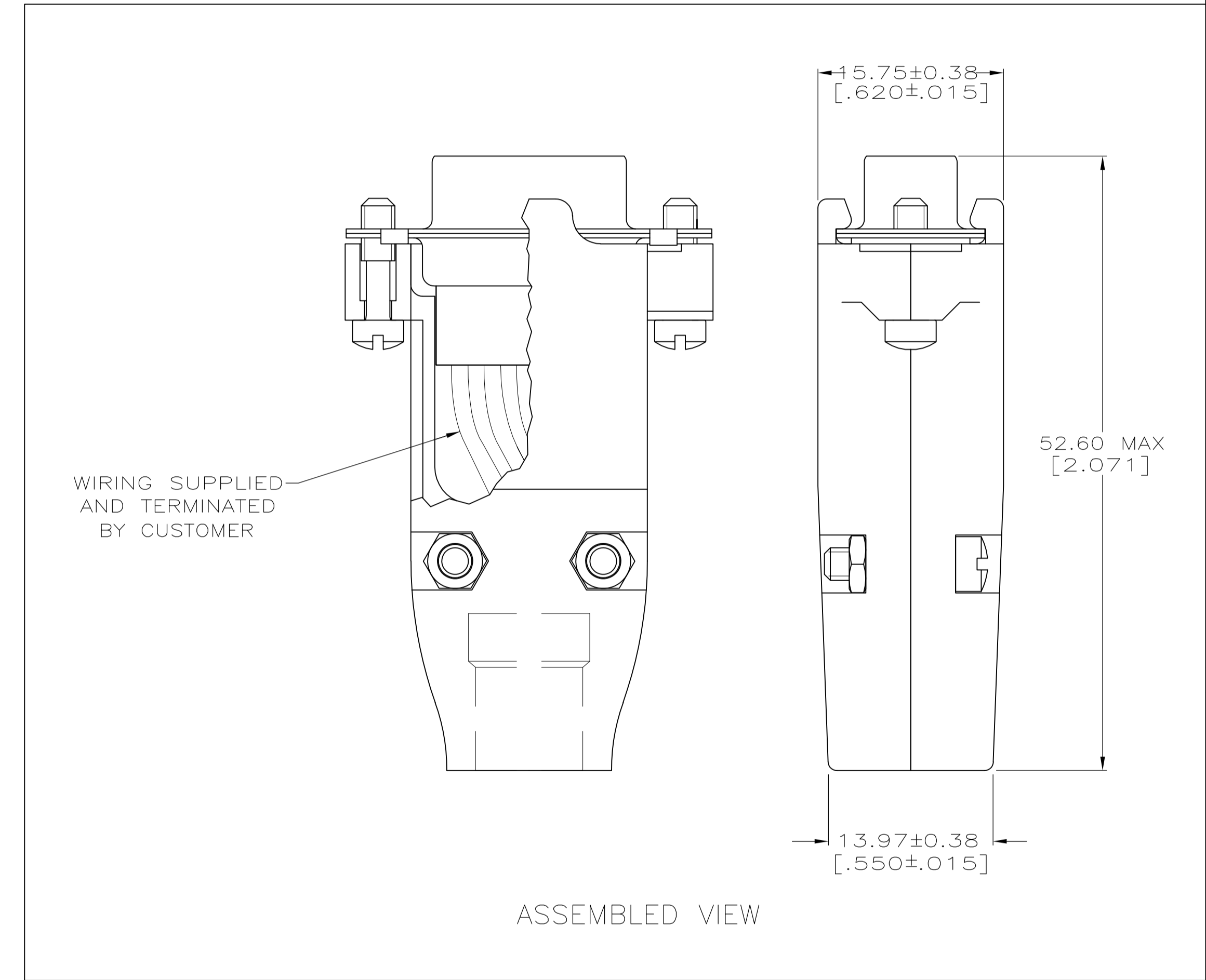
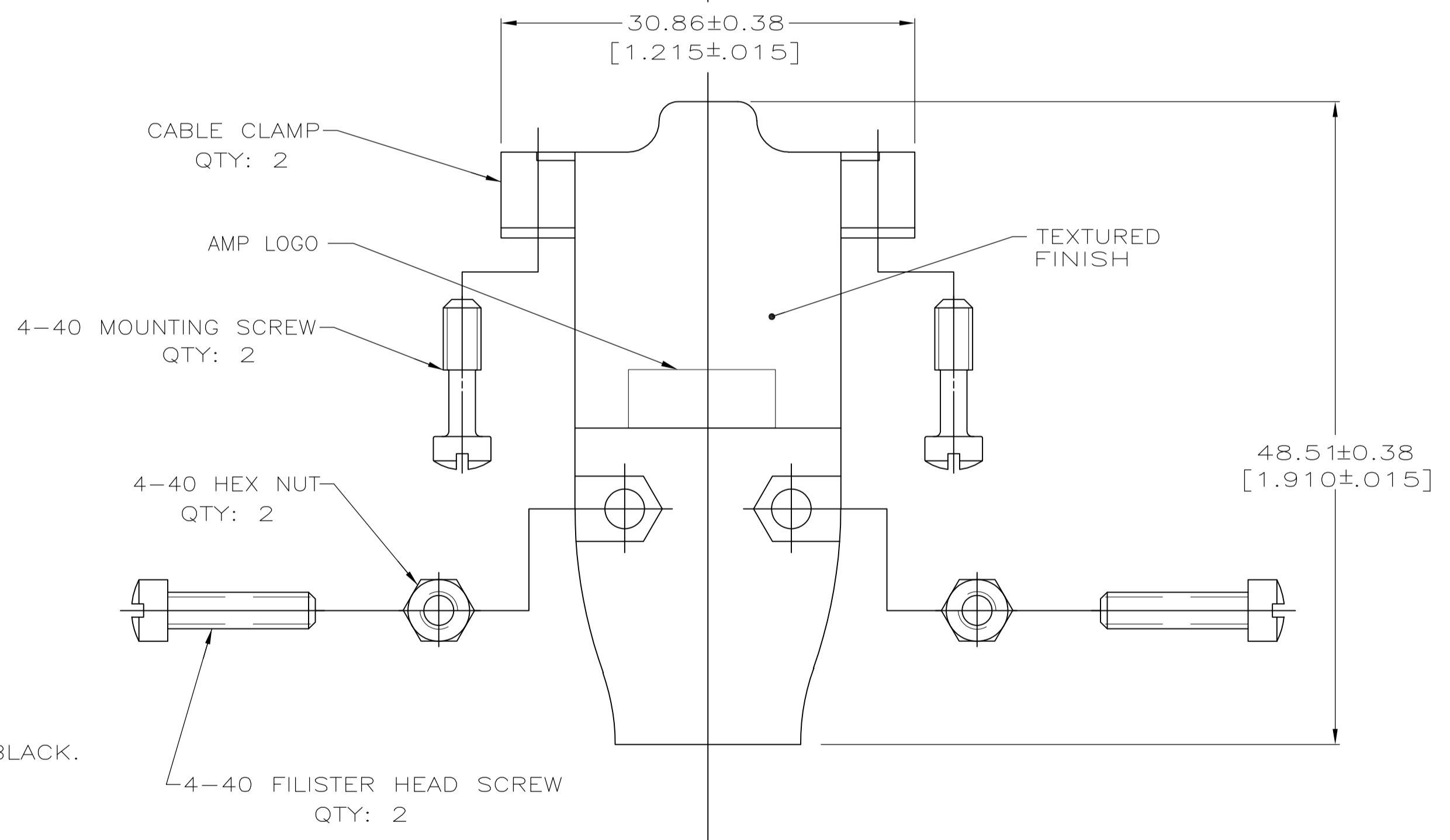
Email & Skype: info@chipsmall.com Web: www.chipsmall.com

Address: A1208, Overseas Decoration Building, #122 Zhenhua RD., Futian, Shenzhen, China





REAR INSERT AMP. PART NO & DATE CODE, MARKED IN AREA INDICATED, ON FAR SIDE



ASSEMBLED VIEW

- 1 CONTACTS ACCEPT 24-20 AWG RANGE.
- 2 INSERTS: NYLON, GLASS FILLED, UL 94V-0 RATED, BLACK.
- 3 GROMMETS: PVC, UL 94V-0 RATED, BLACK.
- 4 CONTACTS: PHOSPHOR BRONZE.
- 5 SHELL: CARBON STEEL.
- 6 CABLE CLAMPS: ZINC; SCREWS & NUTS: CARBON STEEL.
- 7 CONTACTS: GOLD FLASH FOR A LENGTH OF 2.54[.100] MIN FROM MATING END, 2.54µm[.000100] MIN TIN ON OPPOSITE END FOR A LENGTH OF 4.06 [.160] MIN FROM END OF INSULATION BARREL, BOTH OVER 0.76µm[.000030] MIN NICKEL ON ENTIRE CONTACT.
- 8 SHELLS: 5.08µm[.000200] MIN TIN OVER 2.54µm[.000100] MIN COPPER.
- 9 MOUNTING SCREWS & NUTS: 3.81µm[.000150] MIN ZINC, CLEAR CHROMATE COATED. FILISTER HEAD SCREWS: ZINC, CLEAR CHROMATE COATED.
- 10 CABLE CLAMPS: NICKEL OVER COPPER.

GROMMET FROM ASSORTMENT TO BE DETERMINED BY CABLE DIAMETER

749806-7
PART NUMBER

THIS DRAWING IS A CONTROLLED DOCUMENT.		DIN J. REITZEL 1AUG03	STE TE Connectivity	
DIMENSIONS: mm [INCHES]		CHK S. BOLASH 1AUG03	NAME RECEPTACLE KIT, UNASSEMBLED, SIZE 1, 9 POSN, METAL SHELL, AMPLIMITE, HDP-20	
TOLERANCES UNLESS OTHERWISE SPECIFIED:		APP'D M. WAMSLEY 1AUG03	PRODUCT SPEC 108-40005	
0 PLC ± -		APPLICATION SPEC 114-40030		
1 PLC ± ±		SIZE A1		
2 PLC ± ± 0.13[.005]		CAGE CODE 00779		
3 PLC ± ±		DRAWING NO 749806-7		
4 PLC ± ±		RESTRICTED TO CUSTOMER DRAWING		
ANGLES ± ±		SCALE 2:1		
MATERIAL		SHEET 1 OF 1		
FINISH		REV B1		