



Chipsmall Limited consists of a professional team with an average of over 10 year of expertise in the distribution of electronic components. Based in Hongkong, we have already established firm and mutual-benefit business relationships with customers from,Europe,America and south Asia,supplying obsolete and hard-to-find components to meet their specific needs.

With the principle of “Quality Parts,Customers Priority,Honest Operation,and Considerate Service”,our business mainly focus on the distribution of electronic components. Line cards we deal with include Microchip,ALPS,ROHM,Xilinx,Pulse,ON,Everlight and Freescale. Main products comprise IC,Modules,Potentiometer,IC Socket,Relay,Connector.Our parts cover such applications as commercial,industrial, and automotives areas.

We are looking forward to setting up business relationship with you and hope to provide you with the best service and solution. Let us make a better world for our industry!



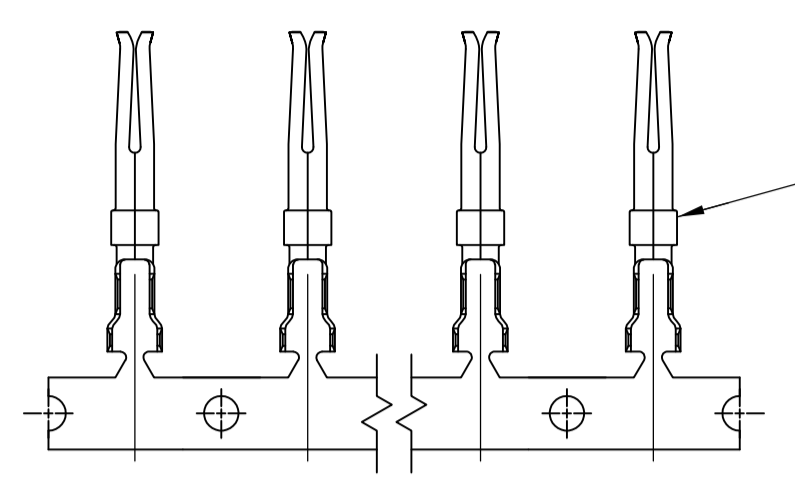
Contact us

Tel: +86-755-8981 8866 Fax: +86-755-8427 6832

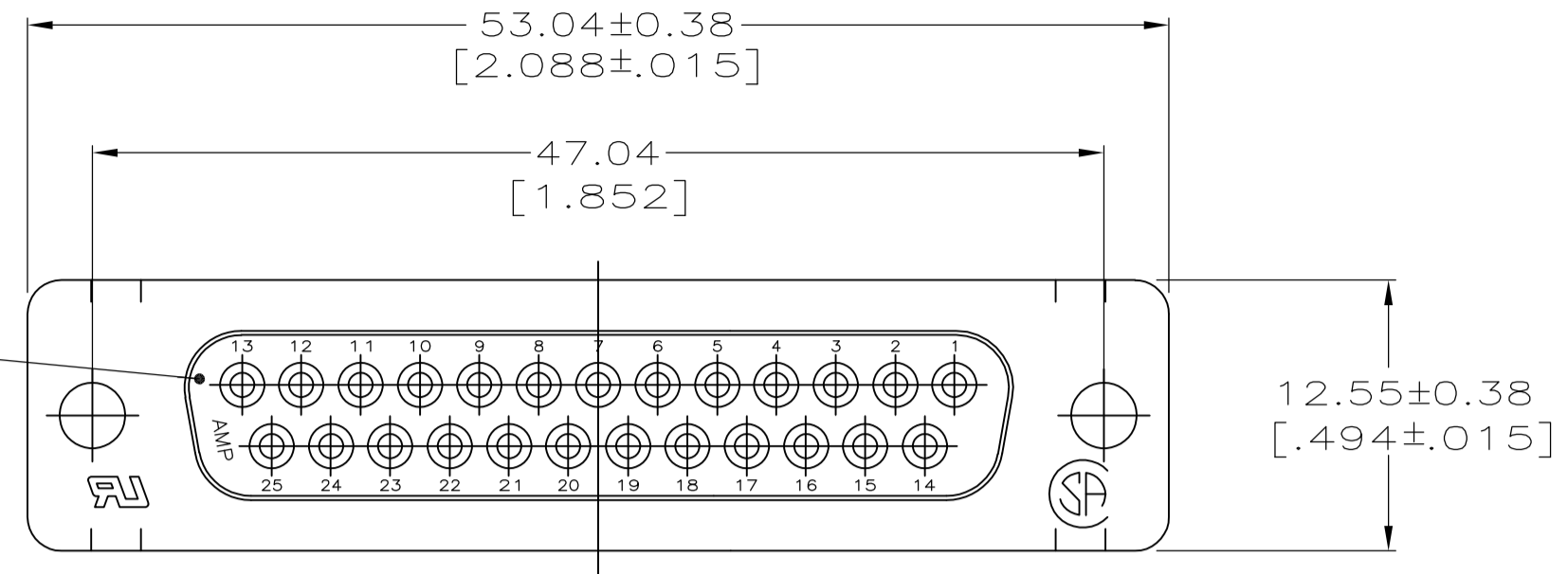
Email & Skype: info@chipsmall.com Web: www.chipsmall.com

Address: A1208, Overseas Decoration Building, #122 Zhenhua RD., Futian, Shenzhen, China

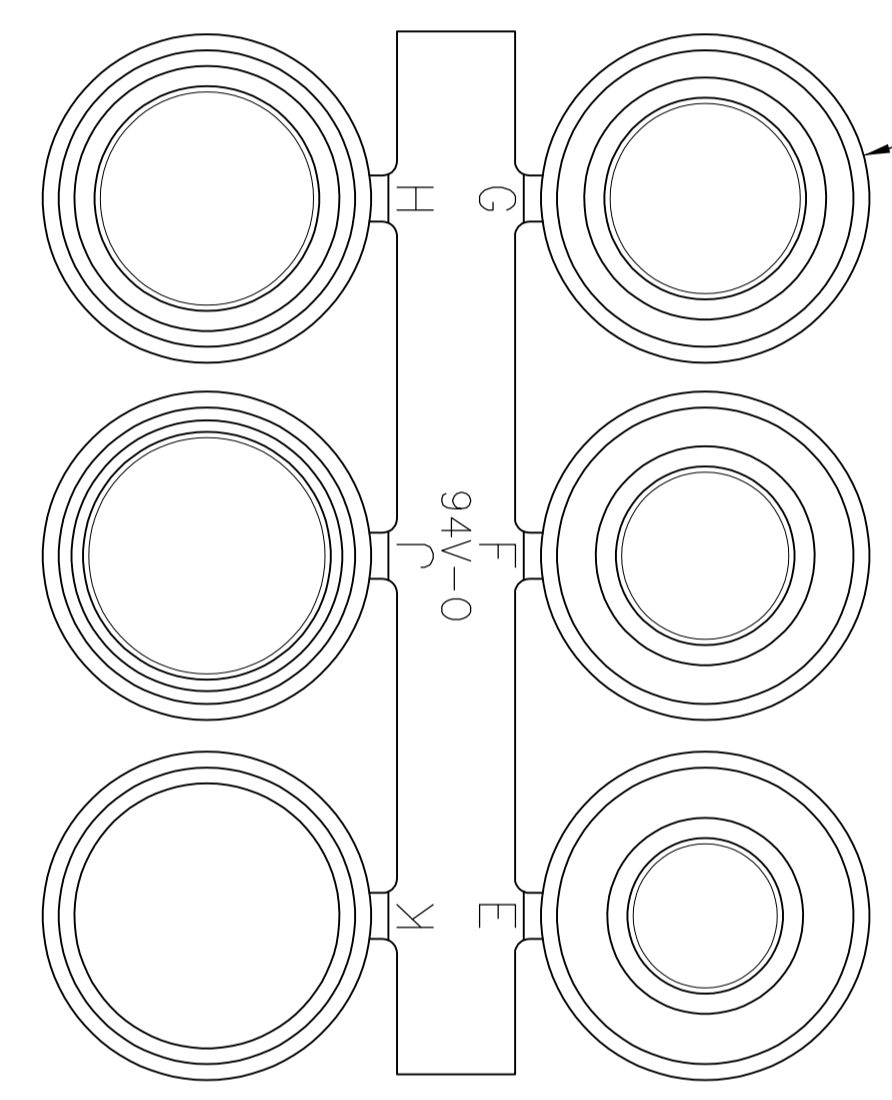




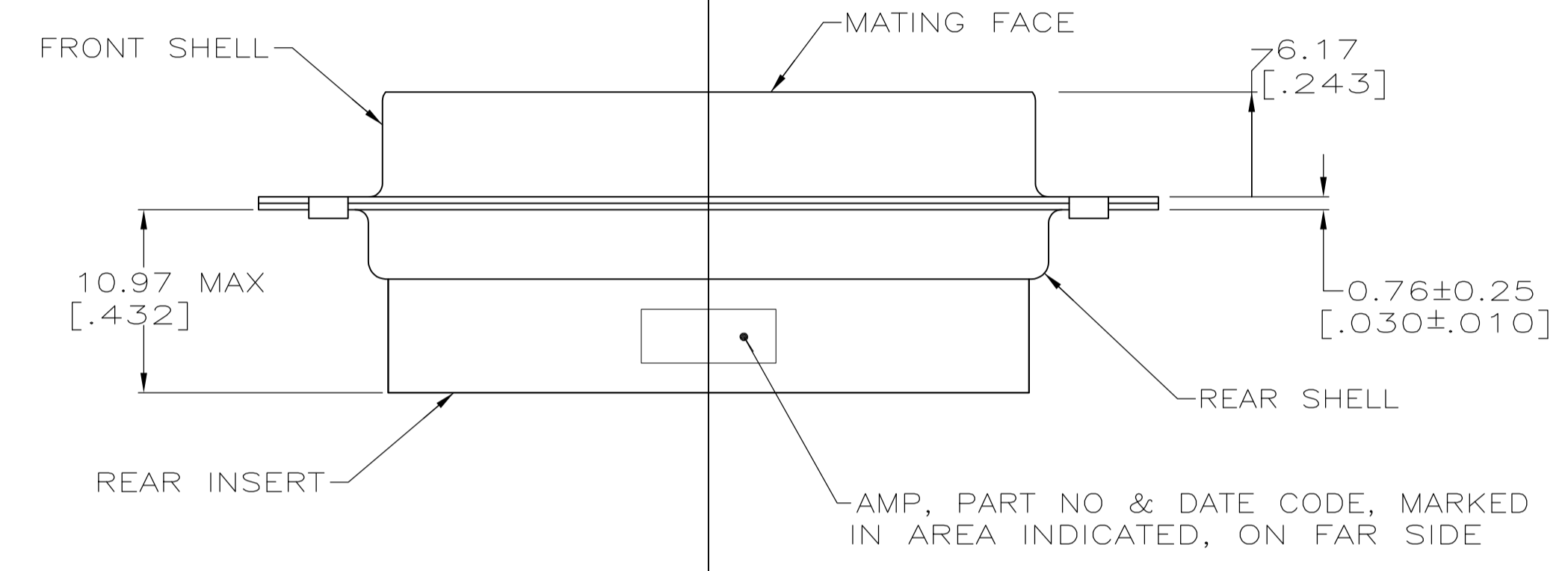
SOCKET CONTACT
QTY: 26



FRONT INSERT



GROMMET ASSORTMENT



FRONT SHELL

MATING FACE

6.17
[.243]

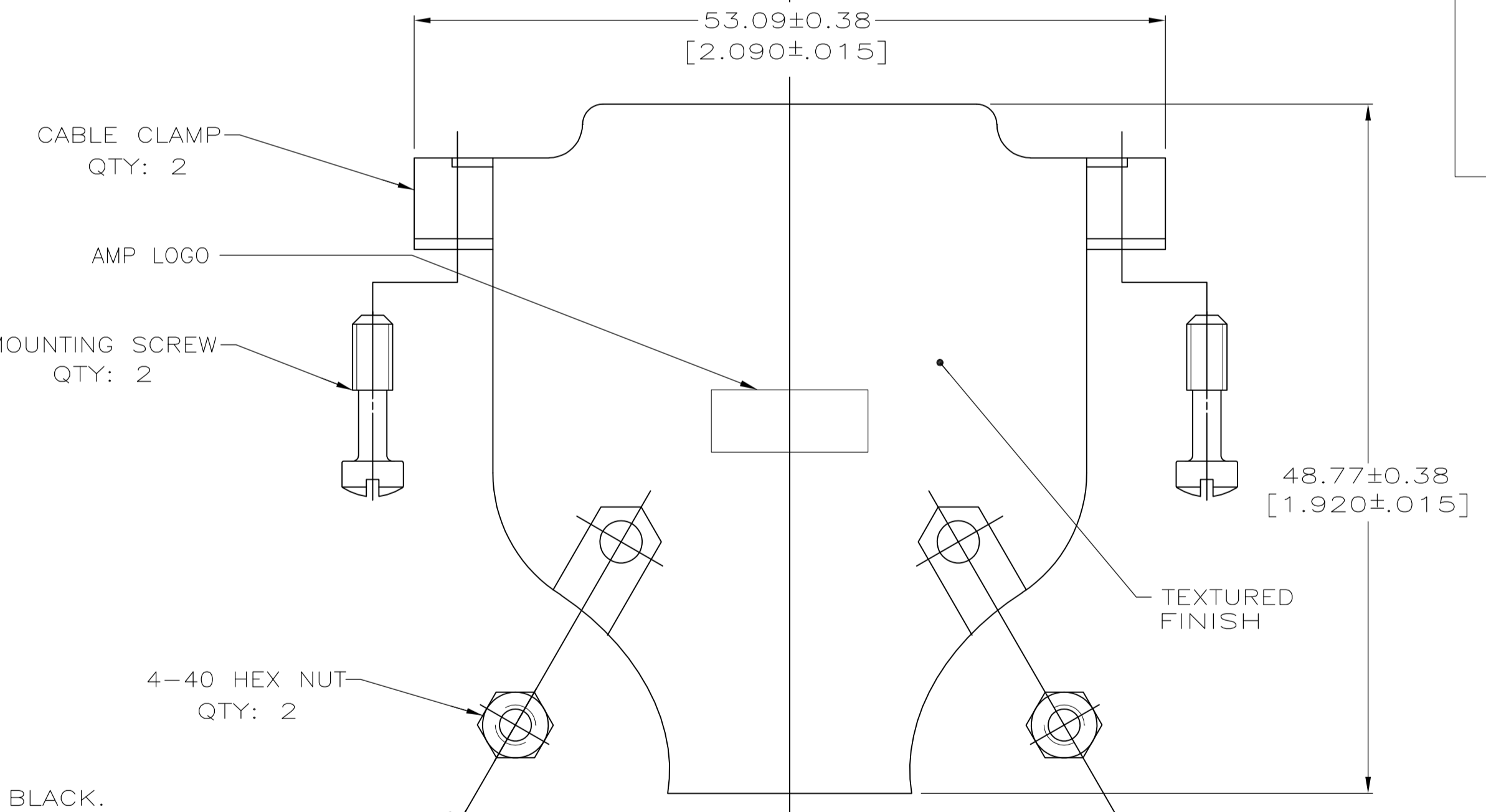
10.97 MAX
[.432]

0.76±0.25
[.030±.010]

REAR SHELL

REAR INSERT

AMP, PART NO & DATE CODE, MARKED IN AREA INDICATED, ON FAR SIDE



CABLE CLAMP
QTY: 2

AMP LOGO

4-40 MOUNTING SCREW
QTY: 2

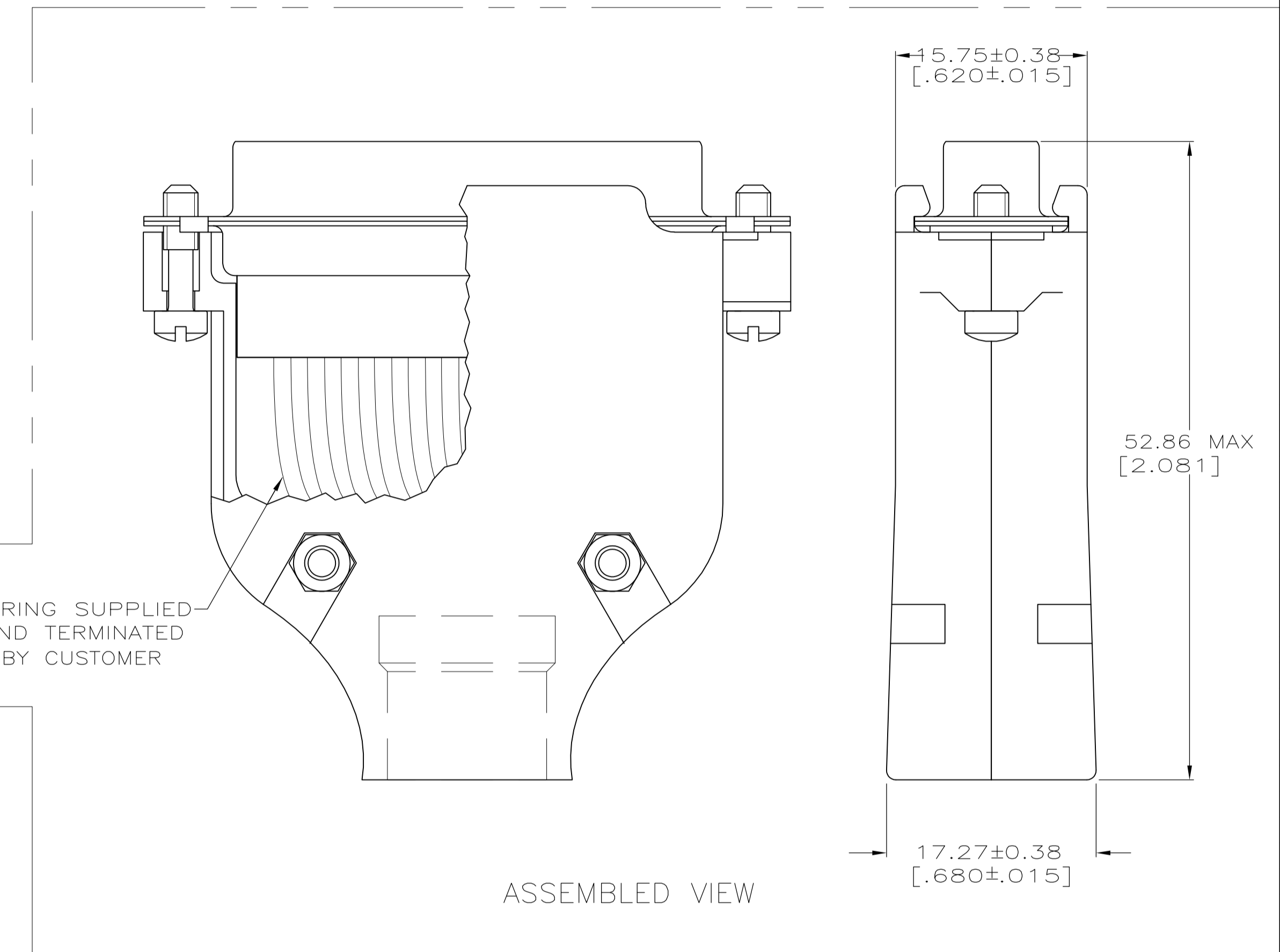
4-40 HEX NUT
QTY: 2

48.77±0.38
[1.920±.015]

TEXTURED FINISH

4-40 FILISTER HEAD SCREW
QTY: 2

GROMMET FROM ASSORTMENT TO BE DETERMINED BY CABLE DIAMETER



ASSEMBLED VIEW

15.75±0.38
[.620±.015]

52.86 MAX
[2.081]

17.27±0.38
[.680±.015]

1. CONTACTS ACCEPT 24-20 AWG RANGE.
2. INSERTS: NYLON, GLASS FILLED, UL 94V-0 RATED, BLACK.
3. GROMMETS: PVC, UL 94V-0 RATED, BLACK.
4. CONTACTS: PHOSPHOR BRONZE.
5. SHELLS: CARBON STEEL.
6. CABLE CLAMPS: ZINC; SCREWS & NUTS: CARBON STEEL.
7. GOLD FLASH FOR A LENGTH OF 2.54[.100] MIN FROM MATING END, 2.54µm[.000100] MIN TIN ON OPPOSITE END FOR A LENGTH OF 4.06 [.160] MIN FROM END OF INSULATION BARREL, BOTH OVER 0.76µm[.000030] MIN NICKEL ON ENTIRE CONTACT.
8. 5.08µm[.000200] MIN TIN OVER 2.54µm[.000100] MIN COPPER.
9. MOUNTING SCREWS & NUTS: 3.81µm[.000150] MIN ZINC, CLEAR CHROMATE COATED. FILISTER HEAD SCREWS: ZINC, CLEAR CHROMATE COATED.
10. CABLE CLAMPS: NICKEL OVER COPPER.

749806-9
PART NO

THIS DRAWING IS A CONTROLLED DOCUMENT.		DIN	J. REITZEL	1AUG03	Tyco Electronics Corporation Harrisburg, PA 17105-3608
DIMENSIONS: mm [INCHES]		CHK	S. BOLASH	1AUG03	
TOLERANCES UNLESS OTHERWISE SPECIFIED:		APP'D	M. WAMSLEY	1AUG03	NAME
0. PLC	± -	PRODUCT SPEC			RECEPTACLE KIT, UNASSEMBLED, SIZE 3, 25 POSN, METAL SHELL, AMPLIMITE, HDP-20
1. PLC	± -	APPLICATION SPEC			108-40005
2. PLC	± 0.13[.005]	SIZE			114-40030
3. PLC	± -	WEIGHT			A1 00779 C=749806-9
4. PLC	± -	SCALE			2:1
ANGLES	± -	SHEET			1 OF 1
MATERIAL	FINISH	CUSTOMER DRAWING			REV B