



Chipsmall Limited consists of a professional team with an average of over 10 year of expertise in the distribution of electronic components. Based in Hongkong, we have already established firm and mutual-benefit business relationships with customers from,Europe,America and south Asia,supplying obsolete and hard-to-find components to meet their specific needs.

With the principle of “Quality Parts,Customers Priority,Honest Operation,and Considerate Service”,our business mainly focus on the distribution of electronic components. Line cards we deal with include Microchip,ALPS,ROHM,Xilinx,Pulse,ON,Everlight and Freescale. Main products comprise IC,Modules,Potentiometer,IC Socket,Relay,Connector.Our parts cover such applications as commercial,industrial, and automotives areas.

We are looking forward to setting up business relationship with you and hope to provide you with the best service and solution. Let us make a better world for our industry!



## Contact us

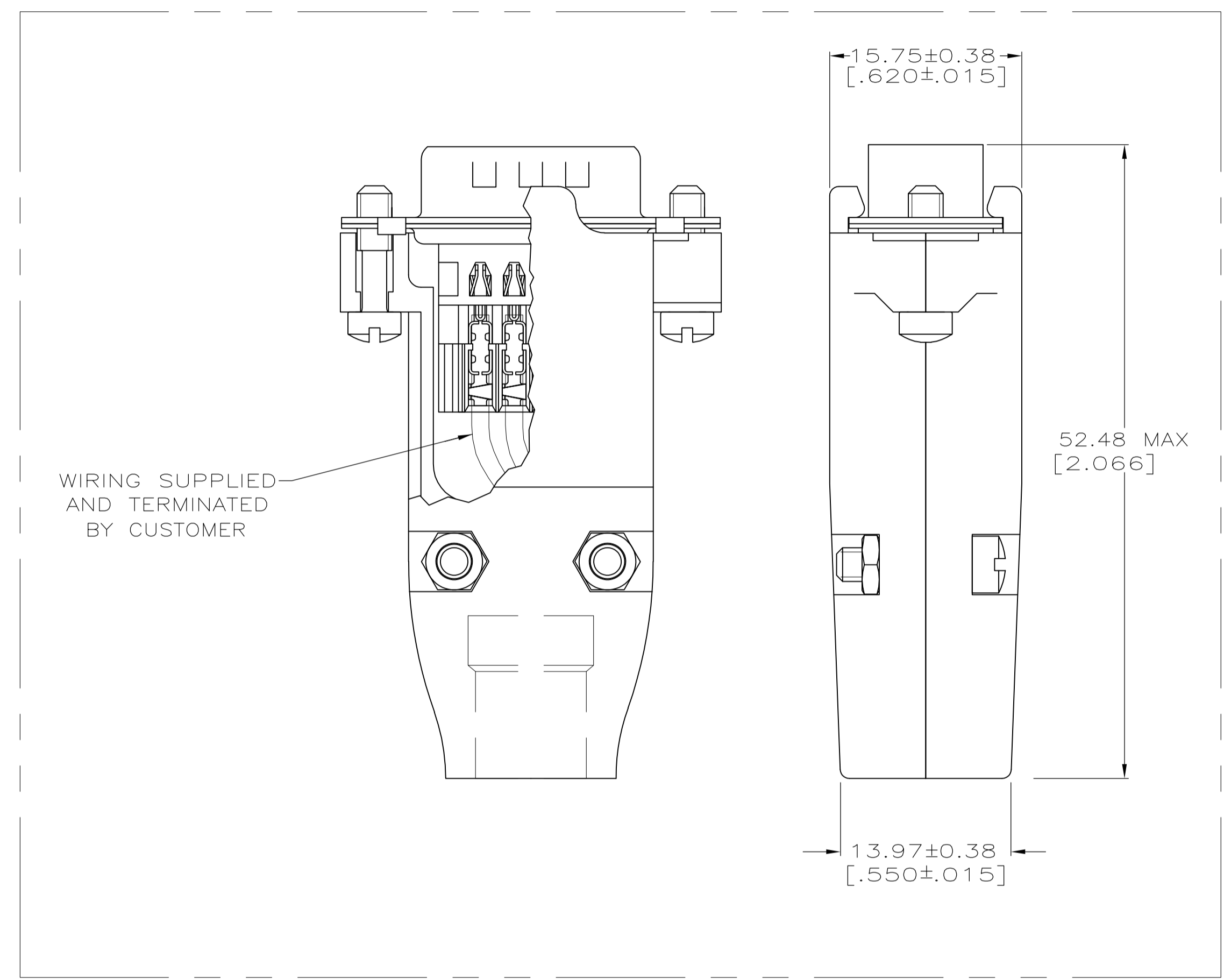
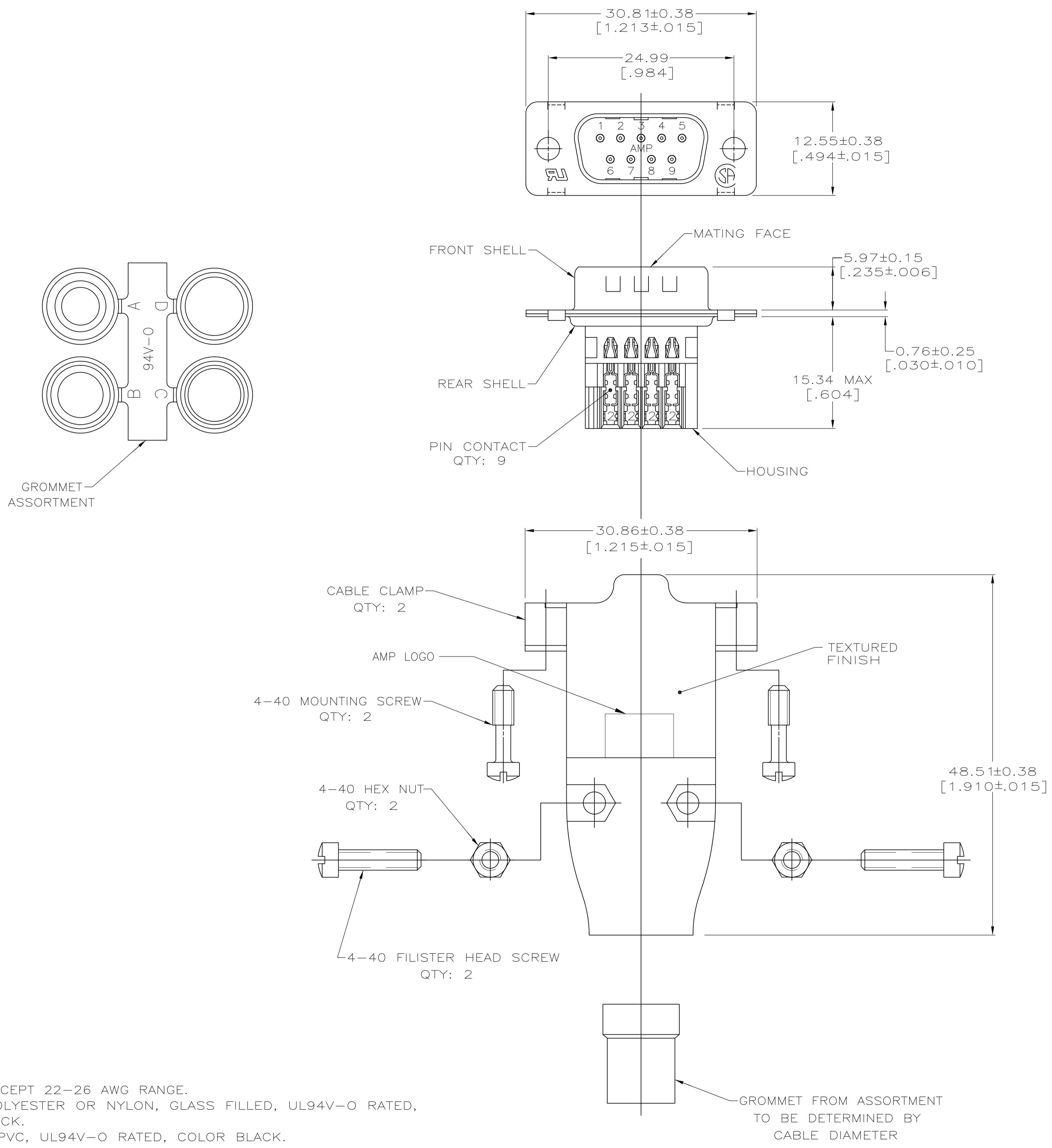
Tel: +86-755-8981 8866 Fax: +86-755-8427 6832

Email & Skype: info@chipsmall.com Web: www.chipsmall.com

Address: A1208, Overseas Decoration Building, #122 Zhenhua RD., Futian, Shenzhen, China



LOC	DIST	REVISIONS			
P	LTR	DESCRIPTION	DATE	DN	APVD
A		REVISED PER EOC-08-004975	3MAR08	JDP	CWR



ASSEMBLED VIEW

- 1. CONTACTS ACCEPT 22-26 AWG RANGE.
- △ HOUSING: POLYESTER OR NYLON, GLASS FILLED, UL94V-0 RATED, COLOR BLACK.  
GROMMETS: PVC, UL94V-0 RATED, COLOR BLACK.  
CONTACTS: PHOSPHOR BRONZE.  
SHELLS: CARBON STEEL.  
CABLE CLAMPS: ZINC.  
SCREWS & NUTS: CARBON STEEL.
- △ CONTACTS: GOLD FLASH FOR A LENGTH OF 3.81[.150] MIN FROM MATING END 2.54µm[.000100] MIN TIN ON OPPOSITE END FOR A LENGTH OF 6.60[.260] MIN, BOTH OVER 0.76µm[.000030] NICKEL ON ENTIRE CONTACT.  
SHELLS: 5.08µm[.000200] MIN TIN OVER 1.27µm[.000050] MIN COPPER.  
MOUNTING SCREWS & NUTS: 3.81µm[.000150] MIN ZINC, CLEAR CHROMATE COATED.  
FILISTER HEAD SCREWS: ZINC, CLEAR CHROMATE COATED.
- △ CABLE CLAMPS: NICKEL OVER COPPER.

749810-7  
PART NUMBER

THIS DRAWING IS A CONTROLLED DOCUMENT.		DIN J.GERACE 22MAR06	Tyco Electronics Corporation Harrisburg, PA 17105-3608	
DIMENSIONS: INCHES		CIK C.ROHDE 22MAR06	NAME M.WALMSLEY 22MAR06	
TOLERANCES UNLESS OTHERWISE SPECIFIED:		PRODUCT SPEC 108-40011		
0. PLC ± -		APPLICATION SPEC 114-40003		
1. PLC ± -		SIZE A1		
2. PLC ± 0.13 [.005]		CAGE CODE 00779		
3. PLC ± -		DRAWING NO. 749810-7		
4. PLC ± -		RESTRICTED TO		
ANGLES ± -		WEIGHT -		
MATERIAL △		CUSTOMER DRAWING		
FINISH △/△		SCALE 3:1 SHEET 1 OF 1 REV A		