



Chipsmall Limited consists of a professional team with an average of over 10 year of expertise in the distribution of electronic components. Based in Hongkong, we have already established firm and mutual-benefit business relationships with customers from,Europe,America and south Asia,supplying obsolete and hard-to-find components to meet their specific needs.

With the principle of “Quality Parts,Customers Priority,Honest Operation,and Considerate Service”,our business mainly focus on the distribution of electronic components. Line cards we deal with include Microchip,ALPS,ROHM,Xilinx,Pulse,ON,Everlight and Freescale. Main products comprise IC,Modules,Potentiometer,IC Socket,Relay,Connector.Our parts cover such applications as commercial,industrial, and automotives areas.

We are looking forward to setting up business relationship with you and hope to provide you with the best service and solution. Let us make a better world for our industry!



Contact us

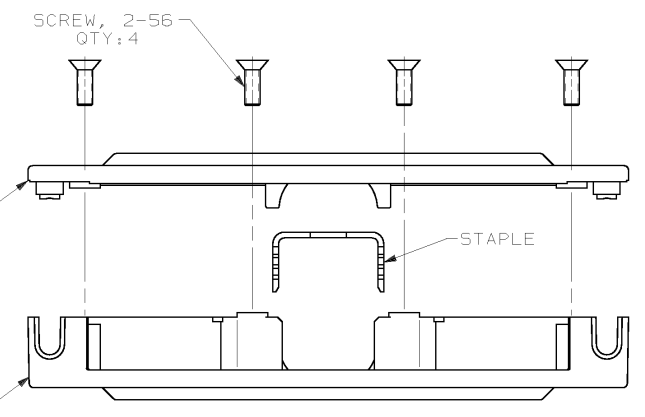
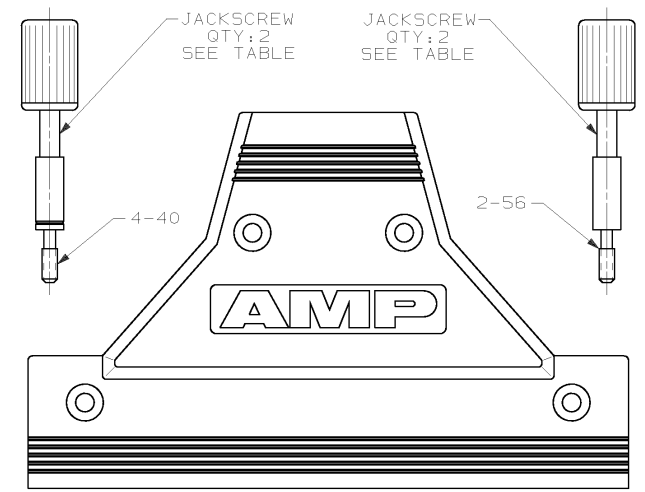
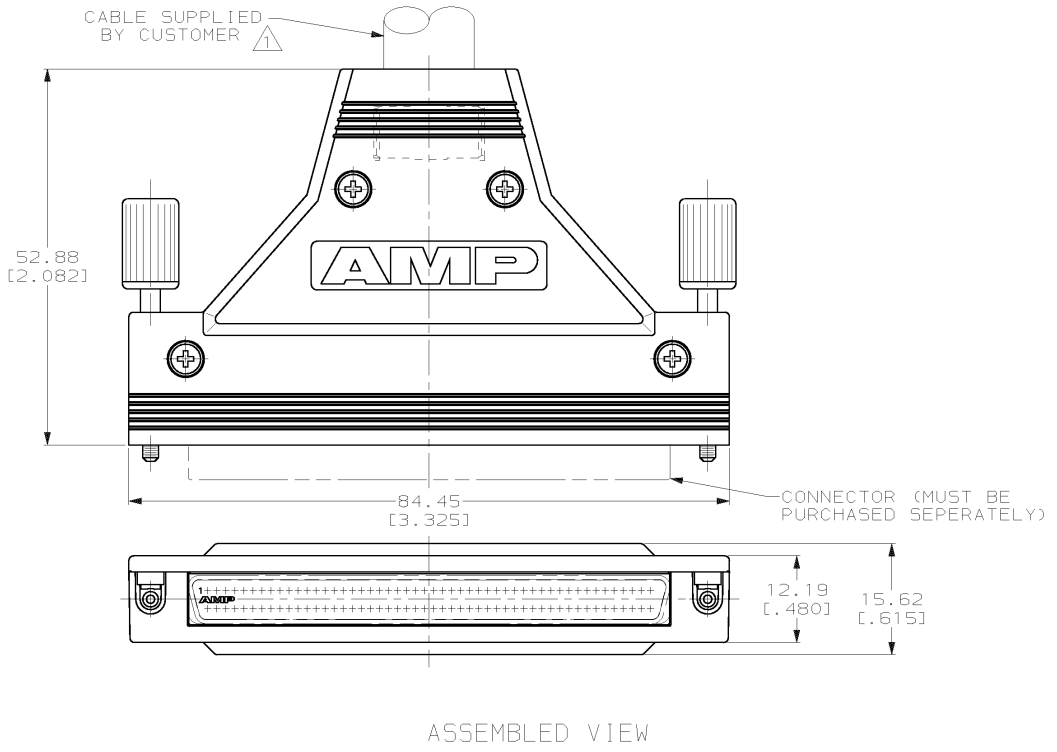
Tel: +86-755-8981 8866 Fax: +86-755-8427 6832

Email & Skype: info@chipsmall.com Web: www.chipsmall.com

Address: A1208, Overseas Decoration Building, #122 Zhenhua RD., Futian, Shenzhen, China



LOC					REVISIONS				
GP	DIST	R	F	ZONE	LTR	DESCRIPTION	DATE	APPD	
	00				D	REVISED PER EC 0513-0160-03	22MAY03	JG	



- ① 12.70 [.500] MAX CABLE DIA.
- ② MATERIAL: ZINC.
- ③ PLATING: NICKEL OVER COPPER.
- ④ MATERIAL: STEEL.
- ⑤ PLATING: BRIGHT TIN-LEAD OVER NICKEL.
- ⑥ FLAME RETARDANT 94 V-0 RATED, POLYOLEFIN OR PVC, COLOR: BLACK.
- ⑦ BLACK ZINC PLATED.
- ⑧ MATERIAL: STAINLESS STEEL.
- ⑨ PLATING: BRIGHT TIN OVER NICKEL.

	JACKSCREW THREAD	STAPLE FINISH	PART NO
	2-56 UNC	⑨	749854-3
OBSOLETE	4-40 UNC	⑤	749854-2
	2-56 UNC	⑤	749854-1

DO NOT SCALE PRINT. UNLESS SPECIFIED DIMENSIONS IN mm [INCHES] TOLERANCES ON : 2 PLC DEC ±0.38 [1.015] 3 PLC DEC ± - ANGLES ± -		DR 02-19-90 M.E. SHIRK		AMP Incorporated Harrisburg, PA 17105-3608	
MATERIAL STAPLE: ④ JACKSCREWS: ④ ⑥ SCREWS: ⑧ BACKSHELLS: ③		CHK 02-19-90 J. BROSCARD			
FINISH STAPLE: SEE TABLE		APPD 02-21-90 D. GRIESEMER		SIZE CAGE CODE DRAWING NO © 00779 ©=749854	
JACKSCREWS: ① BACKSHELLS: ③		APPD 02-19-90 R. WHITEMAN		SCALE 2:1 SHEET 1 OF 1	
		PRODUCT SPEC -			
		APPLICATION SPEC -			
		WEIGHT -			

THIS DRAWING IS A CONTROLLED DOCUMENT FOR AMP INCORPORATED. IT IS SUBJECT TO CHANGE AND THE CONTROLLING ENGINEERING ORGANIZATION SHOULD BE CONTACTED FOR THE LATEST REVISION.