



Chipsmall Limited consists of a professional team with an average of over 10 year of expertise in the distribution of electronic components. Based in Hongkong, we have already established firm and mutual-benefit business relationships with customers from,Europe,America and south Asia,supplying obsolete and hard-to-find components to meet their specific needs.

With the principle of “Quality Parts,Customers Priority,Honest Operation,and Considerate Service”,our business mainly focus on the distribution of electronic components. Line cards we deal with include Microchip,ALPS,ROHM,Xilinx,Pulse,ON,Everlight and Freescale. Main products comprise IC,Modules,Potentiometer,IC Socket,Relay,Connector.Our parts cover such applications as commercial,industrial, and automotives areas.

We are looking forward to setting up business relationship with you and hope to provide you with the best service and solution. Let us make a better world for our industry!



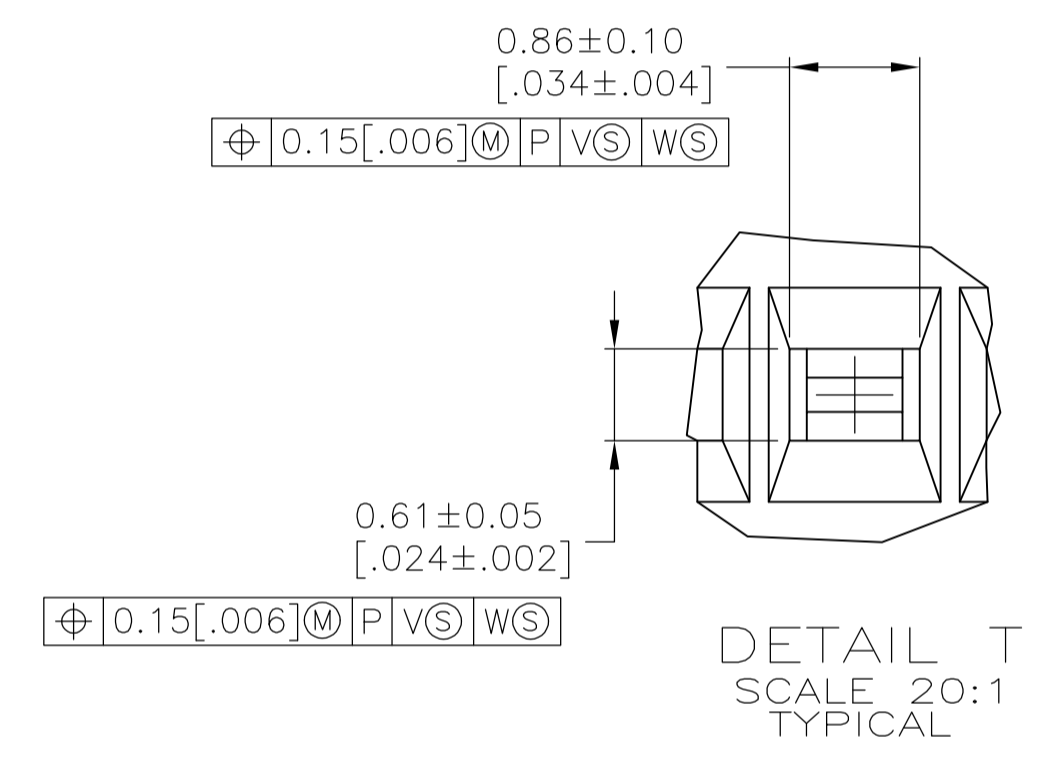
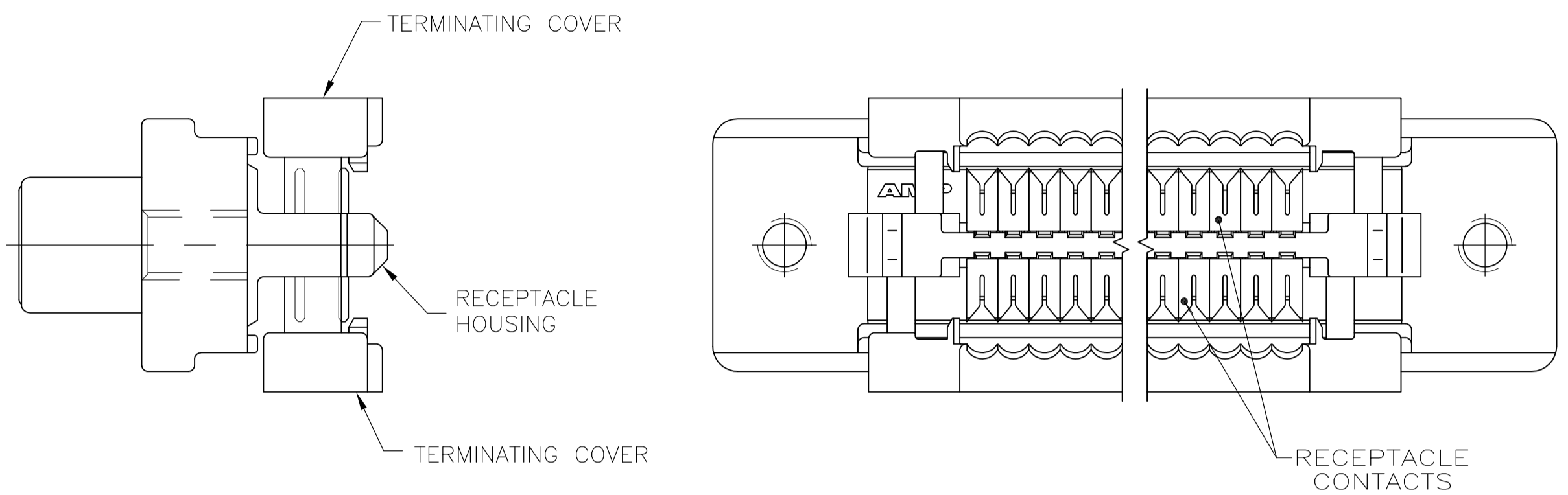
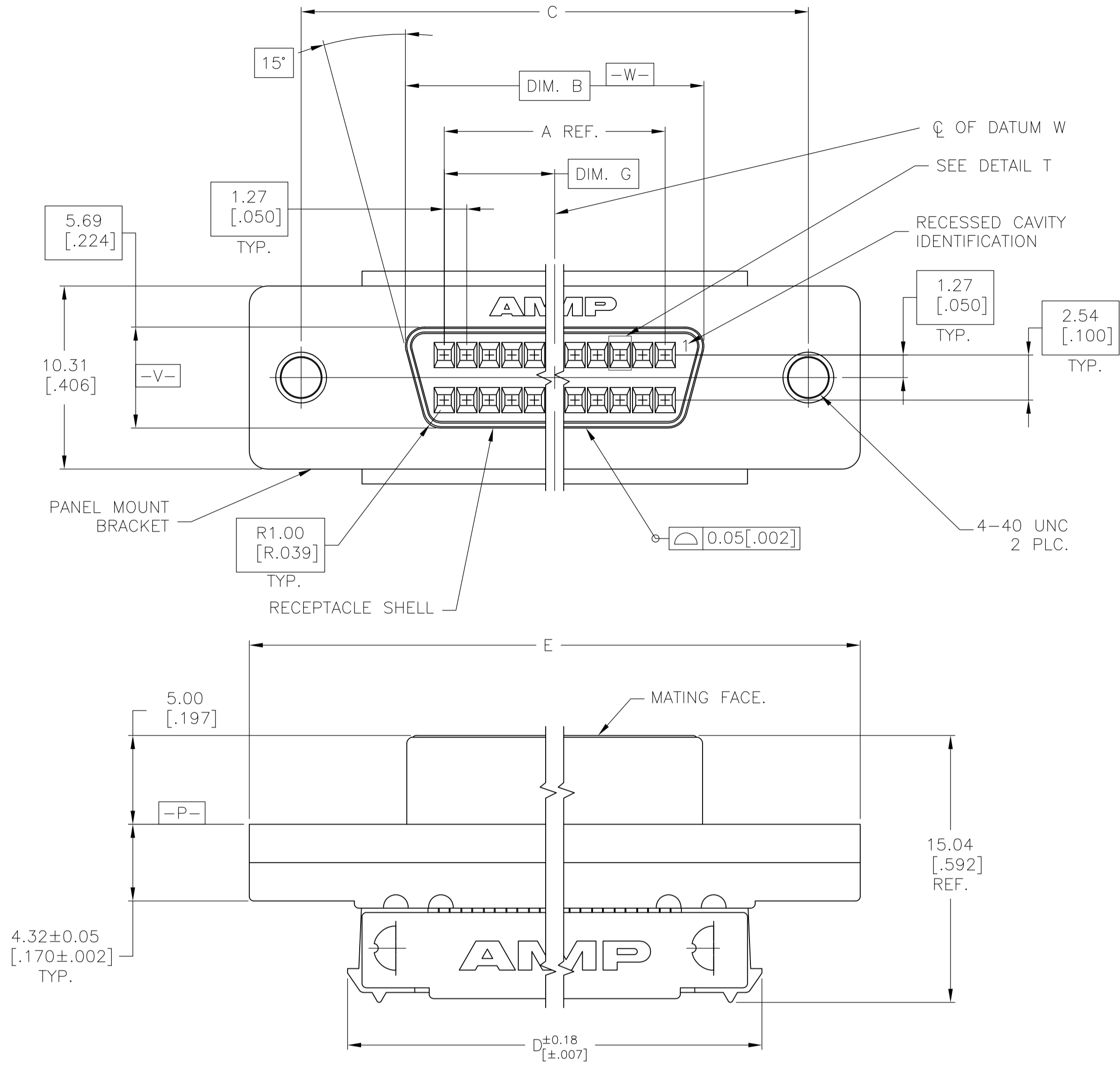
## Contact us

Tel: +86-755-8981 8866 Fax: +86-755-8427 6832

Email & Skype: info@chipsmall.com Web: www.chipsmall.com

Address: A1208, Overseas Decoration Building, #122 Zhenhua RD., Futian, Shenzhen, China





- 1 MATERIAL—  
RECEPTACLE CONTACTS: PHOSPHOR BRONZE.  
RECEPTACLE SHELL: STEEL.  
PANEL MOUNT BRACKET: ZINC.  
RECEPTACLE HOUSING AND TERMINATION COVERS: UL V-0 RATED THERMOPLASTIC, COLOR: BLACK.
- 2 PLATING—  
RECEPTACLE CONTACTS: EITHER 0.76µm [.000030] MIN GOLD PLATE OR GOLD FLASH OVER PALLADIUM NICKEL PLATE, 0.76µm [.000030] MIN TOTAL IN CONTACT AREA, 1.27µm [.000050] MIN TIN-LEAD IN TERMINATION AREA, ALL OVER 1.27µm [.000050] MIN NICKEL.  
RECEPTACLE SHELL: 5.08µm [.000200] MIN NICKEL OVER 1.27µm [.000050] MIN COPPER.  
PANEL MOUNT BRACKET: 5.08µm [.000200] MIN NICKEL OVER 7.62µm [.000300] MIN COPPER.
- 3. RECOMMENDED WIRE:  
28 AWG OR 30 AWG, SOLID OR 7 STRANDED, PVC INSULATION WITH A 0.74-0.91 [.029-.036] INSULATION DIA.
- 4 OBSOLETE PART NUMBER.
- 5 PLATING—  
RECEPTACLE CONTACTS: EITHER 0.76µm [.000030] MIN GOLD PLATE OR GOLD FLASH OVER PALLADIUM NICKEL PLATE, 0.76µm [.000030] MIN TOTAL IN CONTACT AREA, 1.27µm [.000050] MIN TIN IN TERMINATION AREA, ALL OVER 1.27µm [.000050] MIN NICKEL.  
RECEPTACLE SHELL: 5.08µm [.000200] MIN NICKEL OVER 1.27µm [.000050] MIN COPPER.  
PANEL MOUNT BRACKET: 5.08µm [.000200] MIN NICKEL OVER 7.62µm [.000300] MIN COPPER.
- 6 SUPERCEDED TO 5-749877-9
- 7 ROHS 2002/95/EC COMPLIANT

FINISH	DATE CODE	G	E	D	C	B	A	NO. OF POSN.	PART NO
7	5	NO	31.12 [1.225]	84.20 [3.315]	73.13 [2.879]	78.23 [3.080]	66.45 [2.616]	62.23 [2.450]	100 5-749877-9
7	5	NO	20.96 [.825]	63.88 [2.515]	52.81 [2.079]	57.91 [2.280]	46.13 [1.816]	41.91 [1.650]	68 5-749877-7
7	5	NO	15.24 [.600]	52.45 [2.065]	41.38 [1.629]	46.48 [1.830]	34.70 [1.366]	30.48 [1.200]	50 5-749877-5
6	5	NO	31.12 [1.225]	84.20 [3.315]	73.13 [2.879]	78.23 [3.080]	66.45 [2.616]	62.23 [2.450]	100 1-749877-0
	2	NO	31.12 [1.225]	84.20 [3.315]	73.13 [2.879]	78.23 [3.080]	66.45 [2.616]	62.23 [2.450]	100 749877-9
	2	NO	20.96 [.825]	63.88 [2.515]	52.81 [2.079]	57.91 [2.280]	46.13 [1.816]	41.91 [1.650]	68 749877-7
	2	NO	15.24 [.600]	52.45 [2.065]	41.38 [1.629]	46.48 [1.830]	34.70 [1.366]	30.48 [1.200]	50 749877-5
4	2	NO	7.62 [.300]	37.21 [1.465]	26.14 [1.029]	31.24 [1.230]	19.46 [.766]	15.24 [.600]	26 749877-1

THIS DRAWING IS A CONTROLLED DOCUMENT.

DIMENSIONS: mm [INCHES]	TOLERANCES UNLESS OTHERWISE SPECIFIED:	APVD: R. WHITEMAN 10/24/89	NAME: RECEPTACLE CABLE ASSEMBLY, FLAT TOP, PANEL MOUNT, AMPLIMITE .050 Series
0 PLC ± -	1 PLC ± -	DATE: 08/24/89	DMN: M. MCCAFFREY
2 PLC ± 0.13 [.005]	3 PLC ± -	DATE: 09/05/89	CHK: J. BROSHARD
4 PLC ± -	ANGLES ± -	DATE: 10/24/89	NAME: R. WHITEMAN
MATERIAL: SEE TABLE	FINISH: SEE TABLE	APPLICATION SPEC: 108-1228	PRODUCT SPEC: 108-1228
		SIZE: 114-40029	RESTRICTED TO: -
		WEIGHT: -	SCALE: 5:1
		CUSTOMER DRAWING	SHEET 1 OF 1