



Chipsmall Limited consists of a professional team with an average of over 10 year of expertise in the distribution of electronic components. Based in Hongkong, we have already established firm and mutual-benefit business relationships with customers from,Europe,America and south Asia,supplying obsolete and hard-to-find components to meet their specific needs.

With the principle of "Quality Parts,Customers Priority,Honest Operation,and Considerate Service",our business mainly focus on the distribution of electronic components. Line cards we deal with include Microchip,ALPS,ROHM,Xilinx,Pulse,ON,Everlight and Freescale. Main products comprise IC,Modules,Potentiometer,IC Socket,Relay,Connector.Our parts cover such applications as commercial,industrial, and automotives areas.

We are looking forward to setting up business relationship with you and hope to provide you with the best service and solution. Let us make a better world for our industry!



Contact us

Tel: +86-755-8981 8866 Fax: +86-755-8427 6832

Email & Skype: info@chipsmall.com Web: www.chipsmall.com

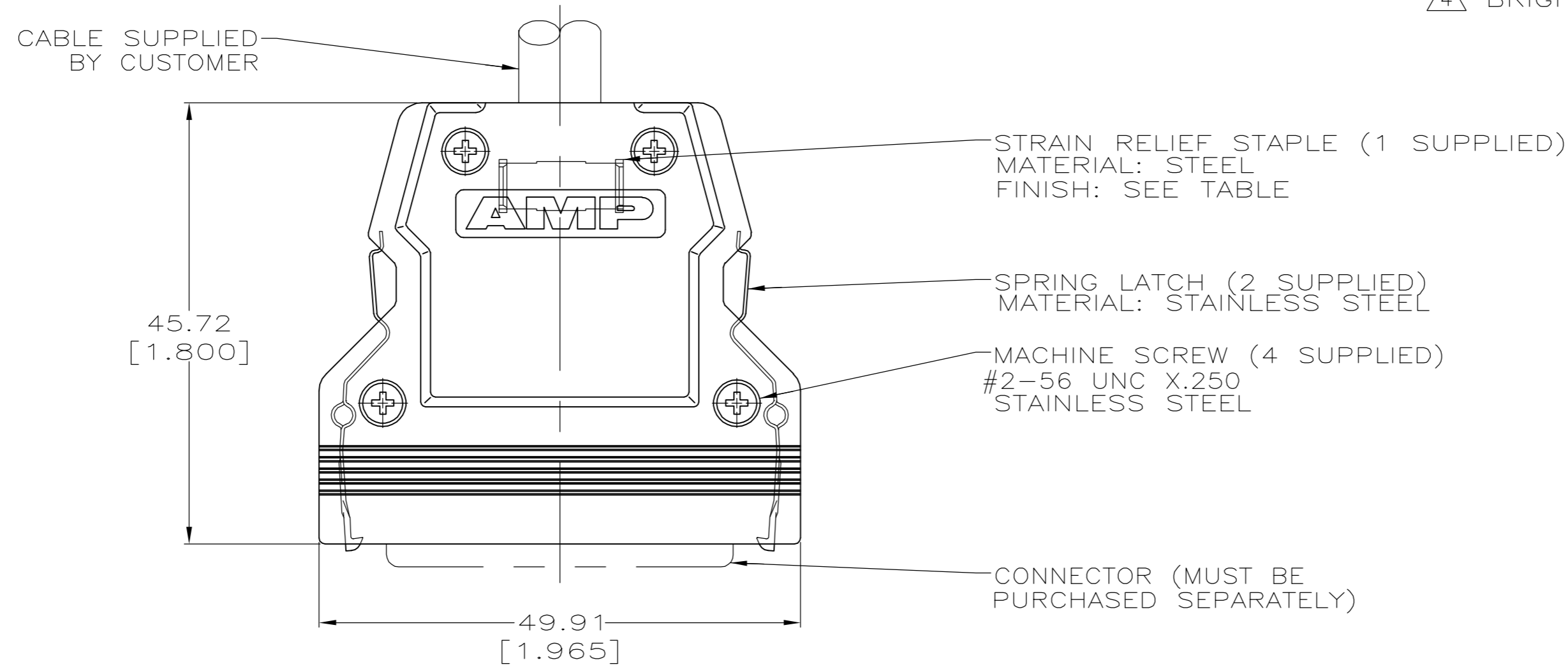
Address: A1208, Overseas Decoration Building, #122 Zhenhua RD., Futian, Shenzhen, China



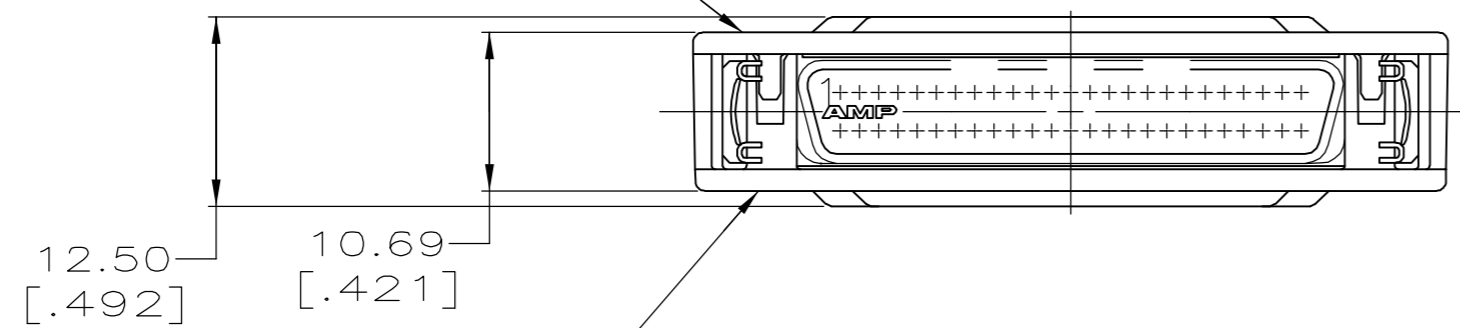
THIS DRAWING IS UNPUBLISHED. RELEASED FOR PUBLICATION
 © COPYRIGHT BY TYCO ELECTRONICS CORPORATION. ALL RIGHTS RESERVED.

LOC	DIST	REVISIONS			
P	LTR	DESCRIPTION	DATE	DWN	APVD
GP	00	E2	REVISED PER ECO-06-024597	13NOV06	JDP SAS

- 1 PARTS PACKAGED AS A UNIT KIT.
- 2 PARTS INDIVIDUALLY BULK PACKAGED & SHIPPED AS A UNIT PACKAGE.
- 3 BRIGHT TIN-LEAD OVER NICKEL.
- 4 BRIGHT TIN OVER NICKEL.



UPPER BACKSHELL (1 SUPPLIED)
 MATERIAL: ZINC
 FINISH: SEE TABLE



LOWER BACKSHELL (1 SUPPLIED)
 MATERIAL: ZINC
 FINISH: SEE TABLE

BACKSHELL FINISH	STAPLE FINISH	PACKAGING	CABLE DIA	PART NO.
NICKEL OVER COPPER	4	1	.480 MAX	749889-6
BLACK POWER	3	1	.480 MAX	749889-5
NICKEL OVER COPPER	3	2	.480 MAX	749889-4
NICKEL OVER COPPER	3	1	.480 MAX	749889-3
NICKEL OVER COPPER	3	1	.400 MAX	749889-2
NICKEL OVER COPPER	3	1	.355 MAX	749889-1

SUPERSEDED BY 5749889-3
 OBSOLETE
 OBSOLETE

THIS DRAWING IS A CONTROLLED DOCUMENT.

DIMENSIONS: mm [INCHES]	TOLERANCES UNLESS OTHERWISE SPECIFIED: 0 PLC ± - 1 PLC ± - 2 PLC ± 0.38 [.015] 3 PLC ± - 4 PLC ± - ANGLES ± -	DWN M.A.MCCAFFREY 10/24/90 CHK S.G.SMITH 10/24/90 APVD - PRODUCT SPEC - APPLICATION SPEC - WEIGHT -	tyco Electronics Tyco Electronics Corporation Harrisburg, PA 17105-3608
MATERIAL SEE CALLOUTS	FINISH SEE CALLOUTS	CUSTOMER DRAWING	BACKSHELL KIT, 50 POSITION, REDUCED WIDTH, STRAIGHT EXIT, UNKEYED, AMPLIMITE .050 SERIES
SCALE 2:1		SHEET 1 OF 1	REV E2