



Chipsmall Limited consists of a professional team with an average of over 10 year of expertise in the distribution of electronic components. Based in Hongkong, we have already established firm and mutual-benefit business relationships with customers from,Europe,America and south Asia,supplying obsolete and hard-to-find components to meet their specific needs.

With the principle of “Quality Parts,Customers Priority,Honest Operation,and Considerate Service”,our business mainly focus on the distribution of electronic components. Line cards we deal with include Microchip,ALPS,ROHM,Xilinx,Pulse,ON,Everlight and Freescale. Main products comprise IC,Modules,Potentiometer,IC Socket,Relay,Connector.Our parts cover such applications as commercial,industrial, and automotives areas.

We are looking forward to setting up business relationship with you and hope to provide you with the best service and solution. Let us make a better world for our industry!



## Contact us

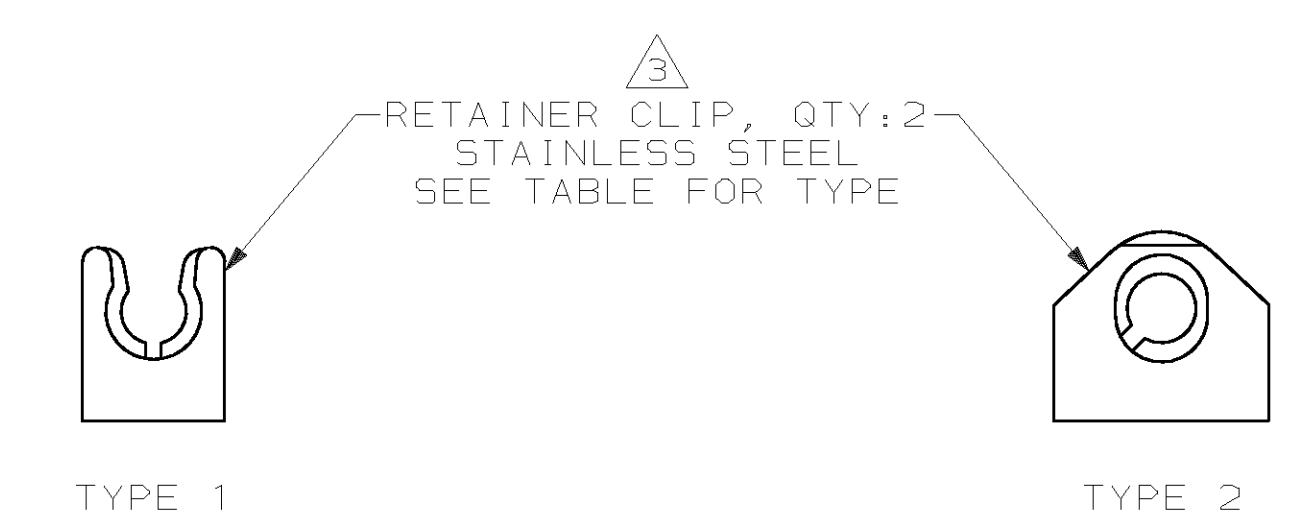
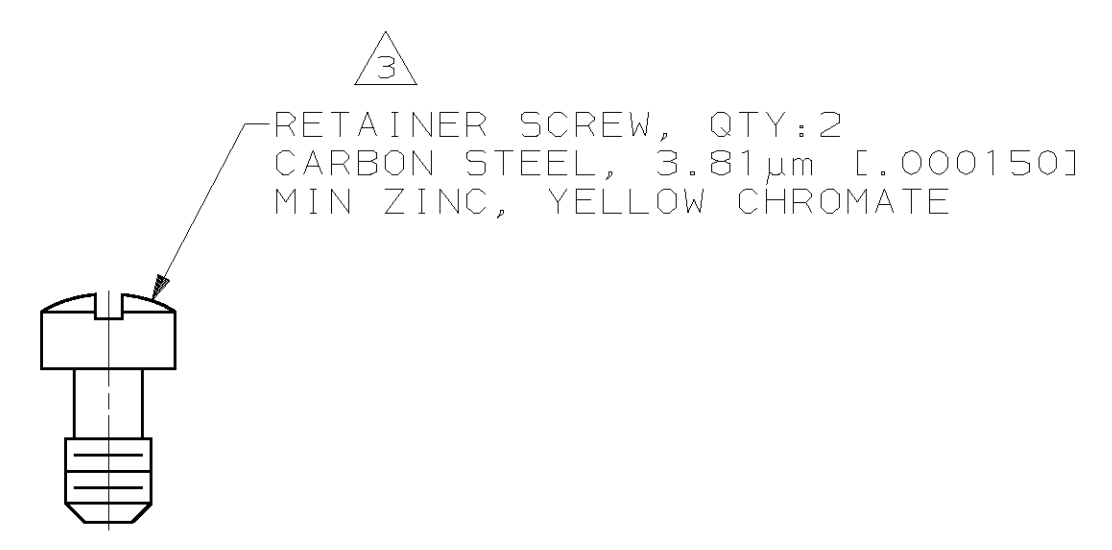
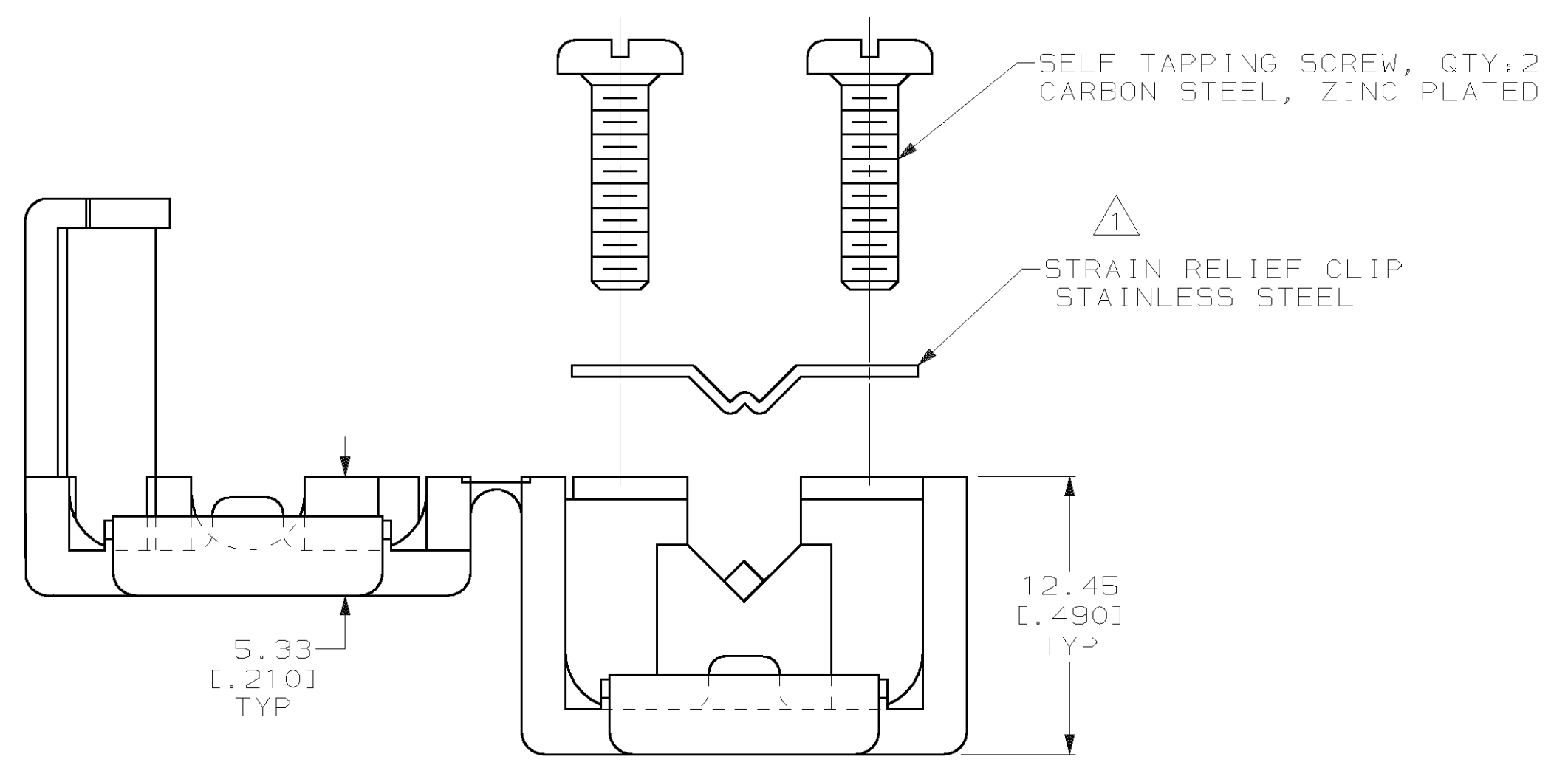
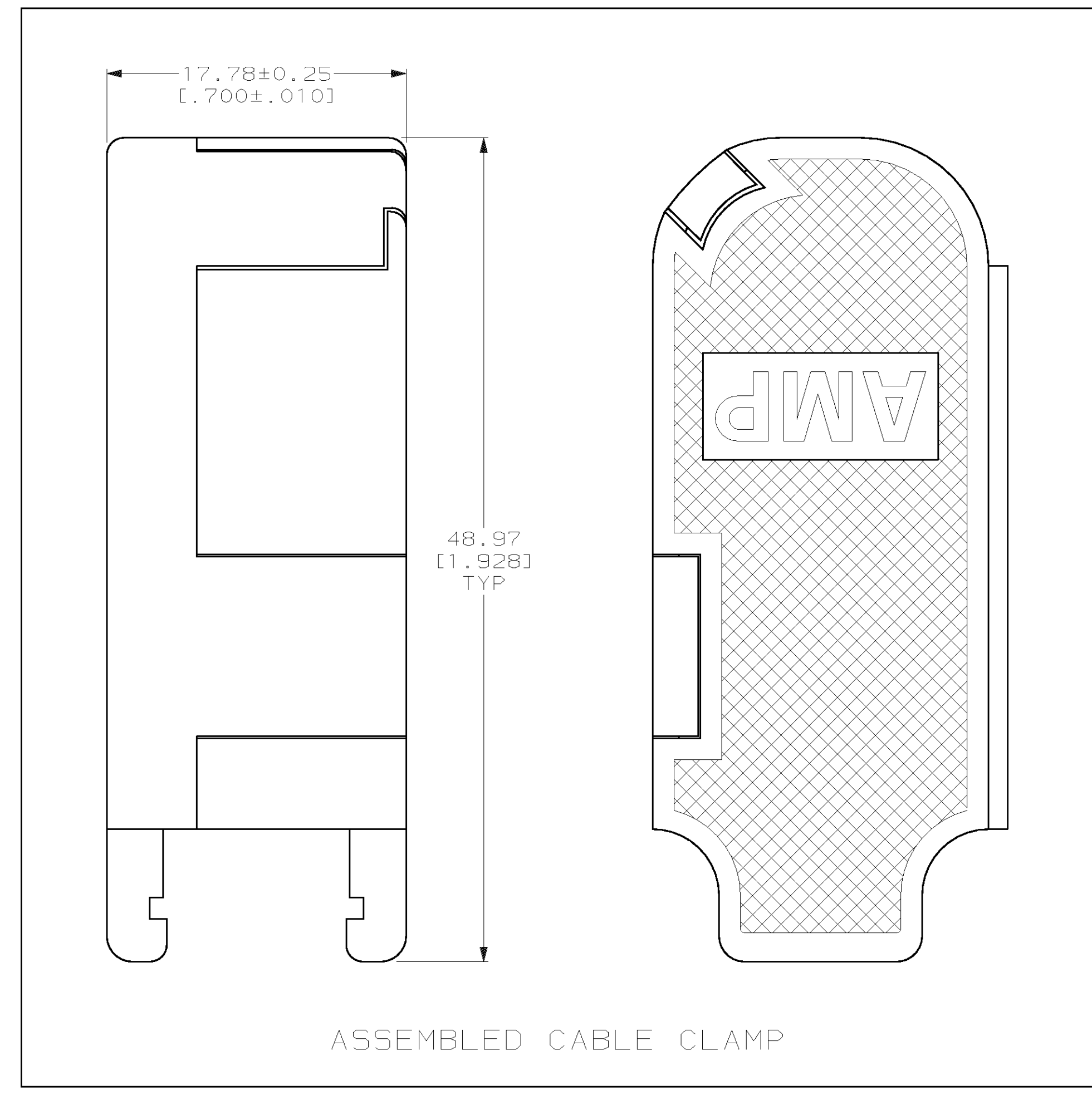
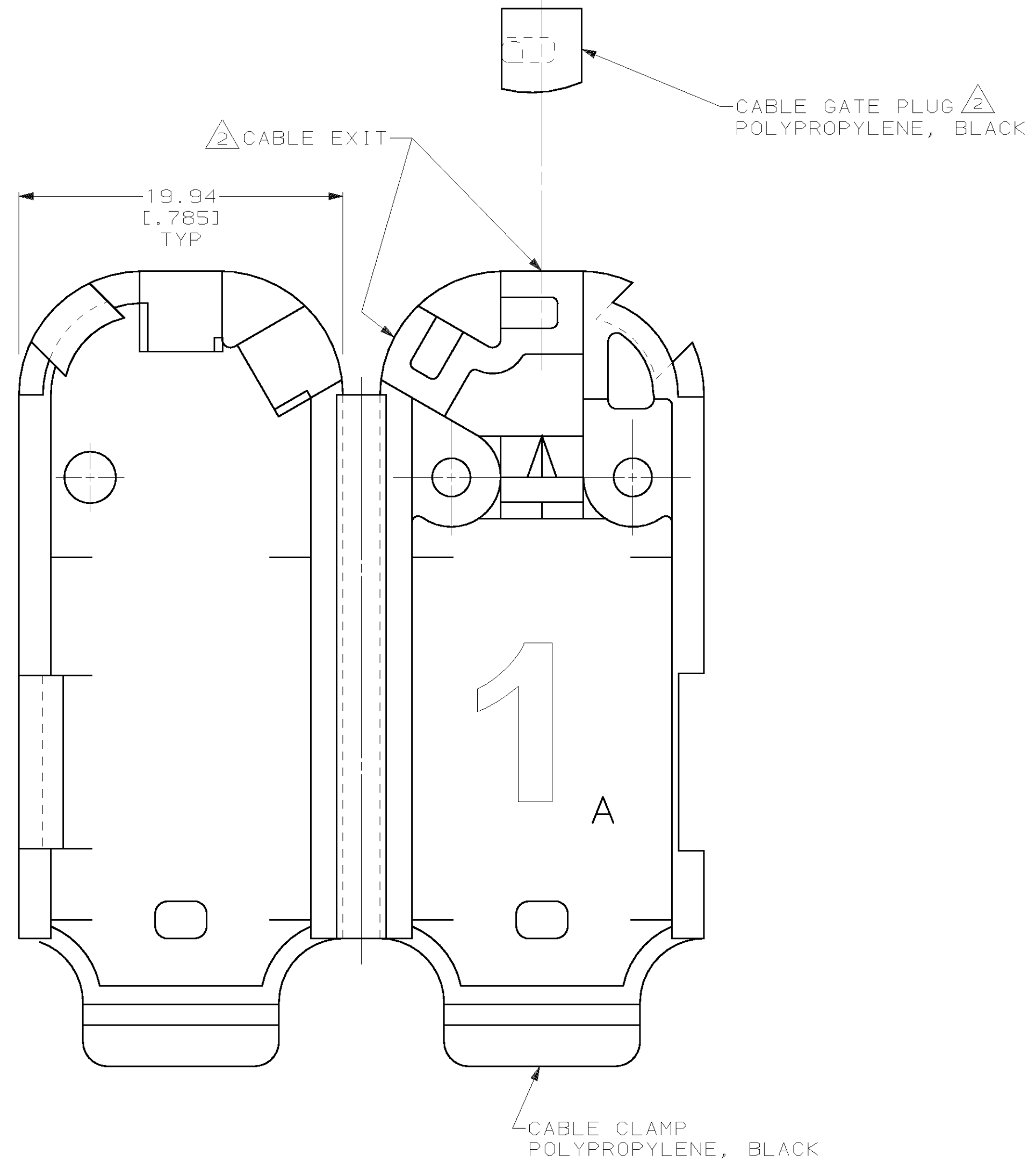
Tel: +86-755-8981 8866 Fax: +86-755-8427 6832

Email & Skype: info@chipsmall.com Web: www.chipsmall.com

Address: A1208, Overseas Decoration Building, #122 Zhenhua RD., Futian, Shenzhen, China



LOC		DIST		P		F		ZONE		LTR		REVISIONS			
GP	00											DESCRIPTION	DATE	APPD	
												J	REVISED PER EC 0513-0104-03	24FEB93	JG



- 1. CLIP CAN BE INSTALLED AS SHOWN FOR SMALL DIAMETER CABLE, OR REVERSED FOR LARGE DIAMETER CABLE.
- 2. CABLE GATE PLUG TO BE PLACED IN CABLE EXIT NOT BEING USED.
- 3. RETAINER SCREWS AND RETAINER CLIPS PROVIDED WITH THIS KIT FOR USE WITH METAL SHELL CONNECTORS.
- 4. CABLE DIAMETER RANGE = 1.90-6.35 [.075-.250].

OBsolete	QTY	DESCRIPTION	PART NO
	2	UNIT KIT	749914-4
	1	SMALL PACK	749914-3
	1	UNIT KIT	749914-2
	1	BULK PACKED	749914-1
		RETAINER CLIP TYPE	PACKAGING
			PART NO

DO NOT SCALE PRINT. UNLESS SPECIFIED DIMENSIONS IN mm [INCHES] TOLERANCES ON:		DR 11/08/89 S. WELDON		AMP INCORPORATED Harrisburg, Pa. 17105	
2 PLC DEC ± 0.13 [.005]		CHK 11-14-89 R. STONE			
3 PLC DEC ± -		APPD 11-15-89 J. WESTMAN		NAME	
ANGLES ± -		APPD 11-15-89 J. ASSINI		CABLE CLAMP KIT, UNASSEMBLED, SIZE 1, QUIK-SNAP, 120° & 180° CABLE EXIT, AMPLIMITE®	
MATERIAL		PRODUCT SPEC		SIZE	
SEE CALLOUTS		-		D 00779	
FINISH		APPLICATION SPEC		CAGE CODE	
SEE CALLOUTS		-		00779	
WEIGHT		-		DRAWING NO	
				749914	
		SCALE 4:1		SHEET 1 OF 1	