



Chipsmall Limited consists of a professional team with an average of over 10 year of expertise in the distribution of electronic components. Based in Hongkong, we have already established firm and mutual-benefit business relationships with customers from,Europe,America and south Asia,supplying obsolete and hard-to-find components to meet their specific needs.

With the principle of “Quality Parts,Customers Priority,Honest Operation,and Considerate Service”,our business mainly focus on the distribution of electronic components. Line cards we deal with include Microchip,ALPS,ROHM,Xilinx,Pulse,ON,Everlight and Freescale. Main products comprise IC,Modules,Potentiometer,IC Socket,Relay,Connector.Our parts cover such applications as commercial,industrial, and automotives areas.

We are looking forward to setting up business relationship with you and hope to provide you with the best service and solution. Let us make a better world for our industry!



## Contact us

Tel: +86-755-8981 8866 Fax: +86-755-8427 6832

Email & Skype: info@chipsmall.com Web: www.chipsmall.com

Address: A1208, Overseas Decoration Building, #122 Zhenhua RD., Futian, Shenzhen, China



# DATA SHEET

For a complete data sheet, please also download:

- The IC06 74HC/HCT/HCU/HCMOS Logic Family Specifications
- The IC06 74HC/HCT/HCU/HCMOS Logic Package Information
- The IC06 74HC/HCT/HCU/HCMOS Logic Package Outlines

## **74HC/HCT4016** Quad bilateral switches

Product specification  
File under Integrated Circuits, IC06

December 1990

# Quad bilateral switches

# 74HC/HCT4016

## FEATURES

- Low “ON” resistance:  
 160 Ω (typ.) at V<sub>CC</sub> = 4.5 V  
 120 Ω (typ.) at V<sub>CC</sub> = 6.0 V  
 80 Ω (typ.) at V<sub>CC</sub> = 9.0 V
- Individual switch controls
- Typical “break before make” built in
- Output capability: non-standard
- I<sub>CC</sub> category: SSI

## GENERAL DESCRIPTION

The 74HC/HCT4016 are high-speed Si-gate CMOS devices and are pin compatible with the “4016” of the

“4000B” series. They are specified in compliance with JEDEC standard no. 7A.

The 74HC/HCT4016 have four independent analog switches (transmission gates).

Each switch has two input/output terminals (Y<sub>n</sub>, Z<sub>n</sub>) and an active HIGH enable input (E<sub>n</sub>). When E<sub>n</sub> is connected to V<sub>CC</sub>, a low bidirectional path between Y<sub>n</sub> and Z<sub>n</sub> is established (ON condition). When E<sub>n</sub> is connected to ground (GND), the switch is disabled and a high impedance between Y<sub>n</sub> and Z<sub>n</sub> is established (OFF condition).

Current through a switch will not cause additional V<sub>CC</sub> current provided the voltage at the terminals of the switch is maintained within the supply voltage range; V<sub>CC</sub> >> (V<sub>Y</sub>, V<sub>Z</sub>) >> GND. Inputs Y<sub>n</sub> and Z<sub>n</sub> are electrically equivalent terminals.

## QUICK REFERENCE DATA

GND = 0 V; T<sub>amb</sub> = 25 °C; t<sub>r</sub> = t<sub>f</sub> = 6 ns

SYMBOL	PARAMETER	CONDITIONS	TYPICAL		UNIT
			HC	HCT	
t <sub>PZH</sub> / t <sub>PZL</sub>	turn “ON” time E <sub>n</sub> to V <sub>OS</sub>	C <sub>L</sub> = 15 pF; R <sub>L</sub> = 1 kΩ; V <sub>CC</sub> = 5 V	16	17	ns
t <sub>PHZ</sub> / t <sub>PLZ</sub>	turn “OFF” time E <sub>n</sub> to V <sub>OS</sub>		14	20	ns
C <sub>I</sub>	input capacitance		3.5	3.5	pF
C <sub>PD</sub>	power dissipation capacitance per switch	notes 1 and 2	12	12	pF
C <sub>S</sub>	max. switch capacitance		5	5	pF

## Notes

1. C<sub>PD</sub> is used to determine the dynamic power dissipation (P<sub>D</sub> in μW):

$$P_D = C_{PD} \times V_{CC}^2 \times f_i + \sum \{ (C_L + C_S) \times V_{CC}^2 \times f_o \}$$

where:

f<sub>i</sub> = input frequency in MHz

f<sub>o</sub> = output frequency in MHz

∑ {(C<sub>L</sub> + C<sub>S</sub>) × V<sub>CC</sub><sup>2</sup> × f<sub>o</sub>} = sum of outputs

C<sub>L</sub> = output load capacitance in pF

C<sub>S</sub> = max. switch capacitance in pF

V<sub>CC</sub> = supply voltage in V

2. For HC the condition is V<sub>I</sub> = GND to V<sub>CC</sub>  
 For HCT the condition is V<sub>I</sub> = GND to V<sub>CC</sub> – 1.5 V

## ORDERING INFORMATION

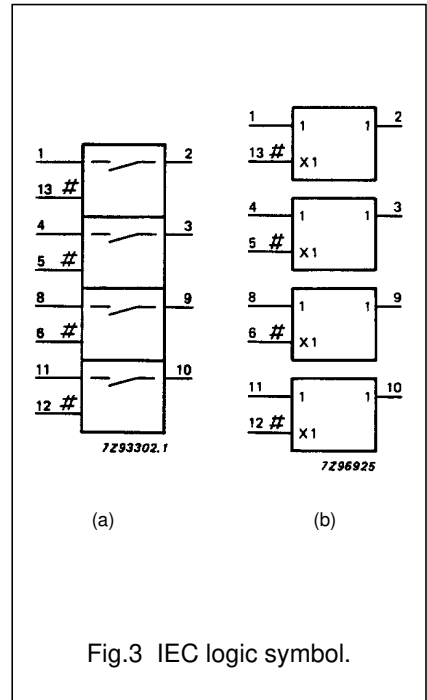
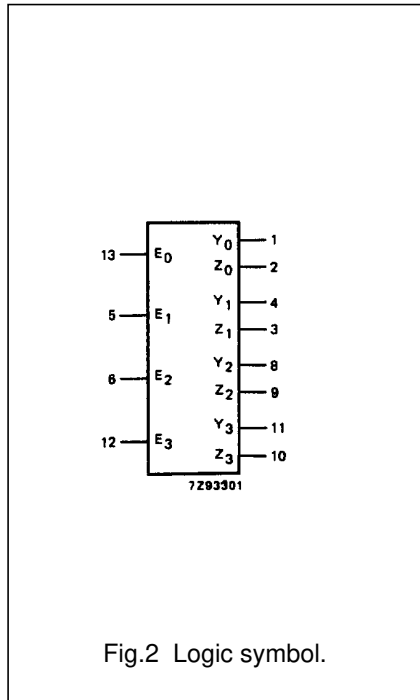
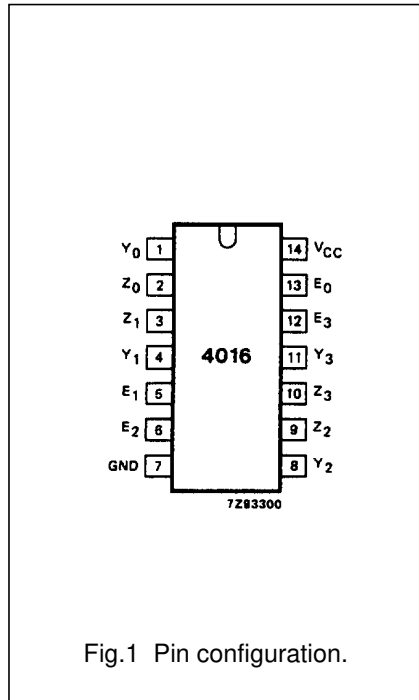
See “74HC/HCT/HCU/HCMOS Logic Package Information”.

Quad bilateral switches

74HC/HCT4016

PIN DESCRIPTION

PIN NO.	SYMBOL	NAME AND FUNCTION
1, 4, 8, 11	Y <sub>0</sub> to Y <sub>3</sub>	independent inputs/outputs
7	GND	ground (0 V)
2, 3, 9, 10	Z <sub>0</sub> to Z <sub>3</sub>	independent inputs/outputs
13, 5, 6, 12	E <sub>0</sub> to E <sub>3</sub>	enable inputs (active HIGH)
14	V <sub>CC</sub>	positive supply voltage



Quad bilateral switches

74HC/HCT4016

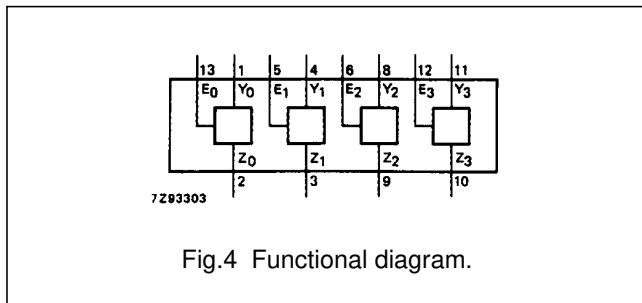


Fig.4 Functional diagram.

**APPLICATIONS**

- Signal gating
- Modulation
- Demodulation
- Chopper

**FUNCTION TABLE**

INPUT E <sub>n</sub>	CHANNEL IMPEDANCE
L	high
H	low

**Notes**

1. H = HIGH voltage level  
L = LOW voltage level

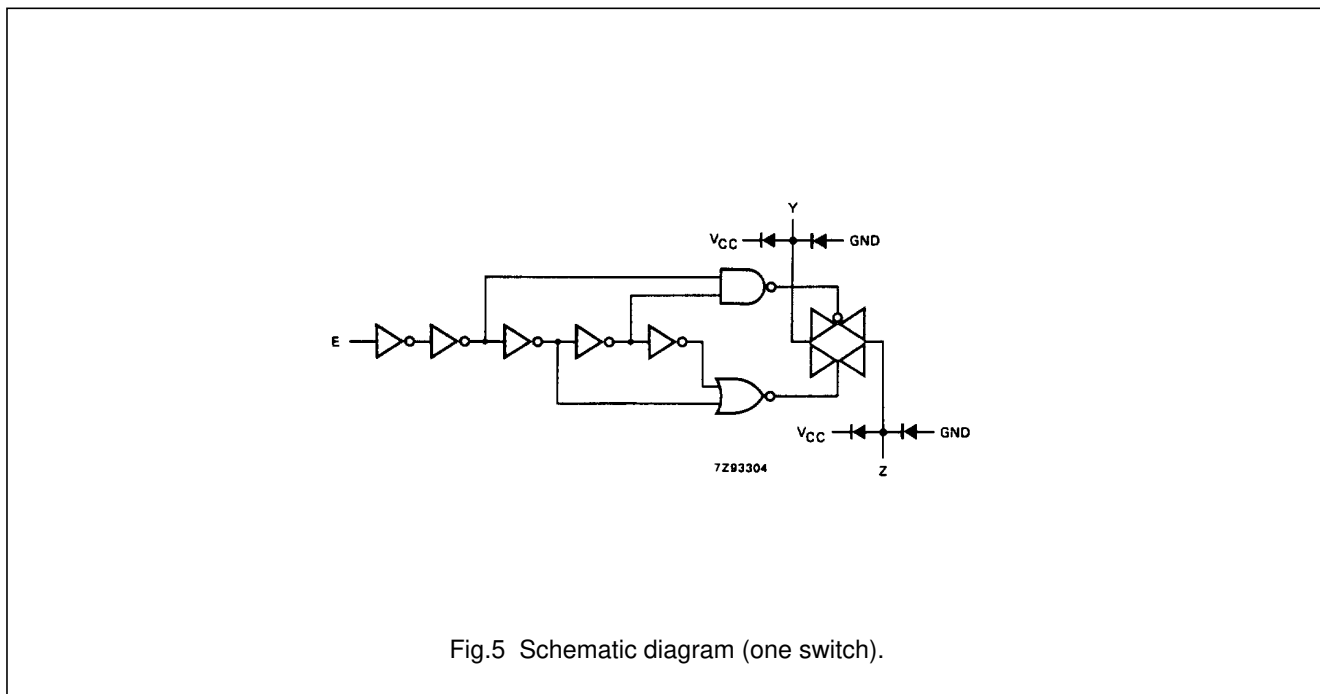


Fig.5 Schematic diagram (one switch).

## Quad bilateral switches

## 74HC/HCT4016

**RATINGS**

Limiting values in accordance with the Absolute Maximum System (IEC 134)

Voltages are referenced to GND (ground = 0 V)

SYMBOL	PARAMETER	MIN.	MAX.	UNIT	CONDITIONS
$V_{CC}$	DC supply voltage	-0.5	+11.0	V	
$\pm I_{IK}$	DC digital input diode current		20	mA	for $V_I < -0.5$ V or $V_I > V_{CC} + 0.5$ V
$\pm I_{SK}$	DC switch diode current		20	mA	for $V_S < -0.5$ V or $V_S > V_{CC} + 0.5$ V
$\pm I_S$	DC switch current		25	mA	for $-0.5$ V $< V_S < V_{CC} + 0.5$ V
$\pm I_{CC}; \pm I_{GND}$	DC $V_{CC}$ or GND current		50	mA	
$T_{stg}$	storage temperature range	-65	+150	°C	
$P_{tot}$	power dissipation per package				for temperature range: -40 to +125 °C 74HC/HCT
	plastic DIL		750	mW	above +70 °C: derate linearly with 12 mW/K
	plastic mini-pack (SO)		500	mW	above +70 °C: derate linearly with 8 mW/K
$P_S$	power dissipation per switch		100	mW	

**RECOMMENDED OPERATING CONDITIONS**

SYMBOL	PARAMETER	74HC			74HCT			UNIT	CONDITIONS
		min.	typ.	max.	min.	typ.	max.		
$V_{CC}$	DC supply voltage	2.0	5.0	10.0	4.5	5.0	5.5	V	
$V_I$	DC input voltage range	GND		$V_{CC}$	GND		$V_{CC}$	V	
$V_S$	DC switch voltage range	GND		$V_{CC}$	GND		$V_{CC}$	V	
$T_{amb}$	operating ambient temperature range	-40		+85	-40		+85	°C	see DC and AC CHARACTERIS- TICS
$T_{amb}$	operating ambient temperature range	-40		+125	-40		+125	°C	
$t_r, t_f$	input rise and fall times		6.0	1000 500 400 250		6.0	500	ns	$V_{CC} = 2.0$ V $V_{CC} = 4.5$ V $V_{CC} = 6.0$ V $V_{CC} = 10.0$ V

Quad bilateral switches

74HC/HCT4016

**DC CHARACTERISTICS FOR 74HC/HCT**

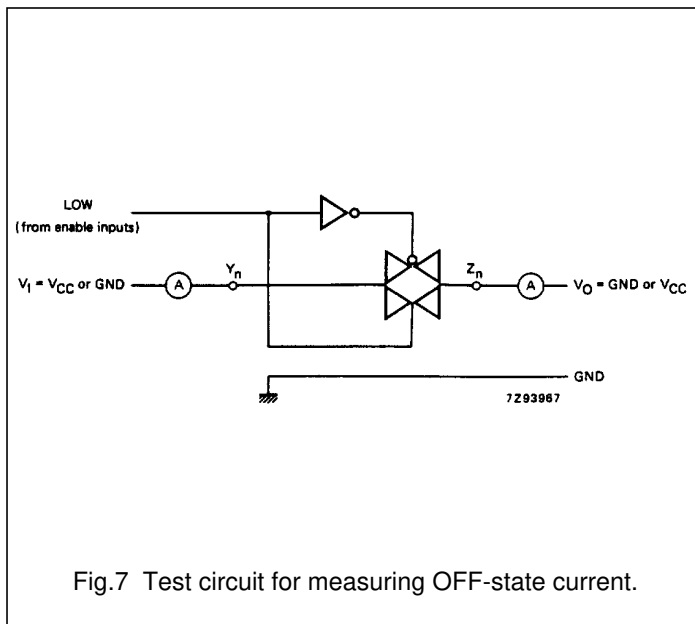
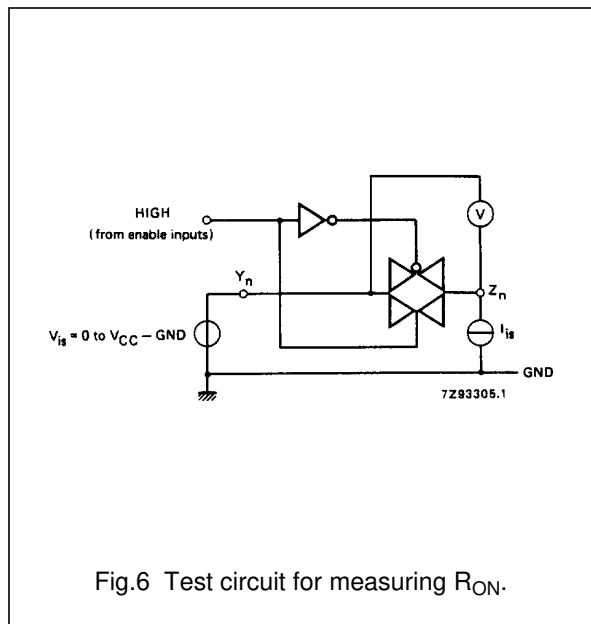
For 74HC:  $V_{CC} = 2.0, 4.5, 6.0$  and  $9.0$  V

For 74HCT:  $V_{CC} = 4.5$  V

SYMBOL	PARAMETER	$T_{amb} (^{\circ}C)$						UNIT	TEST CONDITIONS				
		74HC/HCT							$V_{CC}$ (V)	$I_S$ ( $\mu A$ )	$V_{is}$	$V_I$	
		+25			-40 to +85		-40 to +125						
		min.	typ.	max.	min.	max.	min.						max.
$R_{ON}$	ON resistance (peak)		-	-		-		-	$\Omega$	2.0	100	$V_{CC}$ to GND	$V_{IH}$ or $V_{IL}$
			160	320		400		480	$\Omega$	4.5	1000		
			120	240		300		360	$\Omega$	6.0	1000		
			85	170		213		255	$\Omega$	9.0	1000		
$R_{ON}$	ON resistance (rail)		160	-		-		-	$\Omega$	2.0	100	GND	$V_{IH}$ or $V_{IL}$
			80	160		200		240	$\Omega$	4.5	1000		
			70	140		175		210	$\Omega$	6.0	1000		
			60	120		150		180	$\Omega$	9.0	1000		
$R_{ON}$	ON resistance (rail)		170	-		-		-	$\Omega$	2.0	100	$V_{CC}$	$V_{IH}$ or $V_{IL}$
			90	180		225		270	$\Omega$	4.5	1000		
			80	160		200		240	$\Omega$	6.0	1000		
			65	135		170		205	$\Omega$	9.0	1000		
$\Delta R_{ON}$	maximum $\Delta ON$ resistance between any two channels		-						$\Omega$	2.0		$V_{CC}$ to GND	$V_{IH}$ or $V_{IL}$
			16						$\Omega$	4.5			
			12						$\Omega$	6.0			
			9						$\Omega$	9.0			

**Notes to the DC Characteristics**

- At supply voltages approaching 2.0 V the analog switch ON-resistance becomes extremely non-linear. Therefore it is recommended that these devices be used to transmit digital signals only, when using these supply voltages.
- For test circuit measuring  $R_{ON}$  see Fig.6.



# Quad bilateral switches

# 74HC/HCT4016

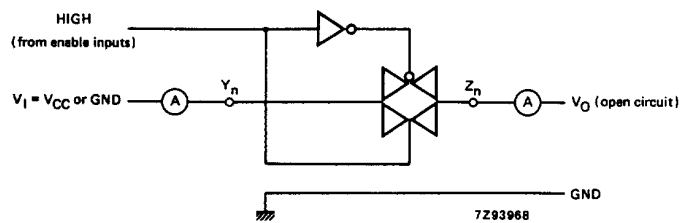


Fig.8 Test circuit for measuring ON-state current.

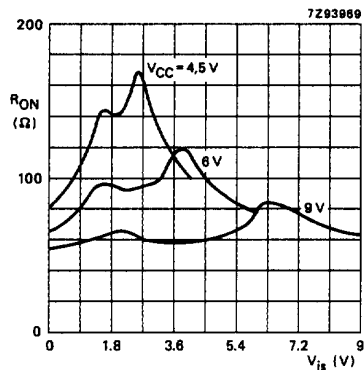


Fig.9 Typical  $R_{ON}$  as a function of input voltage  $V_{is}$  for  $V_{is} = 0$  to  $V_{CC}$ .



## Quad bilateral switches

## 74HC/HCT4016

**DC CHARACTERISTICS FOR 74HC**

Voltages are referenced to GND (ground = 0 V)

SYMBOL	PARAMETER	$T_{amb}$ (°C)								UNIT	TEST CONDITIONS		
		74HC									$V_{CC}$ (V)	$V_I$	OTHER
		+25			-40 to +85		-40 to +125						
		min.	typ.	max.	min.	max.	min.	max.					
$V_{IH}$	HIGH level input voltage	1.5 3.15 4.2 6.3	1.2 2.4 3.2 4.3		1.5 3.15 4.2 6.3		1.5 3.15 4.2 6.3		V	2.0 4.5 6.0 9.0			
$V_{IL}$	LOW level input voltage		0.8 2.1 2.8 4.3	0.50 1.35 1.80 2.70		0.50 1.35 1.80 2.70		0.50 1.35 1.80 2.70	V	2.0 4.5 6.0 9.0			
$\pm I_I$	input leakage current			0.1 0.2		1.0 2.0		1.0 2.0	$\mu A$	6.0 10.0	$V_{CC}$ or GND		
$\pm I_S$	analog switch OFF-state current per channel			0.1		1.0		1.0	$\mu A$	10.0	$V_{IH}$ or $V_{IL}$	$ V_S  = V_{CC} - GND$ (see Fig.7)	
$\pm I_S$	analog switch ON-state current			0.1		1.0		1.0	$\mu A$	10.0	$V_{IH}$ or $V_{IL}$	$ V_S  = V_{CC} - GND$ (see Fig.8)	
$I_{CC}$	quiescent supply current			2.0 4.0		20.0 40.0		40.0 80.0	$\mu A$	6.0 10.0	$V_{CC}$ or GND	$V_{IS} = GND$ or $V_{CC}$ ; $V_{OS} = V_{CC}$ or GND	

**AC CHARACTERISTICS FOR 74HC**GND = 0 V;  $t_r = t_f = 6$  ns;  $C_L = 50$  pF

SYMBOL	PARAMETER	$T_{amb}$ (°C)								UNIT	TEST CONDITIONS	
		74HC									$V_{CC}$ (V)	OTHER
		+25			-40 to +85		-40 to +125					
		min.	typ.	max.	min.	max.	min.	max.				
$t_{PHL}/t_{PLH}$	propagation delay $V_{IS}$ to $V_{OS}$		17 6 5 4	60 12 10 8		75 15 13 10		90 18 15 12	ns	2.0 4.5 6.0 9.0	$R_L = \infty$ ; $C_L = 50$ pF (see Fig.16)	
$t_{PZH}/t_{PZL}$	turn "ON" time $E_n$ to $V_{OS}$		52 19 15 11	190 38 32 28		240 48 41 35		235 57 48 42	ns	2.0 4.5 6.0 9.0	$R_L = 1$ k $\Omega$ ; $C_L = 50$ pF (see Figs 17 and 18)	
$t_{PHZ}/t_{PLZ}$	turn "OFF" time $E_n$ to $V_{OS}$		47 17 14 13	145 29 25 22		180 36 31 28		220 44 38 33	ns	2.0 4.5 6.0 9.0	$R_L = 1$ k $\Omega$ ; $C_L = 50$ pF (see Figs 17 and 18)	

## Quad bilateral switches

## 74HC/HCT4016

**DC CHARACTERISTICS FOR 74HCT**

Voltages are referenced to GND (ground = 0 V)

SYMBOL	PARAMETER	T <sub>amb</sub> (°C)							UNIT	TEST CONDITIONS		
		74HCT								V <sub>CC</sub> (V)	V <sub>I</sub>	OTHER
		+25			-40 to +85		-40 to +125					
		min.	typ.	max.	min.	max.	min.	max.				
V <sub>IH</sub>	HIGH level input voltage	2.0	1.6		2.0		2.0		V	4.5 to 5.5		
V <sub>IL</sub>	LOW level input voltage		1.2	0.8		0.8		0.8	V	4.5 to 5.5		
±I <sub>I</sub>	input leakage current			0.1		1.0		1.0	µA	5.5	V <sub>CC</sub> or GND	
±I <sub>S</sub>	analog switch OFF-state current per channel			0.1		1.0		1.0	µA	5.5	V <sub>IH</sub> or V <sub>IL</sub>	V <sub>S</sub>   = V <sub>CC</sub> - GND (see Fig.7)
±I <sub>S</sub>	analog switch ON-state current			0.1		1.0		1.0	µA	5.5	V <sub>IH</sub> or V <sub>IL</sub>	V <sub>S</sub>   = V <sub>CC</sub> - GND (see Fig.8)
I <sub>CC</sub>	quiescent supply current			2.0		20.0		40.0	µA	4.5 to 5.5	V <sub>CC</sub> or GND	V <sub>is</sub> = GND or V <sub>CC</sub> ; V <sub>os</sub> = V <sub>CC</sub> or GND
ΔI <sub>CC</sub>	additional quiescent supply current per input pin for unit load coefficient is 1 (note 1)		100	360		450		490	µA	4.5 to 5.5	V <sub>CC</sub> -2.1V	other inputs at V <sub>CC</sub> or GND

**Note**

- The value of additional quiescent supply current (ΔI<sub>CC</sub>) for a unit load of 1 is given here. To determine ΔI<sub>CC</sub> per input, multiply this value by the unit load coefficient shown in the table below.

INPUT	UNIT LOAD COEFFICIENT
E <sub>N</sub>	1.00

## Quad bilateral switches

## 74HC/HCT4016

**AC CHARACTERISTICS FOR 74HCT**GND = 0 V;  $t_r = t_f = 6$  ns;  $C_L = 50$  pF

SYMBOL	PARAMETER	$T_{amb}$ (°C)								UNIT	TEST CONDITIONS	
		74HCT									$V_{CC}$ (V)	OTHER
		+25			-40 to +85		-40 to +125					
		min.	typ.	max.	min.	max.	min.	max.				
$t_{PHL}/t_{PLH}$	propagation delay $V_{is}$ to $V_{os}$		6	12		15		18	ns	4.5	$R_L = \infty$ ; $C_L = 50$ pF (see Fig.16)	
$t_{PZH}$	turn "ON" time $E_n$ to $V_{os}$		19	35		44		53	ns	4.5	$R_L = 1$ k $\Omega$ ; $C_L = 50$ pF (see Figs 17 and 18)	
$t_{PZL}$	turn "ON" time $E_n$ to $V_{os}$		20	35		44		53	ns	4.5	$R_L = 1$ k $\Omega$ ; $C_L = 50$ pF (see Figs 17 and 18)	
$t_{PHZ}/t_{PLZ}$	turn "OFF" time $E_n$ to $V_{os}$		23	35		44		53	ns	4.5	$R_L = 1$ k $\Omega$ ; $C_L = 50$ pF (see Figs 17 and 18)	

**ADDITIONAL AC CHARACTERISTICS FOR 74HC/HCT****Recommended conditions and typical values**GND = 0 V;  $t_r = t_f = 6$  ns

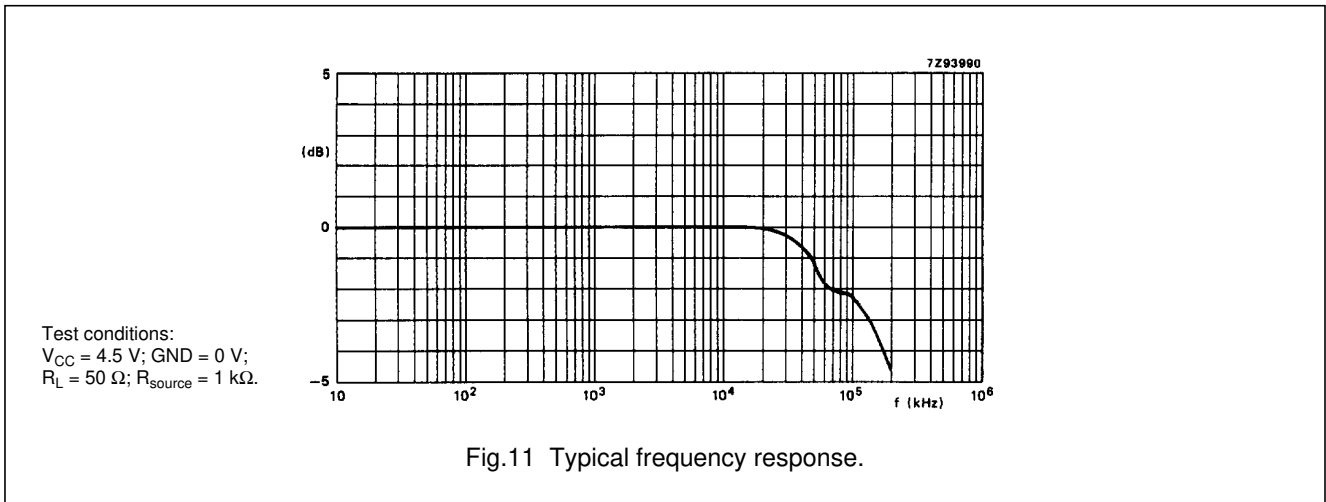
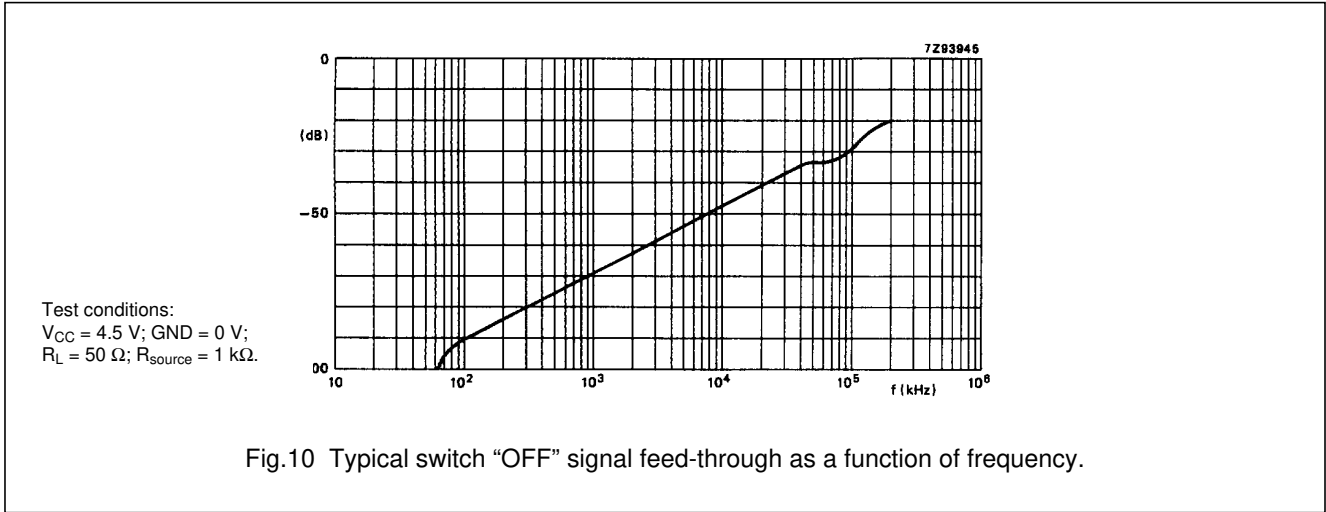
SYMBOL	PARAMETER	typ.	UNIT	$V_{CC}$ (V)	$V_{is(p-p)}$ (V)	CONDITIONS
	sine-wave distortion $f = 1$ kHz	0.80 0.40	% %	4.5 9.0	4.0 8.0	$R_L = 10$ k $\Omega$ ; $C_L = 50$ pF (see Fig.14)
	sine-wave distortion $f = 10$ kHz	2.40 1.20	% %	4.5 9.0	4.0 8.0	$R_L = 10$ k $\Omega$ ; $C_L = 50$ pF (see Fig.14)
	switch "OFF" signal feed-through	-50 -50	dB dB	4.5 9.0	note 3	$R_L = 600$ $\Omega$ ; $C_L = 50$ pF; $f = 1$ MHz (see Figs 10 and 15)
	crosstalk between any two switches	-60 -60	dB dB	4.5 9.0	note 3	$R_L = 600$ $\Omega$ ; $C_L = 50$ pF; $f = 1$ MHz (see Fig.12)
$V_{(p-p)}$	crosstalk voltage between enable or address input to any switch (peak-to-peak value)	110 220	mV mV	4.5 9.0		$R_L = 600$ $\Omega$ ; $C_L = 50$ pF; $f = 1$ MHz ( $E_n$ , square wave between $V_{CC}$ and GND, $t_r = t_f = 6$ ns) (see Fig.13)
$f_{max}$	minimum frequency response (-3dB)	150 160	MHz MHz	4.5 9.0	note 4	$R_L = 50$ $\Omega$ ; $C_L = 10$ pF (see Figs 11 and 14)
$C_S$	maximum switch capacitance	5	pF			

**Notes**

- $V_{is}$  is the input voltage at a  $Y_n$  or  $Z_n$  terminal, whichever is assigned as an input.
- $V_{os}$  is the output voltage at a  $Y_n$  or  $Z_n$  terminal, whichever is assigned as an output.
- Adjust input voltage  $V_{is}$  to 0 dBm level (0 dBm = 1 mW into 600  $\Omega$ ).
- Adjust input voltage  $V_{is}$  to 0 dBm level at  $V_{os}$  for 1 MHz (0 dBm = 1 mW into 50  $\Omega$ ).

Quad bilateral switches

74HC/HCT4016



Quad bilateral switches

74HC/HCT4016

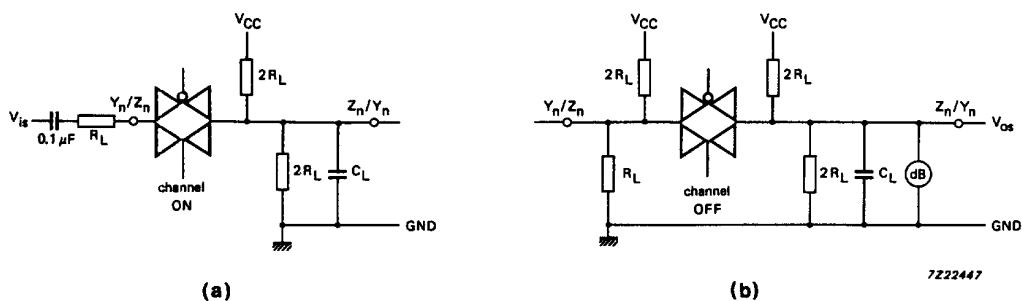


Fig.12 Test circuit for measuring crosstalk between any two switches.  
(a) channel ON condition; (b) channel OFF condition.

The crosstalk is defined as follows  
(oscilloscope output):

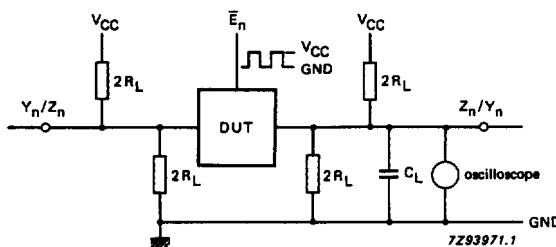
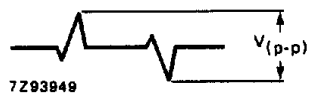


Fig.13 Test circuit for measuring crosstalk between control and any switch.

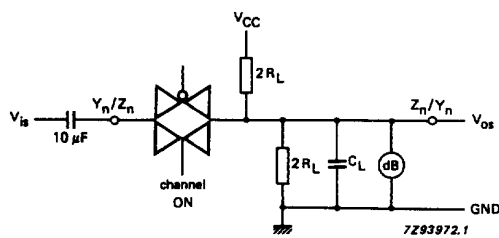


Fig.14 Test circuit for measuring sine-wave distortion and minimum frequency response.

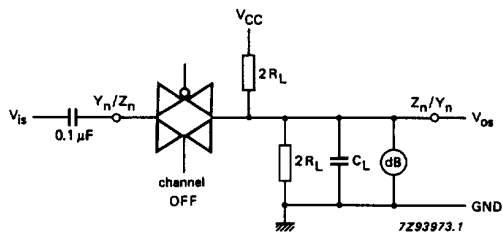


Fig.15 Test circuit for measuring switch "OFF" signal feed-through.

Quad bilateral switches

74HC/HCT4016

AC WAVEFORMS

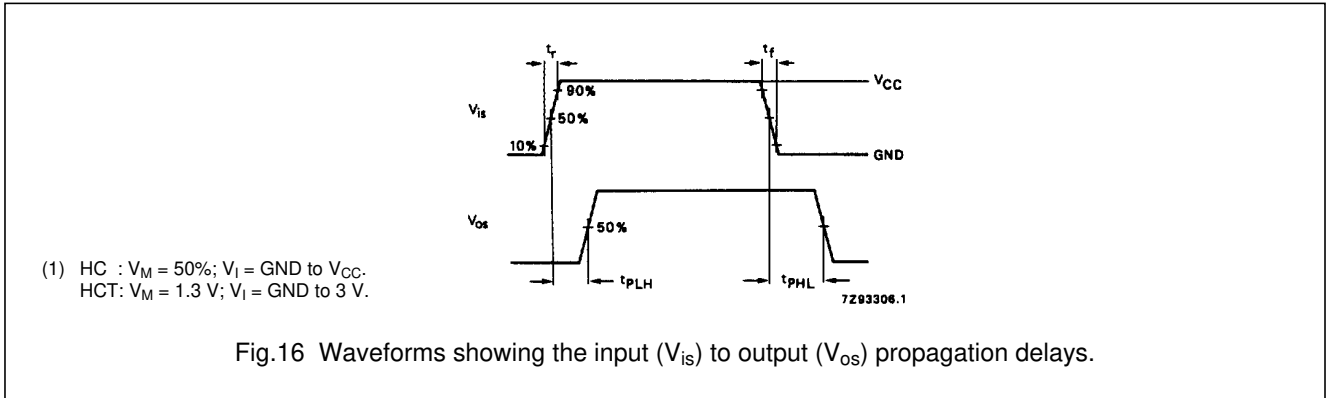


Fig.16 Waveforms showing the input ( $V_{is}$ ) to output ( $V_{os}$ ) propagation delays.

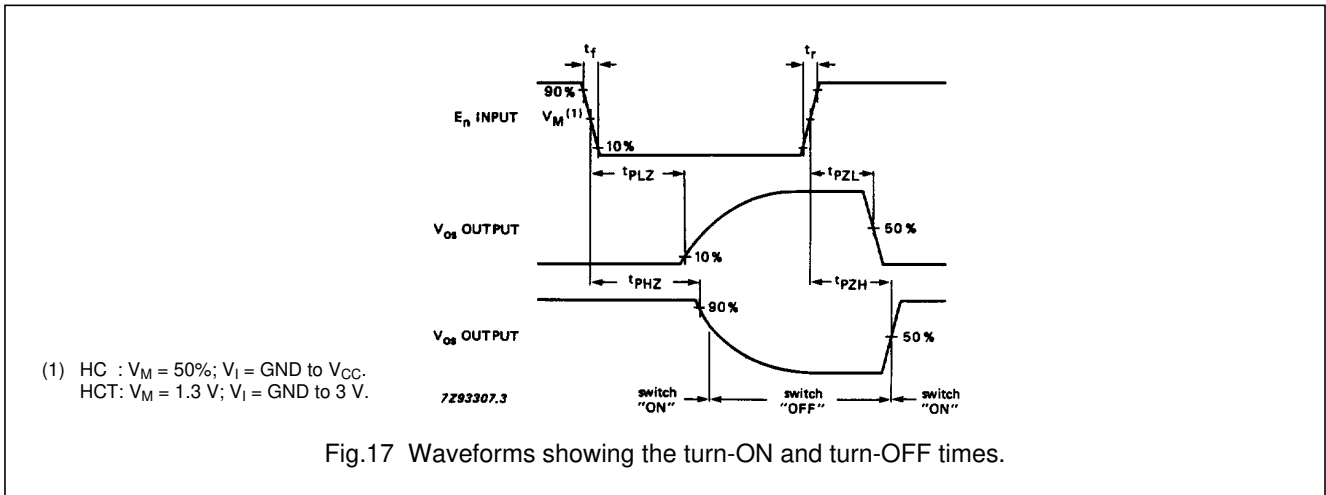


Fig.17 Waveforms showing the turn-ON and turn-OFF times.

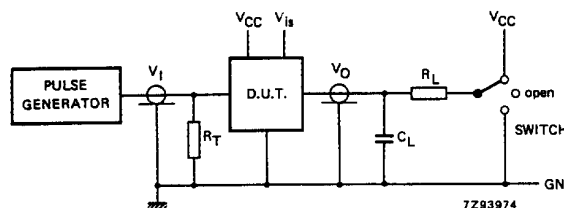
# Quad bilateral switches

# 74HC/HCT4016

## TEST CIRCUIT AND WAVEFORMS

### Conditions

TEST	SWITCH	V <sub>is</sub>
t <sub>PZH</sub>	GND	V <sub>CC</sub>
t <sub>PZL</sub>	V <sub>CC</sub>	GND
t <sub>PHZ</sub>	GND	V <sub>CC</sub>
t <sub>PLZ</sub>	V <sub>CC</sub>	GND
others	open	pulse

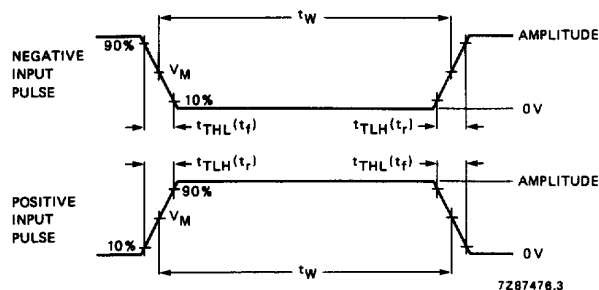


C<sub>L</sub> = load capacitance including jig and probe capacitance (see AC CHARACTERISTICS for values).  
 R<sub>T</sub> = termination resistance should be equal to the output impedance Z<sub>O</sub> of the pulse generator.  
 t<sub>r</sub> = t<sub>f</sub> = 6 ns; when measuring f<sub>max</sub>, there is no constraint t<sub>r</sub>, t<sub>f</sub> with 50% duty factor.

FAMILY	AMPLITUDE	V <sub>M</sub>	t <sub>r</sub> ; t <sub>f</sub>	
			f <sub>max</sub> ; PULSE WIDTH	OTHER
74HC	V <sub>CC</sub>	50%	< 2 ns	6 ns
74HCT	3.0 V	1.3 V	< 2 ns	6 ns

Fig.18 Test circuit for measuring AC performance.

C<sub>L</sub> = load capacitance including jig and probe capacitance (see AC CHARACTERISTICS for values).  
 R<sub>T</sub> = termination resistance should be equal to the output impedance Z<sub>O</sub> of the pulse generator.  
 t<sub>r</sub> = t<sub>f</sub> = 6 ns; when measuring f<sub>max</sub>, there is no constraint t<sub>r</sub>, t<sub>f</sub> with 50% duty factor.



FAMILY	AMPLITUDE	V <sub>M</sub>	t <sub>r</sub> ; t <sub>f</sub>	
			f <sub>max</sub> ; PULSE WIDTH	OTHER
74HC	V <sub>CC</sub>	50%	< 2 ns	6 ns
74HCT	3.0 V	1.3 V	< 2 ns	6 ns

Fig.19 Input pulse definitions.

## PACKAGE OUTLINES

See "74HC/HCT/HCU/HCMOS Logic Package Outlines".