



Chipsmall Limited consists of a professional team with an average of over 10 year of expertise in the distribution of electronic components. Based in Hongkong, we have already established firm and mutual-benefit business relationships with customers from,Europe,America and south Asia,supplying obsolete and hard-to-find components to meet their specific needs.

With the principle of “Quality Parts,Customers Priority,Honest Operation,and Considerate Service”,our business mainly focus on the distribution of electronic components. Line cards we deal with include Microchip,ALPS,ROHM,Xilinx,Pulse,ON,Everlight and Freescale. Main products comprise IC,Modules,Potentiometer,IC Socket,Relay,Connector.Our parts cover such applications as commercial,industrial, and automotives areas.

We are looking forward to setting up business relationship with you and hope to provide you with the best service and solution. Let us make a better world for our industry!



## Contact us

Tel: +86-755-8981 8866 Fax: +86-755-8427 6832

Email & Skype: info@chipsmall.com Web: www.chipsmall.com

Address: A1208, Overseas Decoration Building, #122 Zhenhua RD., Futian, Shenzhen, China



## Important notice

Dear Customer,

On 7 February 2017 the former NXP Standard Product business became a new company with the tradename **Nexperia**. Nexperia is an industry leading supplier of Discrete, Logic and PowerMOS semiconductors with its focus on the automotive, industrial, computing, consumer and wearable application markets

In data sheets and application notes which still contain NXP or Philips Semiconductors references, use the references to Nexperia, as shown below.

Instead of <http://www.nxp.com>, <http://www.philips.com/> or <http://www.semiconductors.philips.com/>, use <http://www.nexperia.com>

Instead of [sales.addresses@www.nxp.com](mailto:sales.addresses@www.nxp.com) or [sales.addresses@www.semiconductors.philips.com](mailto:sales.addresses@www.semiconductors.philips.com), use [salesaddresses@nexperia.com](mailto:salesaddresses@nexperia.com) (email)

Replace the copyright notice at the bottom of each page or elsewhere in the document, depending on the version, as shown below:

- © NXP N.V. (year). All rights reserved or © Koninklijke Philips Electronics N.V. (year). All rights reserved

Should be replaced with:

- © **Nexperia B.V. (year). All rights reserved.**

If you have any questions related to the data sheet, please contact our nearest sales office via e-mail or telephone (details via [salesaddresses@nexperia.com](mailto:salesaddresses@nexperia.com)). Thank you for your cooperation and understanding,

Kind regards,

Team Nexperia

# 74LVC823A

9-bit D-type flip-flop with 5 V tolerant inputs/outputs; positive edge-trigger; 3-state

Rev. 4 — 8 April 2013

Product data sheet

## 1. General description

---

The 74LVC823A is a 9-bit D-type flip-flop with common clock (pin CP), clock enable (pin  $\overline{CE}$ ), master reset (pin  $\overline{MR}$ ) and 3-state outputs (pins Qn) for bus-oriented applications. The 9 flip-flops stores the state of their individual D-inputs that meet the set-up and hold times requirements on the LOW to HIGH CP transition, provided pin  $\overline{CE}$  is LOW. When pin  $\overline{CE}$  is HIGH, the flip-flops hold their data. A LOW on pin  $\overline{MR}$  resets all flip-flops. When pin  $\overline{OE}$  is LOW, the contents of the 9 flip-flops are available at the outputs. When pin  $\overline{OE}$  is HIGH, the outputs go to the high-impedance OFF-state. Operation of the  $\overline{OE}$  input does not affect the state of the flip-flops.

Inputs can be driven from either 3.3 V or 5 V devices. When disabled, up to 5.5 V can be applied to the outputs. These features allow the use of these devices as translators in mixed 3.3 V and 5 V applications.

## 2. Features and benefits

---

- 5 V tolerant inputs/outputs for interfacing with 5 V logic
- Wide supply voltage range from 1.2 V to 3.6 V
- CMOS low power consumption
- Direct interface with TTL levels
- Flow-through pinout architecture
- 9-bit positive edge-triggered register
- Independent register and 3-state buffer operation
- Complies with JEDEC standard:
  - ◆ JESD8-7A (1.65 V to 1.95 V)
  - ◆ JESD8-5A (2.3 V to 2.7 V)
  - ◆ JESD8-C/JESD36 (2.7 V to 3.6 V)
- ESD protection:
  - ◆ HBM JESD22-A114F exceeds 2000 V
  - ◆ MM JESD22-A115-B exceeds 200 V
  - ◆ CDM JESD22-C101E exceeds 1000 V
- Specified from  $-40\text{ }^{\circ}\text{C}$  to  $+85\text{ }^{\circ}\text{C}$  and  $-40\text{ }^{\circ}\text{C}$  to  $+125\text{ }^{\circ}\text{C}$ .



### 3. Ordering information

Table 1. Ordering information

Type number	Package			Version
	Temperature range	Name	Description	
74LVC823AD	-40 °C to +125 °C	SO24	plastic small outline package; 24 leads; body width 7.5 mm	SOT137-1
74LVC823ADB	-40 °C to +125 °C	SSOP24	plastic shrink small outline package; 24 leads; body width 5.3 mm	SOT340-1
74LVC823APW	-40 °C to +125 °C	TSSOP24	plastic thin shrink small outline package; 24 leads; body width 4.4 mm	SOT355-1
74LVC823ABQ	-40 °C to +125 °C	DHVQFN24	plastic dual in-line compatible thermal enhanced very thin quad flat package; no leads; 24 terminals; body 3.5 × 5.5 × 0.85 mm	SOT815-1

### 4. Functional diagram

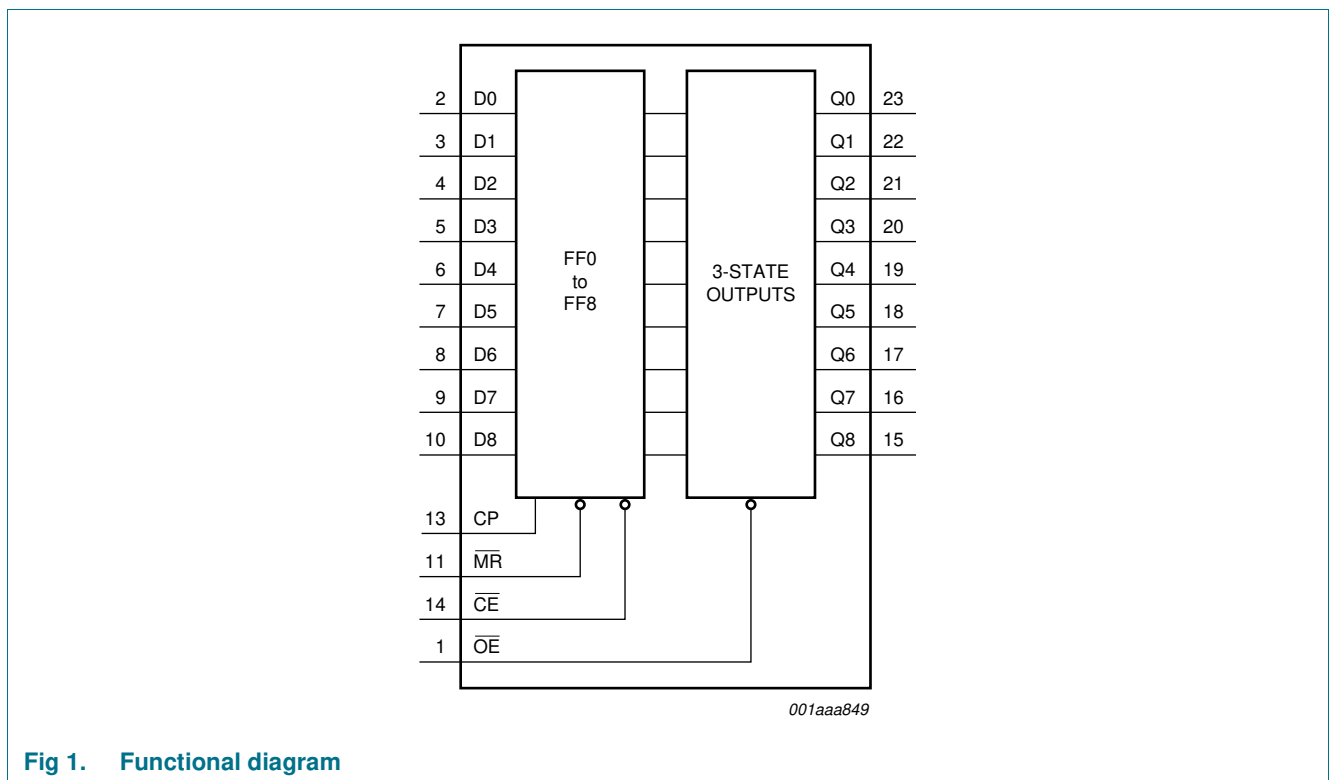


Fig 1. Functional diagram

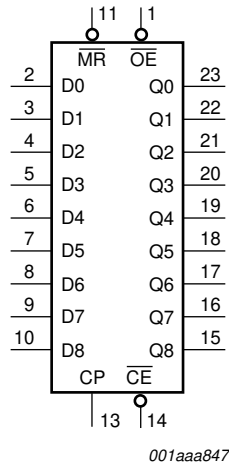


Fig 2. Logic symbol

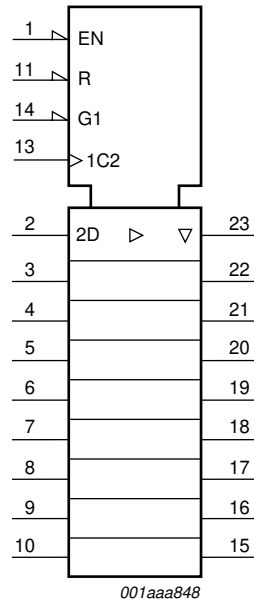


Fig 3. IEC logic symbol

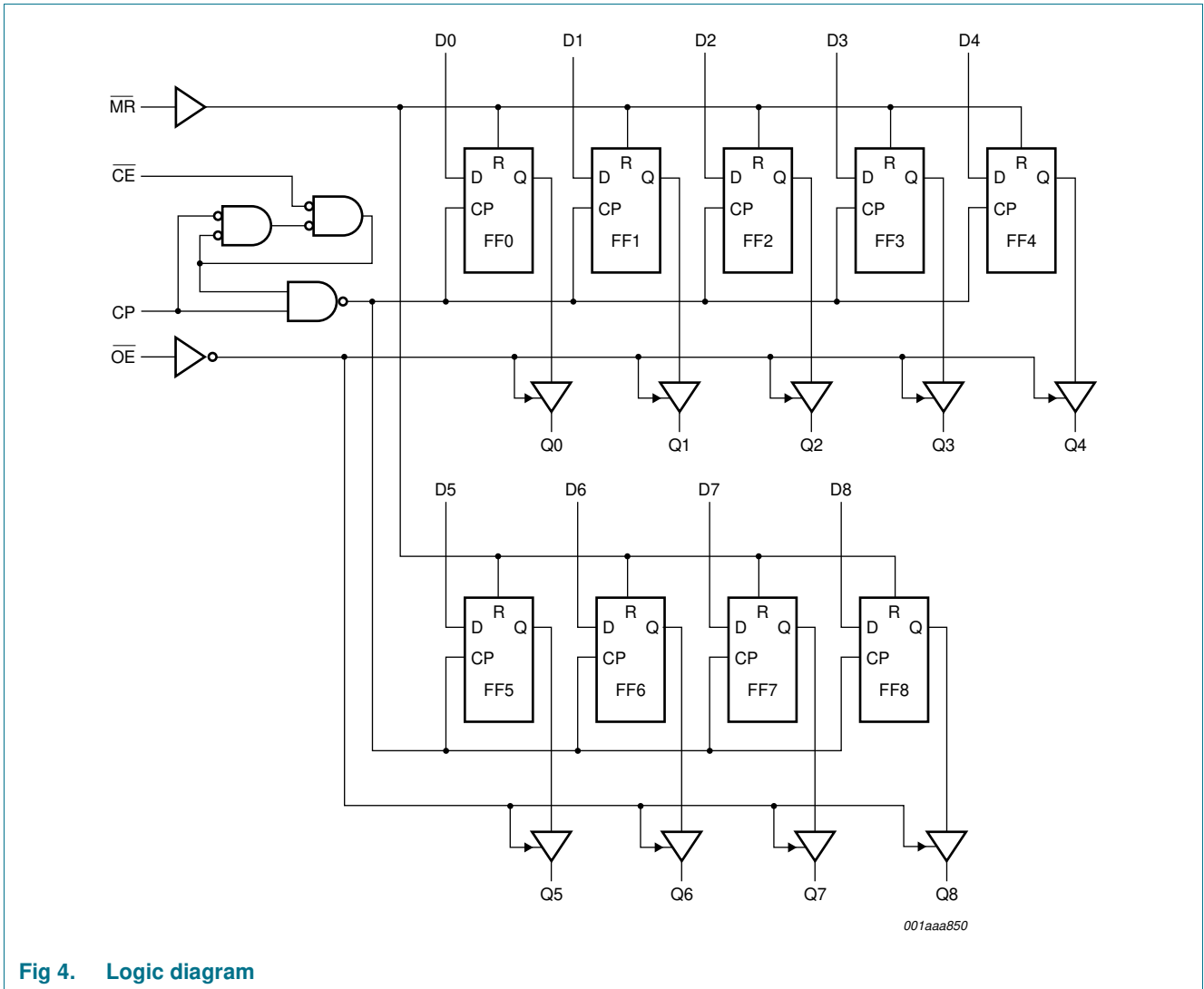
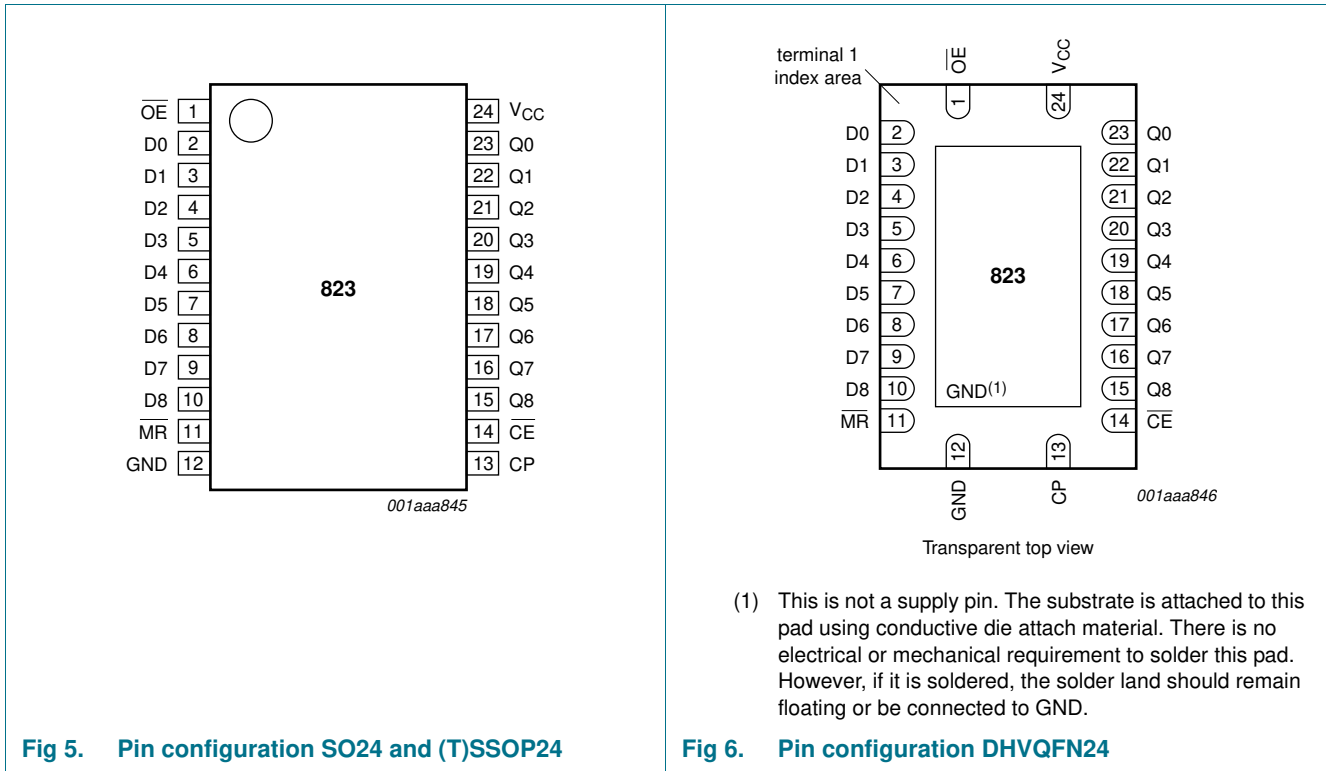


Fig 4. Logic diagram

## 5. Pinning information

### 5.1 Pinning



### 5.2 Pin description

Table 2. Pin description

Pin	Name	Description
OE	1	output enable input (active LOW)
MR	11	master reset input (active LOW)
D[0:8]	2, 3, 4, 5, 6, 7, 8, 9, 10	data input
Q[0:8]	23, 22, 21, 20, 19, 18, 17, 16, 15	3-state flip-flop output
CP	13	clock input (LOW to HIGH; edge-triggered)
CE	14	clock enable input (active LOW)
GND	12	ground (0 V)
V <sub>CC</sub>	24	supply voltage

## 6. Functional description

Table 3. Function table [\[1\]](#)

Operating mode	Input					Internal flip-flop	Output Qn
	OE	MR	CE	CP	Dn		
Clear	L	L	X	X	X	L	L
Load and read register	L	H	L	↑	l	L	L
	L	H	L	↑	h	H	H
Load register and disable outputs	H	H	L	↑	l	L	Z
	H	H	L	↑	h	H	Z
Hold	L	H	H	NC	X	NC	NC

- [1] H = HIGH voltage level  
 h = HIGH voltage level one set-up time prior to the LOW to HIGH CP transition  
 L = LOW voltage level  
 l = LOW voltage level one set-up time prior to the LOW to HIGH CP transition  
 Z = high-impedance OFF-state  
 ↑ = LOW to HIGH level transition  
 X = don't care  
 NC = no change

## 7. Limiting values

Table 4. Limiting values

In accordance with the Absolute Maximum Rating System (IEC 60134). Voltages are referenced to GND (ground = 0 V).

Symbol	Parameter	Conditions	Min	Max	Unit
$V_{CC}$	supply voltage		-0.5	+6.5	V
$I_{IK}$	input clamping current	$V_I < 0$ V	-50	-	mA
$V_I$	input voltage		<a href="#">[1]</a> -0.5	+6.5	V
$I_{OK}$	output clamping current	$V_O > V_{CC}$ or $V_O < 0$ V	-	±50	mA
$V_O$	output voltage	HIGH or LOW state	<a href="#">[2]</a> -0.5	$V_{CC} + 0.5$	V
		3-state	<a href="#">[2]</a> -0.5	+6.5	V
$I_O$	output current	$V_O = 0$ V to $V_{CC}$	-	±50	mA
$I_{CC}$	supply current		-	100	mA
$I_{GND}$	ground current		-100	-	mA
$T_{stg}$	storage temperature		-65	+150	°C
$P_{tot}$	total power dissipation	$T_{amb} = -40$ °C to +125 °C	<a href="#">[3]</a> -	500	mW

- [1] The minimum input voltage ratings may be exceeded if the input current ratings are observed.  
 [2] The output voltage ratings may be exceeded if the output current ratings are observed.  
 [3] For SO24 packages:  $P_{tot}$  derates linearly with 8 mW/K above 70 °C.  
 For SSOP24 and TSSOP24 packages:  $P_{tot}$  derates linearly with 5.5 mW/K above 60 °C.  
 For DHVQFN24 packages:  $P_{tot}$  derates linearly with 4.5 mW/K above 60 °C.



## 8. Recommended operating conditions

**Table 5. Recommended operating conditions**

Symbol	Parameter	Conditions	Min	Typ	Max	Unit
V <sub>CC</sub>	supply voltage		1.65	-	3.6	V
		functional	1.2	-	-	V
V <sub>I</sub>	input voltage		0	-	5.5	V
V <sub>O</sub>	output voltage	HIGH or LOW state	0	-	V <sub>CC</sub>	V
		3-state	0	-	5.5	V
T <sub>amb</sub>	ambient temperature	in free air	-40	-	+125	°C
Δt/ΔV	input transition rise and fall rate	V <sub>CC</sub> = 1.65 V to 2.7 V	0	-	20	ns/V
		V <sub>CC</sub> = 2.7 V to 3.6 V	0	-	10	ns/V

## 9. Static characteristics

**Table 6. Static characteristics**

At recommended operating conditions. Voltages are referenced to GND (ground = 0 V).

Symbol	Parameter	Conditions	-40 °C to +85 °C			-40 °C to +125 °C		Unit
			Min	Typ <sup>[1]</sup>	Max	Min	Max	
V <sub>IH</sub>	HIGH-level input voltage	V <sub>CC</sub> = 1.2 V	1.08	-	-	1.08	-	V
		V <sub>CC</sub> = 1.65 V to 1.95 V	0.65 × V <sub>CC</sub>	-	-	0.65 × V <sub>CC</sub>	-	V
		V <sub>CC</sub> = 2.3 V to 2.7 V	1.7	-	-	1.7	-	V
		V <sub>CC</sub> = 2.7 V to 3.6 V	2.0	-	-	2.0	-	V
V <sub>IL</sub>	LOW-level input voltage	V <sub>CC</sub> = 1.2 V	-	-	0.12	-	0.12	V
		V <sub>CC</sub> = 1.65 V to 1.95 V	-	-	0.35 × V <sub>CC</sub>	-	0.35 × V <sub>CC</sub>	V
		V <sub>CC</sub> = 2.3 V to 2.7 V	-	-	0.7	-	0.7	V
		V <sub>CC</sub> = 2.7 V to 3.6 V	-	-	0.8	-	0.8	V
V <sub>OH</sub>	HIGH-level output voltage	V <sub>I</sub> = V <sub>IH</sub> or V <sub>IL</sub>						
		I <sub>O</sub> = -100 μA; V <sub>CC</sub> = 1.65 V to 3.6 V	V <sub>CC</sub> - 0.2	-	-	V <sub>CC</sub> - 0.3	-	V
		I <sub>O</sub> = -4 mA; V <sub>CC</sub> = 1.65 V	1.2	-	-	1.05	-	V
		I <sub>O</sub> = -8 mA; V <sub>CC</sub> = 2.3 V	1.8	-	-	1.65	-	V
		I <sub>O</sub> = -12 mA; V <sub>CC</sub> = 2.7 V	2.2	-	-	2.05	-	V
		I <sub>O</sub> = -18 mA; V <sub>CC</sub> = 3.0 V	2.4	-	-	2.25	-	V
V <sub>OL</sub>	LOW-level output voltage	V <sub>I</sub> = V <sub>IH</sub> or V <sub>IL</sub>						
		I <sub>O</sub> = 100 μA; V <sub>CC</sub> = 1.65 V to 3.6 V	-	-	0.2	-	0.3	V
		I <sub>O</sub> = 4 mA; V <sub>CC</sub> = 1.65 V	-	-	0.45	-	0.65	V
		I <sub>O</sub> = 8 mA; V <sub>CC</sub> = 2.3 V	-	-	0.6	-	0.8	V
		I <sub>O</sub> = 12 mA; V <sub>CC</sub> = 2.7 V	-	-	0.4	-	0.6	V
		I <sub>O</sub> = 24 mA; V <sub>CC</sub> = 3.0 V	-	-	0.55	-	0.8	V
I <sub>I</sub>	input leakage current	V <sub>CC</sub> = 3.6 V; V <sub>I</sub> = 5.5 V or GND	-	±0.1	±5	-	±20	μA

**Table 6. Static characteristics ...continued**

At recommended operating conditions. Voltages are referenced to GND (ground = 0 V).

Symbol	Parameter	Conditions	-40 °C to +85 °C			-40 °C to +125 °C		Unit
			Min	Typ <sup>[1]</sup>	Max	Min	Max	
I <sub>OZ</sub>	OFF-state output current	V <sub>I</sub> = V <sub>IH</sub> or V <sub>IL</sub> ; V <sub>CC</sub> = 3.6 V; V <sub>O</sub> = 5.5 V or GND;	-	0.1	±5	-	±20	µA
I <sub>OFF</sub>	power-off leakage current	V <sub>CC</sub> = 0 V; V <sub>I</sub> or V <sub>O</sub> = 5.5 V	-	0.1	±10	-	±20	µA
I <sub>CC</sub>	supply current	V <sub>CC</sub> = 3.6 V; V <sub>I</sub> = V <sub>CC</sub> or GND; I <sub>O</sub> = 0 A	-	0.1	10	-	40	µA
ΔI <sub>CC</sub>	additional supply current	per input pin; V <sub>CC</sub> = 2.7 V to 3.6 V; V <sub>I</sub> = V <sub>CC</sub> - 0.6 V; I <sub>O</sub> = 0 A	-	5	500	-	5000	µA
C <sub>I</sub>	input capacitance	V <sub>CC</sub> = 0 V to 3.6 V; V <sub>I</sub> = GND to V <sub>CC</sub>	-	5.0	-	-	-	pF

[1] All typical values are measured at V<sub>CC</sub> = 3.3 V (unless stated otherwise) and T<sub>amb</sub> = 25 °C.

## 10. Dynamic characteristics

**Table 7. Dynamic characteristics**

Voltages are referenced to GND (ground = 0 V). For test circuit see [Figure 11](#).

Symbol	Parameter	Conditions	T <sub>amb</sub> = -40 °C to +85 °C			-40 °C to +125 °C		Unit
			Min	Typ <sup>[1]</sup>	Max	Min	Max	
t <sub>pd</sub>	propagation delay	CP to Qn; see <a href="#">Figure 7</a>						
		V <sub>CC</sub> = 1.2 V	-	20	-	-	-	ns
		V <sub>CC</sub> = 1.65 V to 1.95 V	2.4	8.4	18.7	2.4	21.5	ns
		V <sub>CC</sub> = 2.3 V to 2.7 V	1.7	4.4	9.6	1.7	11.1	ns
		V <sub>CC</sub> = 2.7 V	1.5	4.1	8.9	1.5	11.5	ns
t <sub>PHL</sub>	HIGH to LOW propagation delay	MR to Qn; see <a href="#">Figure 9</a>						
		V <sub>CC</sub> = 1.2 V	-	15	-	-	-	ns
		V <sub>CC</sub> = 1.65 V to 1.95 V	2.1	9.5	21.4	2.1	24.7	ns
		V <sub>CC</sub> = 2.3 V to 2.7 V	1.5	4.9	10.5	1.5	12.1	ns
		V <sub>CC</sub> = 2.7 V	1.5	4.7	8.8	1.5	11.0	ns
t <sub>en</sub>	enable time	OE to Qn; see <a href="#">Figure 10</a>						
		V <sub>CC</sub> = 1.2 V	-	18	-	-	-	ns
		V <sub>CC</sub> = 1.65 V to 1.95 V	1.7	7.4	16.5	1.7	19.0	ns
		V <sub>CC</sub> = 2.3 V to 2.7 V	1.5	4.2	9.1	1.5	10.5	ns
		V <sub>CC</sub> = 2.7 V	1.5	4.3	8.3	1.5	10.5	ns
		V <sub>CC</sub> = 3.0 V to 3.6 V	1.5	3.4	7.2	1.5	9.0	ns

**Table 7. Dynamic characteristics ...continued**  
 Voltages are referenced to GND (ground = 0 V). For test circuit see [Figure 11](#).

Symbol	Parameter	Conditions	T <sub>amb</sub> = -40 °C to +85 °C			-40 °C to +125 °C		Unit
			Min	Typ <sup>[1]</sup>	Max	Min	Max	
t <sub>dis</sub>	disable time	$\overline{OE}$ to Qn; see <a href="#">Figure 10</a> <sup>[2]</sup>						
		V <sub>CC</sub> = 1.2 V	-	8.0	-	-	-	ns
		V <sub>CC</sub> = 1.65 V to 1.95 V	2.3	4.2	10.0	2.3	11.5	ns
		V <sub>CC</sub> = 2.3 V to 2.7 V	1.0	2.3	5.6	1.0	6.5	ns
		V <sub>CC</sub> = 2.7 V	1.5	3.2	7.1	1.5	9.0	ns
t <sub>w</sub>	pulse width	clock HIGH or LOW; see <a href="#">Figure 7</a>						
		V <sub>CC</sub> = 1.65 V to 1.95 V	5.0	-	-	5.0	-	ns
		V <sub>CC</sub> = 2.3 V to 2.7 V	4.0	-	-	4.0	-	ns
		V <sub>CC</sub> = 2.7 V	3.3	-	-	3.3	-	ns
		V <sub>CC</sub> = 3.0 V to 3.6 V	3.3	1.7	-	3.3	-	ns
		master reset HIGH or LOW; see <a href="#">Figure 9</a>						
		V <sub>CC</sub> = 1.65 V to 1.95 V	5.0	-	-	5.0	-	ns
		V <sub>CC</sub> = 2.3 V to 2.7 V	4.0	-	-	4.0	-	ns
		V <sub>CC</sub> = 2.7 V	3.3	-	-	3.3	-	ns
		V <sub>CC</sub> = 3.0 V to 3.6 V	3.3	1.7	-	3.3	-	ns
t <sub>su</sub>	set-up time	Dn to CP; see <a href="#">Figure 8</a>						
		V <sub>CC</sub> = 1.65 V to 1.95 V	3.0	-	-	3.0	-	ns
		V <sub>CC</sub> = 2.3 V to 2.7 V	2.0	-	-	2.0	-	ns
		V <sub>CC</sub> = 2.7 V	1.0	-	-	1.0	-	ns
		V <sub>CC</sub> = 3.0 V to 3.6 V	+1.8	-0.8	-	+1.8	-	ns
		$\overline{CE}$ to CP; see <a href="#">Figure 8</a>						
		V <sub>CC</sub> = 1.65 V to 1.95 V	3.0	-	-	3.0	-	ns
		V <sub>CC</sub> = 2.3 V to 2.7 V	2.0	-	-	2.0	-	ns
		V <sub>CC</sub> = 2.7 V	1.8	-	-	1.8	-	ns
		V <sub>CC</sub> = 3.0 V to 3.6 V	1.3	0.0	-	1.3	-	ns
t <sub>rec</sub>	recovery time	$\overline{MR}$ ; see <a href="#">Figure 9</a>						
		V <sub>CC</sub> = 1.65 V to 1.95 V	3.0	-	-	3.0	-	ns
		V <sub>CC</sub> = 2.3 V to 2.7 V	2.5	-	-	2.5	-	ns
		V <sub>CC</sub> = 2.7 V	2.0	-	-	2.0	-	ns
		V <sub>CC</sub> = 3.0 V to 3.6 V	+1.0	-0.5	-	+1.0	-	ns

**Table 7. Dynamic characteristics ...continued**

*Voltages are referenced to GND (ground = 0 V). For test circuit see [Figure 11](#).*

Symbol	Parameter	Conditions	T <sub>amb</sub> = -40 °C to +85 °C			-40 °C to +125 °C		Unit	
			Min	Typ <sup>[1]</sup>	Max	Min	Max		
t <sub>h</sub>	hold time	Dn to CP; see <a href="#">Figure 8</a>							
		V <sub>CC</sub> = 1.65 V to 1.95 V	3.0	-	-	3.0	-	ns	
		V <sub>CC</sub> = 2.3 V to 2.7 V	2.5	-	-	2.5	-	ns	
		V <sub>CC</sub> = 2.7 V	2.0	-	-	2.0	-	ns	
		V <sub>CC</sub> = 3.0 V to 3.6 V	2.0	0.8	-	2.0	-	ns	
		$\overline{\text{CE}}$ to CP; see <a href="#">Figure 8</a>							
		V <sub>CC</sub> = 1.65 V to 1.95 V	3.0	-	-	3.0	-	ns	
		V <sub>CC</sub> = 2.3 V to 2.7 V	2.0	-	-	2.0	-	ns	
		V <sub>CC</sub> = 2.7 V	1.3	-	-	1.3	-	ns	
		V <sub>CC</sub> = 3.0 V to 3.6 V	1.3	0.0	-	1.3	-	ns	
f <sub>max</sub>	maximum frequency	see <a href="#">Figure 7</a>							
		V <sub>CC</sub> = 1.65 V to 1.95 V	100	-	-	80	-	MHz	
		V <sub>CC</sub> = 2.3 V to 2.7 V	125	-	-	100	-	MHz	
		V <sub>CC</sub> = 2.7 V	150	-	-	120	-	MHz	
		V <sub>CC</sub> = 3.0 V to 3.6 V	150	200	-	120	-	MHz	
t <sub>sk(o)</sub>	output skew time	V <sub>CC</sub> = 3.0 V to 3.6 V	<sup>[3]</sup>	-	-	1.0	-	1.5	ns
C <sub>PD</sub>	power dissipation capacitance	per input; V <sub>I</sub> = GND to V <sub>CC</sub>	<sup>[4]</sup>						
		V <sub>CC</sub> = 1.65 V to 1.95 V	-	12.4	-	-	-	pF	
		V <sub>CC</sub> = 2.3 V to 2.7 V	-	14.5	-	-	-	pF	
		V <sub>CC</sub> = 3.0 V to 3.6 V	-	16.4	-	-	-	pF	

[1] Typical values are measured at T<sub>amb</sub> = 25 °C and V<sub>CC</sub> = 1.2 V, 1.8 V, 2.5 V, 2.7 V and 3.3 V respectively.

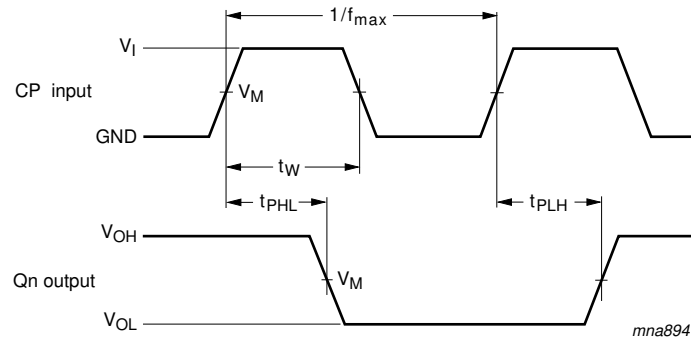
[2] t<sub>pd</sub> is the same as t<sub>PLH</sub> and t<sub>PHL</sub>.  
 t<sub>en</sub> is the same as t<sub>PZL</sub> and t<sub>PZH</sub>.  
 t<sub>dis</sub> is the same as t<sub>PLZ</sub> and t<sub>PHZ</sub>.

[3] Skew between any two outputs of the same package switching in the same direction. This parameter is guaranteed by design.

[4] C<sub>PD</sub> is used to determine the dynamic power dissipation (P<sub>D</sub> in μW).

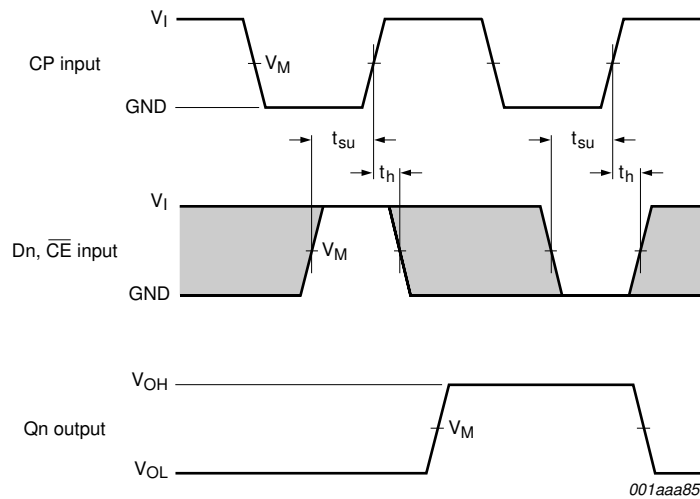
$P_D = C_{PD} \times V_{CC}^2 \times f_i \times N + \Sigma(C_L \times V_{CC}^2 \times f_o)$  where:  
 f<sub>i</sub> = input frequency in MHz; f<sub>o</sub> = output frequency in MHz  
 C<sub>L</sub> = output load capacitance in pF  
 V<sub>CC</sub> = supply voltage in Volts  
 N = number of inputs switching  
 $\Sigma(C_L \times V_{CC}^2 \times f_o)$  = sum of the outputs

11. Waveforms



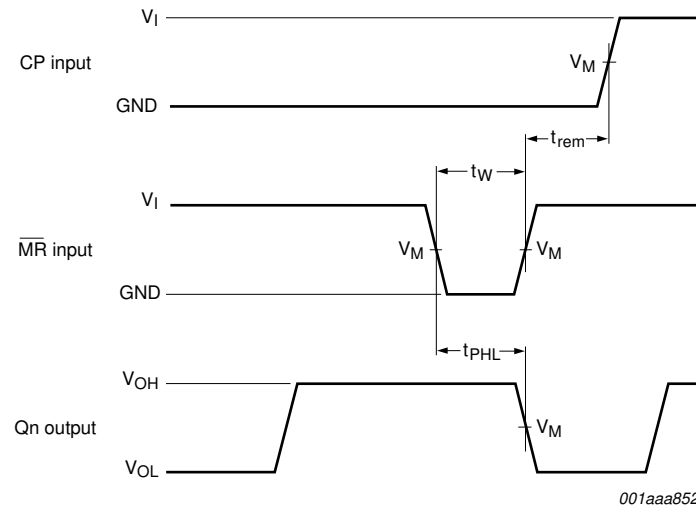
Measurement points are given in [Table 8](#).  
 $V_{OL}$  and  $V_{OH}$  are the typical output voltage levels that occur with the output load.

**Fig 7. Clock to output propagation delays, clock pulse width, and maximum frequency**



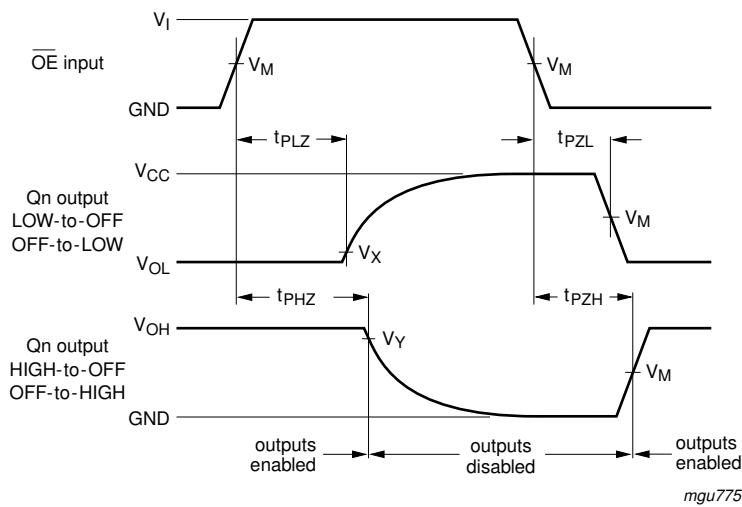
Measurement points are given in [Table 8](#).  
 $V_{OL}$  and  $V_{OH}$  are the typical output voltage levels that occur with the output load.  
 The shaded areas indicate when the input is permitted to change for predicable output performance.

**Fig 8. Data set-up and hold times for data and clock enable inputs to clock input**



Measurement points are given in [Table 8](#).  
 $V_{OL}$  and  $V_{OH}$  are the typical output voltage levels that occur with the output load.

**Fig 9. Master reset pulse width, master reset to clock removal time and master reset to output propagation delay**

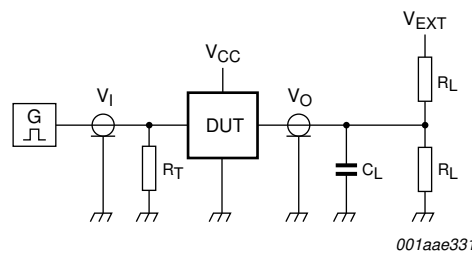
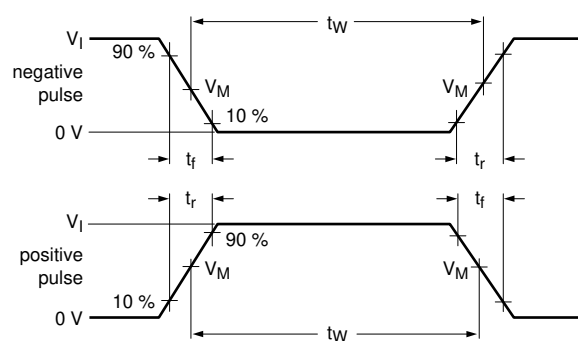


Measurement points are given in [Table 8](#).  
 $V_{OL}$  and  $V_{OH}$  are the typical output voltage drops that occur with the output load.

**Fig 10. 3-state outputs enable and disable times**

Table 8. Measurement points

Supply voltage	Input		Output		
V <sub>CC</sub>	V <sub>I</sub>	V <sub>M</sub>	V <sub>M</sub>	V <sub>X</sub>	V <sub>Y</sub>
1.2 V	V <sub>CC</sub>	0.5 × V <sub>CC</sub>	0.5 × V <sub>CC</sub>	V <sub>OL</sub> + 0.15 V	V <sub>OH</sub> - 0.15 V
1.65 V to 1.95 V	V <sub>CC</sub>	0.5 × V <sub>CC</sub>	0.5 × V <sub>CC</sub>	V <sub>OL</sub> + 0.15 V	V <sub>OH</sub> - 0.15 V
2.3 V to 2.7 V	V <sub>CC</sub>	0.5 × V <sub>CC</sub>	0.5 × V <sub>CC</sub>	V <sub>OL</sub> + 0.15 V	V <sub>OH</sub> - 0.15 V
2.7 V	2.7 V	1.5 V	1.5 V	V <sub>OL</sub> + 0.3 V	V <sub>OH</sub> - 0.3 V
3.0 V to 3.6 V	2.7 V	1.5 V	1.5 V	V <sub>OL</sub> + 0.3 V	V <sub>OH</sub> - 0.3 V



001aae331

Test data is given in [Table 9](#).

Definitions for test circuit:

R<sub>L</sub> = Load resistance.

C<sub>L</sub> = Load capacitance including jig and probe capacitance.

R<sub>T</sub> = Termination resistance should be equal to output impedance Z<sub>o</sub> of the pulse generator.

V<sub>EXT</sub> = External voltage for measuring switching times.

Fig 11. Load circuitry for switching times

Table 9. Test data

Supply voltage	Input		Load		V <sub>EXT</sub>		
	V <sub>I</sub>	t <sub>r</sub> , t <sub>f</sub>	C <sub>L</sub>	R <sub>L</sub>	t <sub>PLH</sub> , t <sub>PHL</sub>	t <sub>PLZ</sub> , t <sub>PZL</sub>	t <sub>PHZ</sub> , t <sub>PZH</sub>
1.2 V	V <sub>CC</sub>	≤ 2 ns	30 pF	1 kΩ	open	2 × V <sub>CC</sub>	GND
1.65 V to 1.95 V	V <sub>CC</sub>	≤ 2 ns	30 pF	1 kΩ	open	2 × V <sub>CC</sub>	GND
2.3 V to 2.7 V	V <sub>CC</sub>	≤ 2 ns	30 pF	500 Ω	open	2 × V <sub>CC</sub>	GND
2.7 V	2.7 V	≤ 2.5 ns	50 pF	500 Ω	open	2 × V <sub>CC</sub>	GND
3.0 V to 3.6 V	2.7 V	≤ 2.5 ns	50 pF	500 Ω	open	2 × V <sub>CC</sub>	GND

12. Package outline

SO24: plastic small outline package; 24 leads; body width 7.5 mm

SOT137-1

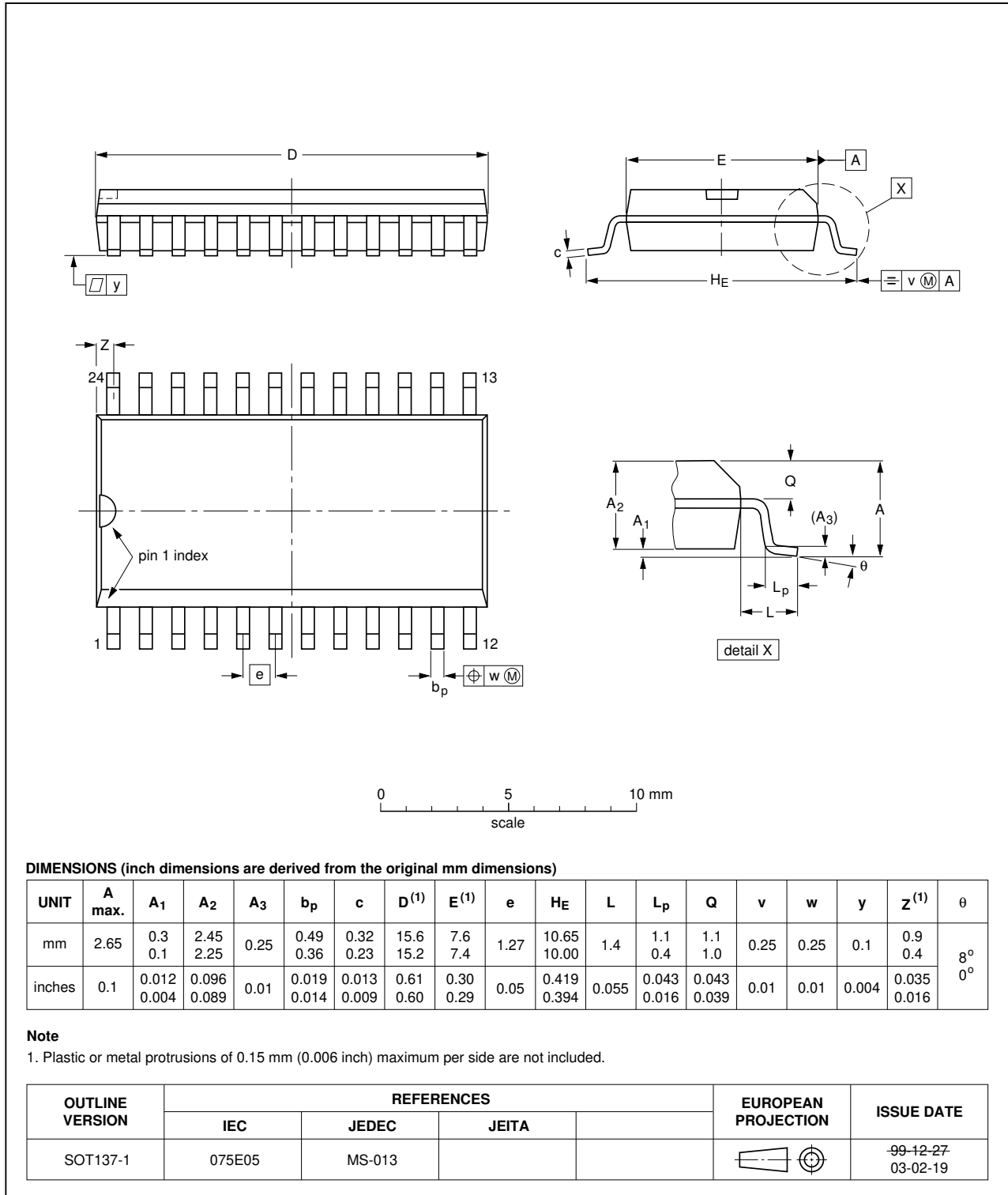


Fig 12. Package outline SOT137-1 (SO24)



SSOP24: plastic shrink small outline package; 24 leads; body width 5.3 mm

SOT340-1

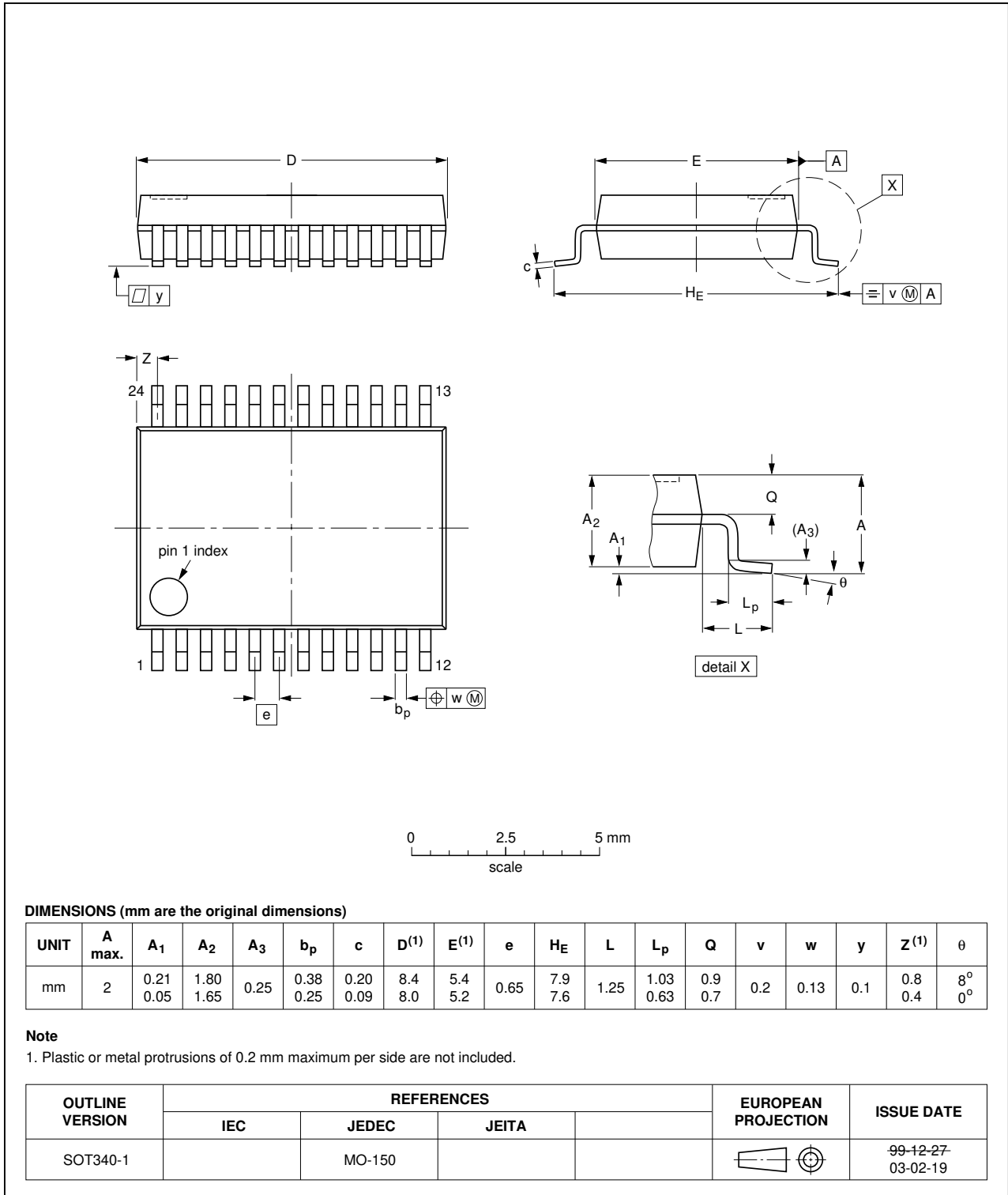


Fig 13. Package outline SOT340-1 (SSOP24)

TSSOP24: plastic thin shrink small outline package; 24 leads; body width 4.4 mm

SOT355-1

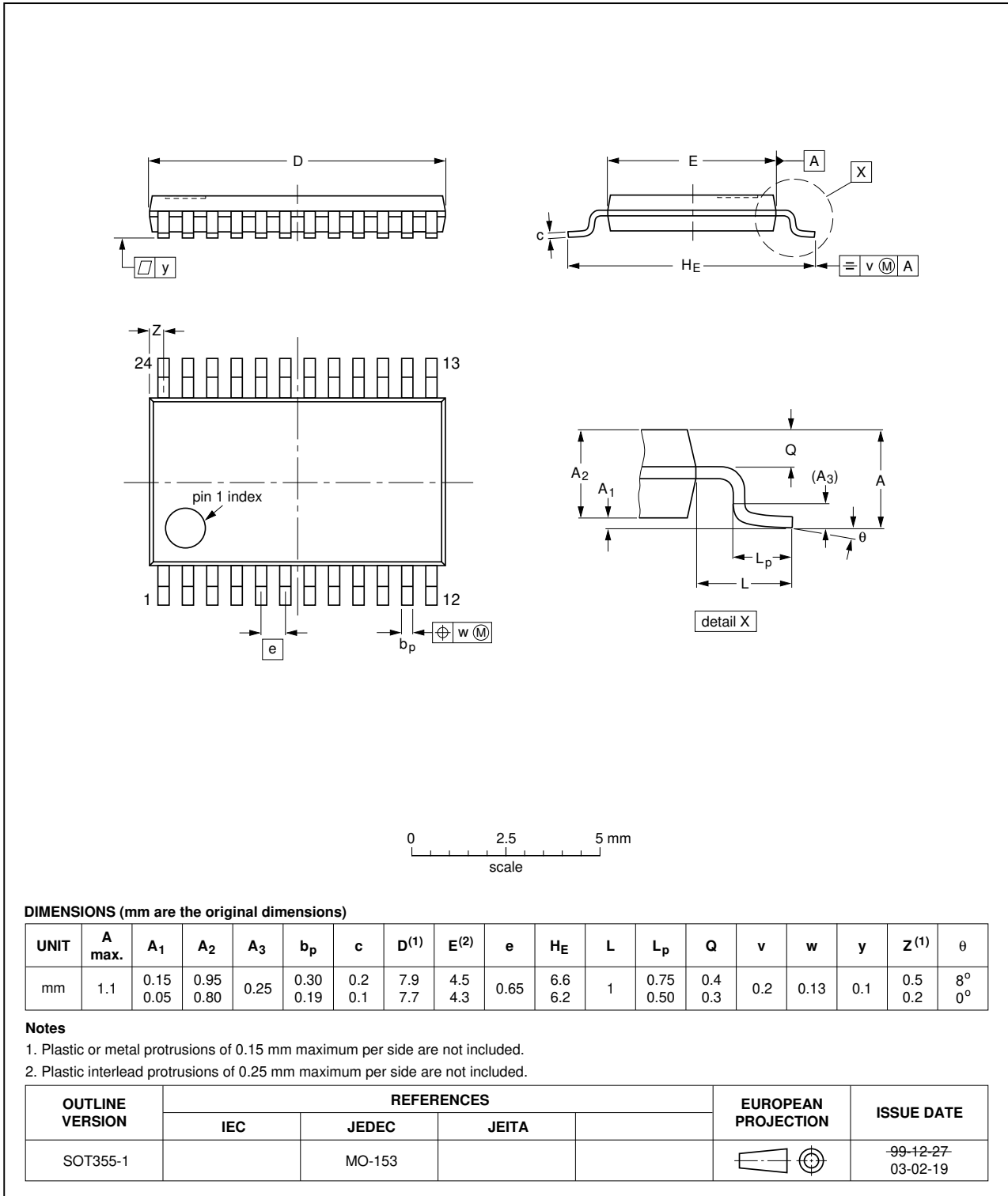


Fig 14. Package outline SOT355-1 (TSSOP24)

DHVQFN24: plastic dual in-line compatible thermal enhanced very thin quad flat package; no leads; 24 terminals; body 3.5 x 5.5 x 0.85 mm

SOT815-1

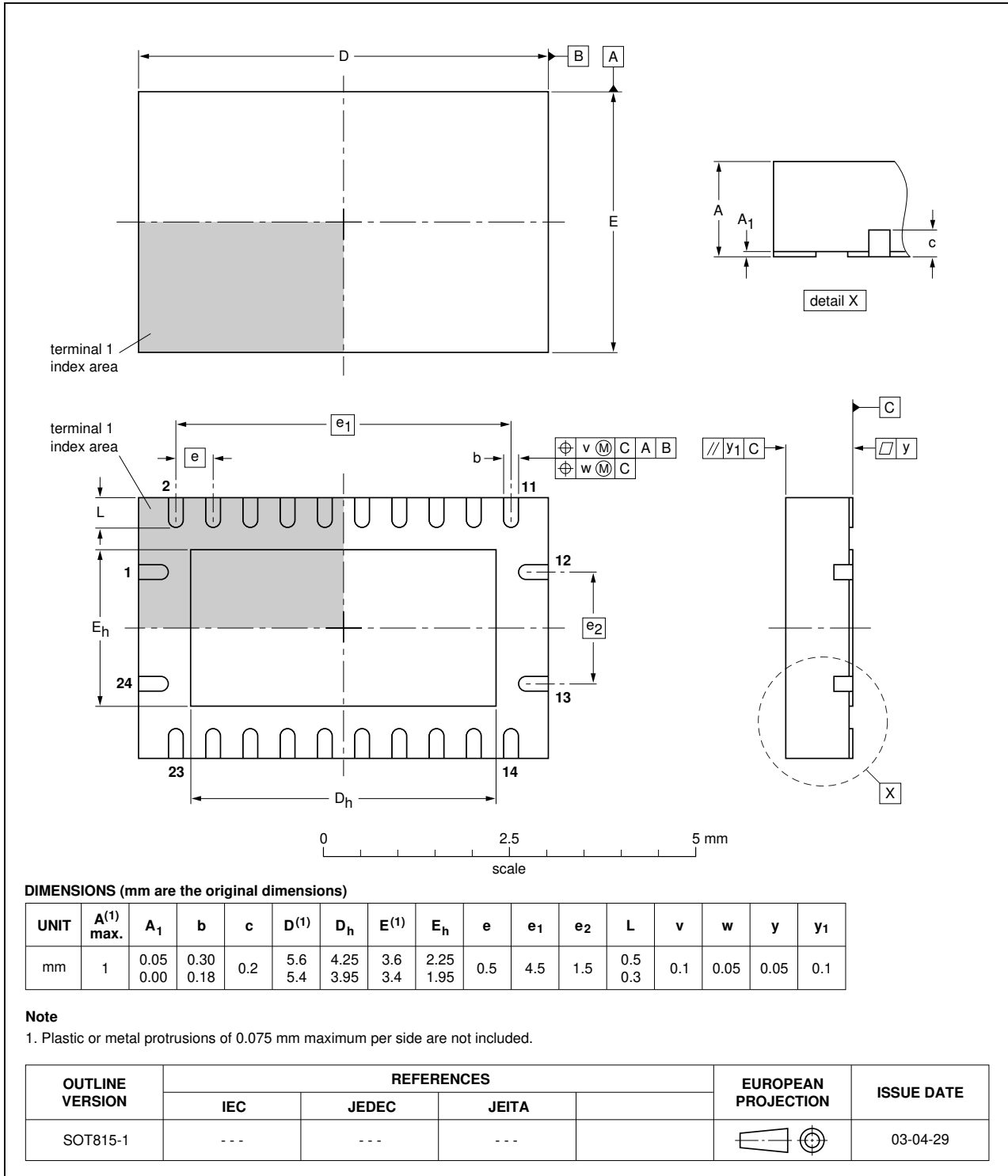


Fig 15. Package outline SOT815-1 (DHVQFN24)

## 13. Abbreviations

Table 10. Abbreviations

Acronym	Description
CDM	Charged Device Model
DUT	Device Under Test
ESD	ElectroStatic Discharge
HBM	Human Body Model
MM	Machine Model
TTL	Transistor-Transistor Logic

## 14. Revision history

Table 11. Revision history

Document ID	Release date	Data sheet status	Change notice	Supersedes
74LVC823A v.4	20130408	Product data sheet	-	74LVC823A v.3
Modifications:	<ul style="list-style-type: none"> <li>Features corrected (errata).</li> </ul>			
74LVC823A v.3	20130327	Product data sheet	-	74LVC823A v.2
Modifications:	<ul style="list-style-type: none"> <li>The format of this data sheet has been redesigned to comply with the new identity guidelines of NXP Semiconductors.</li> <li>Legal texts have been adapted to the new company name where appropriate.</li> <li><a href="#">Table 4</a>, <a href="#">Table 5</a>, <a href="#">Table 6</a>, <a href="#">Table 7</a>, <a href="#">Table 8</a> and <a href="#">Table 9</a>: values added for lower voltage ranges.</li> </ul>			
74LVC823A v.2	20040510	Product specification	-	74LVC823A v.1
74LVC823A v.1	19980924	Product specification	-	-

## 15. Legal information

### 15.1 Data sheet status

Document status <sup>[1][2]</sup>	Product status <sup>[3]</sup>	Definition
Objective [short] data sheet	Development	This document contains data from the objective specification for product development.
Preliminary [short] data sheet	Qualification	This document contains data from the preliminary specification.
Product [short] data sheet	Production	This document contains the product specification.

[1] Please consult the most recently issued document before initiating or completing a design.

[2] The term 'short data sheet' is explained in section "Definitions".

[3] The product status of device(s) described in this document may have changed since this document was published and may differ in case of multiple devices. The latest product status information is available on the Internet at URL <http://www.nxp.com>.

### 15.2 Definitions

**Draft** — The document is a draft version only. The content is still under internal review and subject to formal approval, which may result in modifications or additions. NXP Semiconductors does not give any representations or warranties as to the accuracy or completeness of information included herein and shall have no liability for the consequences of use of such information.

**Short data sheet** — A short data sheet is an extract from a full data sheet with the same product type number(s) and title. A short data sheet is intended for quick reference only and should not be relied upon to contain detailed and full information. For detailed and full information see the relevant full data sheet, which is available on request via the local NXP Semiconductors sales office. In case of any inconsistency or conflict with the short data sheet, the full data sheet shall prevail.

**Product specification** — The information and data provided in a Product data sheet shall define the specification of the product as agreed between NXP Semiconductors and its customer, unless NXP Semiconductors and customer have explicitly agreed otherwise in writing. In no event however, shall an agreement be valid in which the NXP Semiconductors product is deemed to offer functions and qualities beyond those described in the Product data sheet.

### 15.3 Disclaimers

**Limited warranty and liability** — Information in this document is believed to be accurate and reliable. However, NXP Semiconductors does not give any representations or warranties, expressed or implied, as to the accuracy or completeness of such information and shall have no liability for the consequences of use of such information. NXP Semiconductors takes no responsibility for the content in this document if provided by an information source outside of NXP Semiconductors.

In no event shall NXP Semiconductors be liable for any indirect, incidental, punitive, special or consequential damages (including - without limitation - lost profits, lost savings, business interruption, costs related to the removal or replacement of any products or rework charges) whether or not such damages are based on tort (including negligence), warranty, breach of contract or any other legal theory.

Notwithstanding any damages that customer might incur for any reason whatsoever, NXP Semiconductors' aggregate and cumulative liability towards customer for the products described herein shall be limited in accordance with the *Terms and conditions of commercial sale* of NXP Semiconductors.

**Right to make changes** — NXP Semiconductors reserves the right to make changes to information published in this document, including without limitation specifications and product descriptions, at any time and without notice. This document supersedes and replaces all information supplied prior to the publication hereof.

**Suitability for use** — NXP Semiconductors products are not designed, authorized or warranted to be suitable for use in life support, life-critical or safety-critical systems or equipment, nor in applications where failure or malfunction of an NXP Semiconductors product can reasonably be expected to result in personal injury, death or severe property or environmental damage. NXP Semiconductors and its suppliers accept no liability for inclusion and/or use of NXP Semiconductors products in such equipment or applications and therefore such inclusion and/or use is at the customer's own risk.

**Applications** — Applications that are described herein for any of these products are for illustrative purposes only. NXP Semiconductors makes no representation or warranty that such applications will be suitable for the specified use without further testing or modification.

Customers are responsible for the design and operation of their applications and products using NXP Semiconductors products, and NXP Semiconductors accepts no liability for any assistance with applications or customer product design. It is customer's sole responsibility to determine whether the NXP Semiconductors product is suitable and fit for the customer's applications and products planned, as well as for the planned application and use of customer's third party customer(s). Customers should provide appropriate design and operating safeguards to minimize the risks associated with their applications and products.

NXP Semiconductors does not accept any liability related to any default, damage, costs or problem which is based on any weakness or default in the customer's applications or products, or the application or use by customer's third party customer(s). Customer is responsible for doing all necessary testing for the customer's applications and products using NXP Semiconductors products in order to avoid a default of the applications and the products or of the application or use by customer's third party customer(s). NXP does not accept any liability in this respect.

**Limiting values** — Stress above one or more limiting values (as defined in the Absolute Maximum Ratings System of IEC 60134) will cause permanent damage to the device. Limiting values are stress ratings only and (proper) operation of the device at these or any other conditions above those given in the Recommended operating conditions section (if present) or the Characteristics sections of this document is not warranted. Constant or repeated exposure to limiting values will permanently and irreversibly affect the quality and reliability of the device.

**Terms and conditions of commercial sale** — NXP Semiconductors products are sold subject to the general terms and conditions of commercial sale, as published at <http://www.nxp.com/profile/terms>, unless otherwise agreed in a valid written individual agreement. In case an individual agreement is concluded only the terms and conditions of the respective agreement shall apply. NXP Semiconductors hereby expressly objects to applying the customer's general terms and conditions with regard to the purchase of NXP Semiconductors products by customer.

**No offer to sell or license** — Nothing in this document may be interpreted or construed as an offer to sell products that is open for acceptance or the grant, conveyance or implication of any license under any copyrights, patents or other industrial or intellectual property rights.

**Export control** — This document as well as the item(s) described herein may be subject to export control regulations. Export might require a prior authorization from competent authorities.

**Non-automotive qualified products** — Unless this data sheet expressly states that this specific NXP Semiconductors product is automotive qualified, the product is not suitable for automotive use. It is neither qualified nor tested in accordance with automotive testing or application requirements. NXP Semiconductors accepts no liability for inclusion and/or use of non-automotive qualified products in automotive equipment or applications.

In the event that customer uses the product for design-in and use in automotive applications to automotive specifications and standards, customer (a) shall use the product without NXP Semiconductors' warranty of the product for such automotive applications, use and specifications, and (b) whenever customer uses the product for automotive applications beyond

NXP Semiconductors' specifications such use shall be solely at customer's own risk, and (c) customer fully indemnifies NXP Semiconductors for any liability, damages or failed product claims resulting from customer design and use of the product for automotive applications beyond NXP Semiconductors' standard warranty and NXP Semiconductors' product specifications.

**Translations** — A non-English (translated) version of a document is for reference only. The English version shall prevail in case of any discrepancy between the translated and English versions.

## 15.4 Trademarks

Notice: All referenced brands, product names, service names and trademarks are the property of their respective owners.

## 16. Contact information

For more information, please visit: <http://www.nxp.com>

For sales office addresses, please send an email to: [salesaddresses@nxp.com](mailto:salesaddresses@nxp.com)

## 17. Contents

<b>1</b>	<b>General description</b> .....	<b>1</b>
<b>2</b>	<b>Features and benefits</b> .....	<b>1</b>
<b>3</b>	<b>Ordering information</b> .....	<b>2</b>
<b>4</b>	<b>Functional diagram</b> .....	<b>2</b>
<b>5</b>	<b>Pinning information</b> .....	<b>5</b>
5.1	Pinning .....	5
5.2	Pin description .....	5
<b>6</b>	<b>Functional description</b> .....	<b>6</b>
<b>7</b>	<b>Limiting values</b> .....	<b>6</b>
<b>8</b>	<b>Recommended operating conditions</b> .....	<b>7</b>
<b>9</b>	<b>Static characteristics</b> .....	<b>7</b>
<b>10</b>	<b>Dynamic characteristics</b> .....	<b>8</b>
<b>11</b>	<b>Waveforms</b> .....	<b>11</b>
<b>12</b>	<b>Package outline</b> .....	<b>14</b>
<b>13</b>	<b>Abbreviations</b> .....	<b>18</b>
<b>14</b>	<b>Revision history</b> .....	<b>18</b>
<b>15</b>	<b>Legal information</b> .....	<b>19</b>
15.1	Data sheet status .....	19
15.2	Definitions .....	19
15.3	Disclaimers .....	19
15.4	Trademarks .....	20
<b>16</b>	<b>Contact information</b> .....	<b>20</b>
<b>17</b>	<b>Contents</b> .....	<b>21</b>

Please be aware that important notices concerning this document and the product(s) described herein, have been included in section 'Legal information'.

© NXP B.V. 2013.

All rights reserved.

For more information, please visit: <http://www.nxp.com>

For sales office addresses, please send an email to: [salesaddresses@nxp.com](mailto:salesaddresses@nxp.com)

Date of release: 8 April 2013

Document identifier: 74LVC823A