



Chipsmall Limited consists of a professional team with an average of over 10 year of expertise in the distribution of electronic components. Based in Hongkong, we have already established firm and mutual-benefit business relationships with customers from,Europe,America and south Asia,supplying obsolete and hard-to-find components to meet their specific needs.

With the principle of “Quality Parts,Customers Priority,Honest Operation,and Considerate Service”,our business mainly focus on the distribution of electronic components. Line cards we deal with include Microchip,ALPS,ROHM,Xilinx,Pulse,ON,Everlight and Freescale. Main products comprise IC,Modules,Potentiometer,IC Socket,Relay,Connector.Our parts cover such applications as commercial,industrial, and automotives areas.

We are looking forward to setting up business relationship with you and hope to provide you with the best service and solution. Let us make a better world for our industry!



Contact us

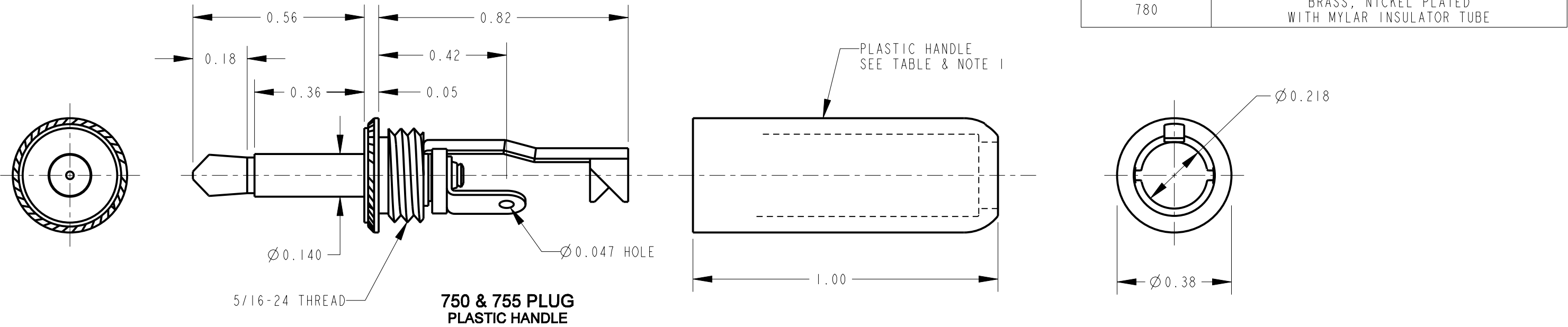
Tel: +86-755-8981 8866 Fax: +86-755-8427 6832

Email & Skype: info@chipsmall.com Web: www.chipsmall.com

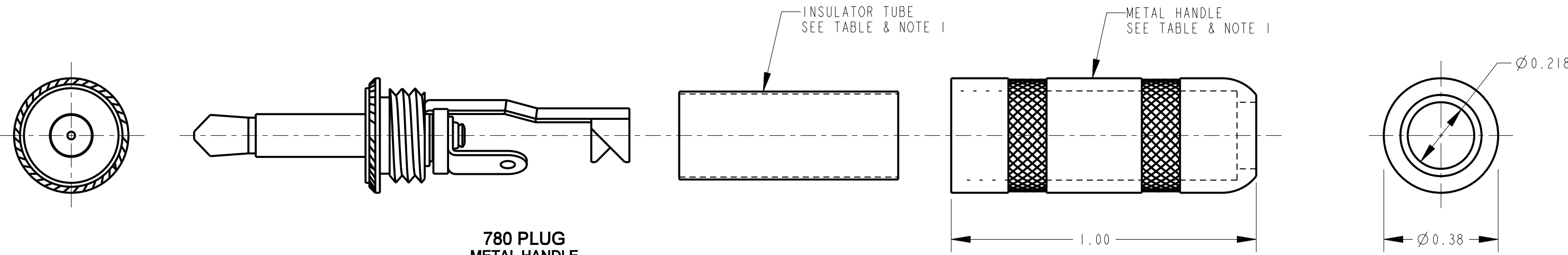
Address: A1208, Overseas Decoration Building, #122 Zhenhua RD., Futian, Shenzhen, China



PART NUMBER	HANDLE - MATERIAL AND FINISH
750	THERMOPLASTIC, BLACK
755	THERMOPLASTIC, RED
780	BRASS, NICKEL PLATED WITH MYLAR INSULATOR TUBE



**750 & 755 PLUG
PLASTIC HANDLE**



**780 PLUG
METAL HANDLE
WITH INSULATOR**

CUSTOMER DRAWING

- NOTES:
- HANDLE AND INSULATOR SHIPPED UNASSEMBLED.
 - MATES WITH SWITCHCRAFT #41 JACK.
 - MATERIALS:
 PLUG BODY - BRASS, NICKEL PLATED
 TIP ROD - BRASS, NICKEL PLATED
 PLUG INSULATORS - PHENOLIC & MYLAR
 TERMINALS - BRASS, TIN PLATED
 SCREWS - BRASS, NICKEL PLATED
 HANDLE AND INSULATOR TUBE - SEE TABLE
 - THESE PRODUCTS ARE RoHS COMPLIANT.

REV	ECO NUMBER	DATE	BY	APVD
D	26777	5-23-11	TJK	TJK
REVISIONS				

★ STAR SYMBOL DENOTES CRITICAL DIMENSION

UNLESS OTHERWISE SPECIFIED

- ALL DIMENSIONS IN INCHES
 - TWO PLACE DECIMALS ±0.01
 - THREE PLACE DECIMALS ±0.005
 - ANGLES ±1°
 - ALL DIA. CONCENTRIC WITHIN 0.005 T.I.R.
- FEATURES ON THE SAME CENTERLINE
 MUST BE ALIGNED WITHIN ±0.002
- REMOVE ALL BURRS

DO NOT SCALE DRAWING

THIS DRAWING DESCRIBES A DESIGN CONSIDERED PROPRIETARY IN NATURE, DEVELOPED AND MANUFACTURED BY SWITCHCRAFT INC. AND IS RELEASED ON A CONFIDENTIAL BASIS FOR IDENTIFICATION PURPOSES ONLY.									
SIZE		WIDTH		MULT		LBS/M		TEMPER	
FINISH SPEC No.					MATERIAL SPEC No.				
FIRST USED ON				SCALE 3:1					
DATE DRAWN	BY	CHKD	APVD	Switchcraft®					
19-May-64	JRT	CJD 7-6-64	LG 7-7-64						
NAME TINI PLUG, 2 CONDUCTOR WITH SOLDER TERMINALS, RoHS			PART No.		SHEET 1 OF 1			REV D	
			750 755 780						