



Chipsmall Limited consists of a professional team with an average of over 10 year of expertise in the distribution of electronic components. Based in Hongkong, we have already established firm and mutual-benefit business relationships with customers from,Europe,America and south Asia,supplying obsolete and hard-to-find components to meet their specific needs.

With the principle of “Quality Parts,Customers Priority,Honest Operation,and Considerate Service”,our business mainly focus on the distribution of electronic components. Line cards we deal with include Microchip,ALPS,ROHM,Xilinx,Pulse,ON,Everlight and Freescale. Main products comprise IC,Modules,Potentiometer,IC Socket,Relay,Connector.Our parts cover such applications as commercial,industrial, and automotives areas.

We are looking forward to setting up business relationship with you and hope to provide you with the best service and solution. Let us make a better world for our industry!



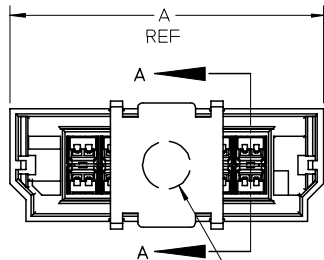
Contact us

Tel: +86-755-8981 8866 Fax: +86-755-8427 6832

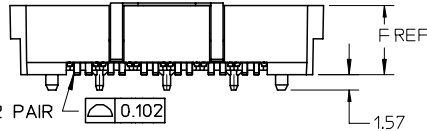
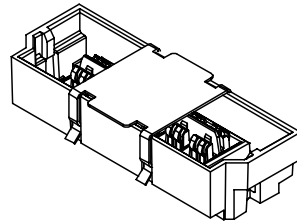
Email & Skype: info@chipsmall.com Web: www.chipsmall.com

Address: A1208, Overseas Decoration Building, #122 Zhenhua RD., Futian, Shenzhen, China

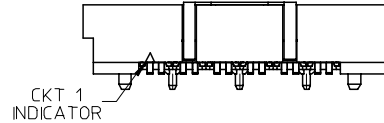
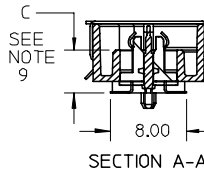
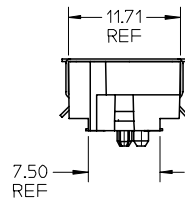




Ø5.00 MAX PICK AND PLACE AREA

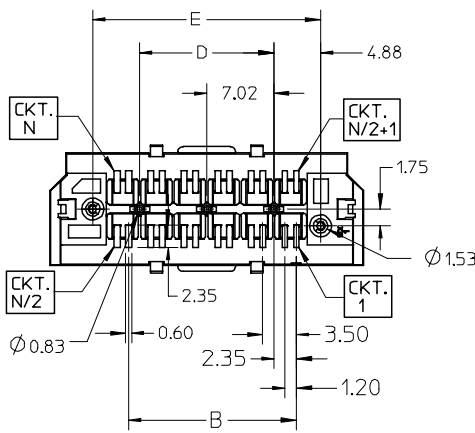


FOR 6 AND 12 PAIR 0.102
 FOR 24 PAIR 0.114
 FOR 36 PAIR 0.127
 N SURFACES
 N = # OF CIRCUITS
 (SEE NOTE 15)

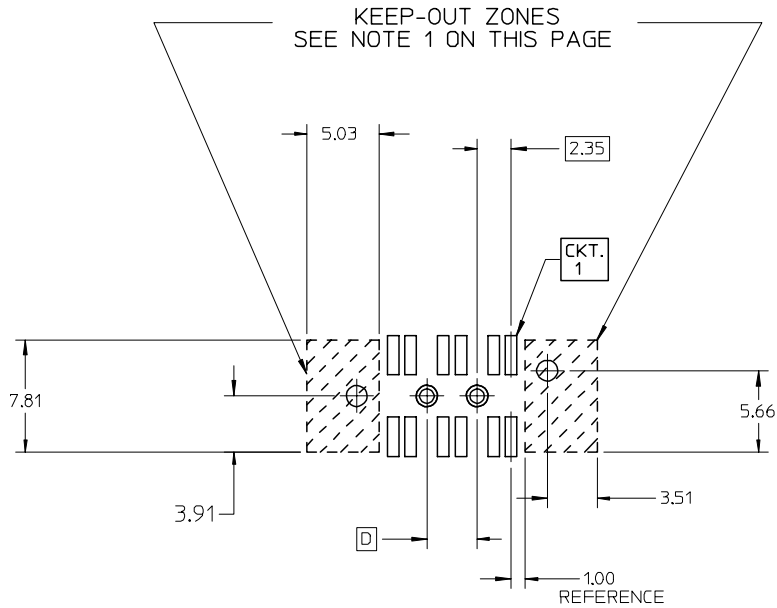


NOTES:

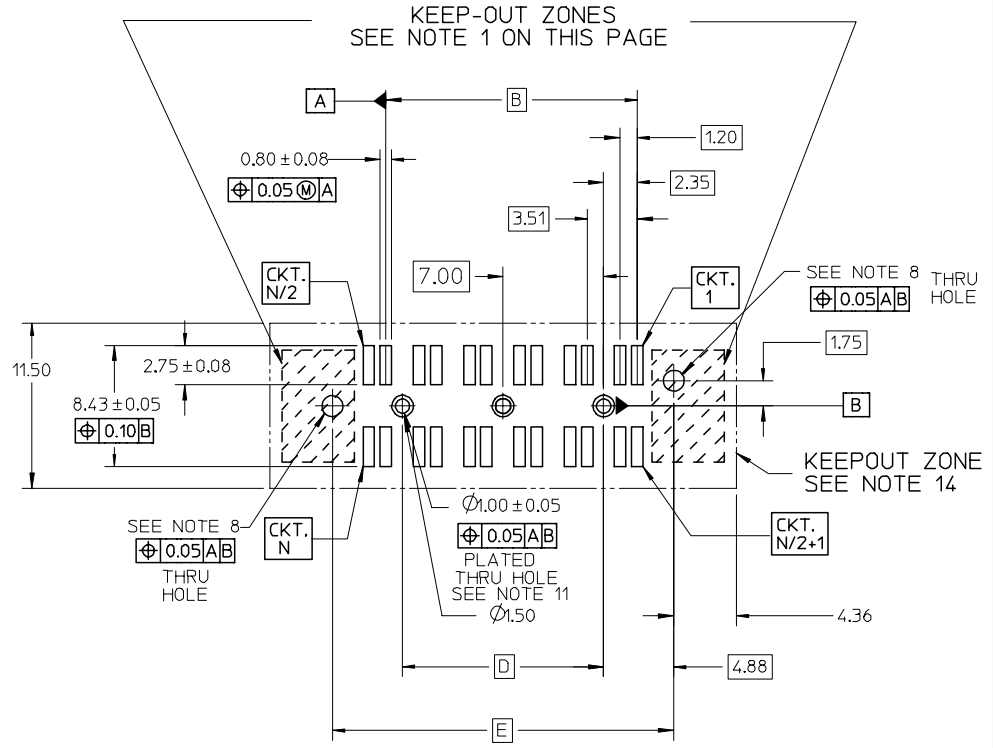
- 1) MATERIALS:
 HOUSING - LIQUID CRYSTAL POLYMER, UL94 V-0, NATURAL
 CHICKLET - LIQUID CRYSTAL POLYMER, UL94 V-0, BLACK
 CONTACT - TIN BRASS
- 2) CONTACT PLATING FINISH:
 0.76 MICRON MIN. SELECT GOLD AND
 3.81 MICRON MIN. SELECT PURE TIN OVER
 1.27 MICRON MIN. NICKEL OVERALL
- 3) HOUSING PLATING FINISH:
 0.10 MICRON MAX IMMERSION GOLD OVER
 3.81 MICRON MIN. NICKEL OVER
 3.81 MICRON MIN. COPPER
- 4) 4.5mm 12 PAIR ASSEMBLY SHOWN.
- 5) PART CONFORMS TO MOLEX COSMETIC SPECIFICATION PS-75005-002.
- 6) PART PERFORMS TO MOLEX PRODUCT SPECIFICATION PS-75005-001.
- 7) PACKAGING (SEE TABLE):
 TAPE AND REEL: PER PK-75005-001.
 TUBES: PER PK-75005-002.
- 8) FOR AUTO-PLACEMENT APPLICATIONS: PCB ORIENTATION HOLE TO BE Ø1.65±0.05
 FOR HAND PLACEMENT APPLICATIONS: PCB ORIENTATION HOLE TO BE Ø1.45±0.05
- 9) THIS DIMENSION CONTROLS THE STACK HEIGHT OF THE MATED CONNECTORS.
- 10) PLEASE REFER TO MOLEX APPLICATION SPECIFICATION AS-75005-001 FOR SUITABLE PROCESSING TEMPERATURES, PERMISSABLE OFFSETS, AND MATING SEQUENCES.
- 11) THESE PLATED THRU HOLES SHOULD BE CONNECTED TO SIGNAL GROUND.
- 12) THIS PART MATES WITH THE 75003 PLUG.
- 13) THIS PART IS RECOMMENDED TO BE PLACED ON THE PLANAR OR HOST PCB.
- 14) HOUSING IS CONDUCTIVE, UNINSULATED TRACES MUST BE KEPT OUT OF KEEP-OUT ZONE.
- 15) EACH SIDE IS MEASURED TO A COMMON DATUM WITH-IN A COPLANARITY OF 0.102mm FOR 6 AND 12 PAIR, 0.114mm FOR 24 PAIR AND 0.127mm FOR 36 PAIR, THE SIDES MAY VARY TO EACH OTHER BY 0.05mm MAX.



ADD KEEP-OUT ZONES EC NO: UCP2007-0343 DRWN:MSIBARRA 2006/10/25 CHKD:BBARKER 2006/10/27 APPR:SMILLER 2006/10/30	QUALITY SYMBOLS ▽ = 0 ▽ = 0	GENERAL TOLERANCES (UNLESS SPECIFIED)		SCALE 2:1	DESIGN UNITS METRIC	THIRD ANGLE PROJECTION	REVISE ON CAD ONLY		
			mm	INCH	DIMENSION STYLE MM ONLY		TITLE SALES DRAWING FOR HIGH SPEED MEZZANINE RECEPTACLE		
		4 PLACES ± --- ± ---	3 PLACES ± --- ± ---	2 PLACES ± 0.13 ± ---	1 PLACE ± 0.25 ± ---	DRAWN BY KSTILES	DATE 10/24/2001	MOLEX INCORPORATED	
		ANGULAR ±1/2°		DRAFT WHERE APPLICABLE MUST REMAIN WITHIN DIMENSIONS		CHECKED BY KREGNIER	DATE 10/25/2001	MATERIAL NO. SEE CHART	DOCUMENT NO. SD-75005-001
REV	DESCRIPTION			APPROVED BY MBANAKIS	DATE 2001/12/13	SHEET NO. 1 OF 3			



COMPONENT SIDE SHOWN
 RECOMMENDED PCB THICKNESS: 1.57mm
 FOR 12 CIRCUIT OPTION
 FOR DIMENSIONS NOT SHOWN REFER TO
 THE 24-72 CIRCUIT PCB LAYOUT.



COMPONENT SIDE SHOWN
 RECOMMENDED PCB THICKNESS: 1.57mm
 FOR CIRCUIT SIZES FROM 24-72 CIRCUITS.

UNLESS OTHERWISE SPECIFIED, DIMENSIONS ARE COMMON TO BOTH VIEWS

NOTE:
 1. NO FEATURES (INCLUDING SOLDER PASTE) WHICH RISE ABOVE THE PCB SURFACE ALLOWED IN THIS AREA.

ADD KEEP-OUT ZONES EC NO: UCP2007-0343 DRWN: MSIBARRA 2006/10/25 CHKD: BBARKER 2006/10/27 APPR: SMILLER 2006/10/30	QUALITY SYMBOLS ▽ = 0 ▽ = 0	GENERAL TOLERANCES (UNLESS SPECIFIED)		SCALE 3:1	DESIGN UNITS METRIC	THIRD ANGLE PROJECTION	REVISE ON CAD ONLY	
		4 PLACES ± --- ± --- 3 PLACES ± --- ± --- 2 PLACES ± 0.13 ± --- 1 PLACE ± 0.25 ± ---	mm INCH	DIMENSION STYLE MM ONLY	DRAWN BY DATE KSTILES 10/24/2001	TITLE SALES DRAWING FOR HIGH SPEED MEZZANINE RECEPTACLE		
		ANGULAR ± 1/2°	DRAFT WHERE APPLICABLE MUST REMAIN WITHIN DIMENSIONS	CHECKED BY DATE KREGNIER 10/25/2001	APPROVED BY DATE MBANAKIS 2001/12/13	MATERIAL NO. SEE CHART	DOCUMENT NO. SD-75005-001	SHEET NO. 2 OF 3
		THIS DRAWING CONTAINS INFORMATION THAT IS PROPRIETARY TO MOLEX INCORPORATED AND SHOULD NOT BE USED WITHOUT WRITTEN PERMISSION						

NUMBER OF CIRCUITS	NUMBER OF DIFFERENTIAL PAIRS	MATERIAL NUMBER	A	B	C	D	E	F	PACKAGING SEE NOTE 7
12	6	750050304	22.23	7.02	4.50	3.52	13.27	7.25	TAPE AND REEL
12	6	750050306	22.30	7.02	6.50	3.52	13.27	9.25	TAPE AND REEL
12	6	NOT TOOLED	22.51	7.02	12.50	3.52	13.27	15.25	TAPE AND REEL
24	12	750050004	32.76	17.55	4.50	14.05	23.80	7.25	TAPE AND REEL
24	12	750050006	32.83	17.55	6.50	14.05	23.80	9.25	TAPE AND REEL
24	12	NOT TOOLED	33.04	17.55	12.50	14.05	23.80	15.25	TAPE AND REEL
24	12	75005-0014	33.04	17.55	14.50	14.04	23.80	17.25	TUBES
48	24	750050104	53.82	38.61	4.50	35.11	44.86	7.25	TAPE AND REEL
48	24	NOT TOOLED	54.10	38.61	12.50	35.11	44.86	15.25	TAPE AND REEL
48	24	75005-0114	54.10	38.61	14.50	35.11	44.86	17.25	TUBES
72	36	750050204	74.88	59.67	4.50	56.17	65.92	7.25	TAPE AND REEL
72	36	NOT TOOLED	75.16	59.67	12.50	56.17	65.92	15.25	TAPE AND REEL
72	36	750050214	75.16	59.67	14.50	56.17	65.92	17.25	TAPE AND REEL

UPDATE REV LEVEL EC NO: UCP2007-0343 DRWN: MSIBARRA 2006/10/25 CHKD: BBARKER 2006/10/27 APPR: SMILLER 2006/10/30	QUALITY SYMBOLS	GENERAL TOLERANCES (UNLESS SPECIFIED)	SCALE 3:1	DESIGN UNITS METRIC	THIRD ANGLE PROJECTION	REVISE ON CAD ONLY
	▽ = 0 ▽ = 0	mm	INCH	DIMENSION STYLE MM ONLY		TITLE SALES DRAWING FOR HIGH SPEED MEZZANINE RECEPTACLE
		4 PLACES ± --- ± ---		DRAWN BY KSTILES	DATE 10/24/2001	
		3 PLACES ± --- ± ---		CHECKED BY KREGNIER	DATE 10/25/2001	
	2 PLACES ± 0.13 ± ---		APPROVED BY MBANAKIS	DATE 2001/12/13	MATERIAL NO. SEE CHART	DOCUMENT NO. SD-75005-001
	1 PLACE ± 0.25 ± ---		DRAFT WHERE APPLICABLE MUST REMAIN WITHIN DIMENSIONS		SHEET NO. 3 OF 3	
	ANGULAR ±1/2°		THIS DRAWING CONTAINS INFORMATION THAT IS PROPRIETARY TO MOLEX INCORPORATED AND SHOULD NOT BE USED WITHOUT WRITTEN PERMISSION			