



Chipsmall Limited consists of a professional team with an average of over 10 year of expertise in the distribution of electronic components. Based in Hongkong, we have already established firm and mutual-benefit business relationships with customers from,Europe,America and south Asia,supplying obsolete and hard-to-find components to meet their specific needs.

With the principle of “Quality Parts,Customers Priority,Honest Operation,and Considerate Service”,our business mainly focus on the distribution of electronic components. Line cards we deal with include Microchip,ALPS,ROHM,Xilinx,Pulse,ON,Everlight and Freescale. Main products comprise IC,Modules,Potentiometer,IC Socket,Relay,Connector.Our parts cover such applications as commercial,industrial, and automotives areas.

We are looking forward to setting up business relationship with you and hope to provide you with the best service and solution. Let us make a better world for our industry!



Contact us

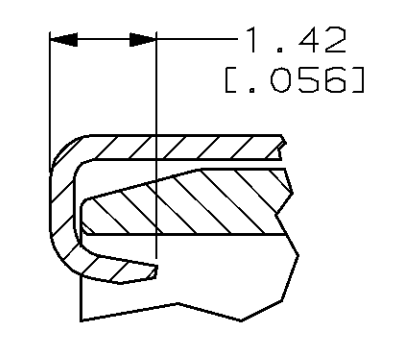
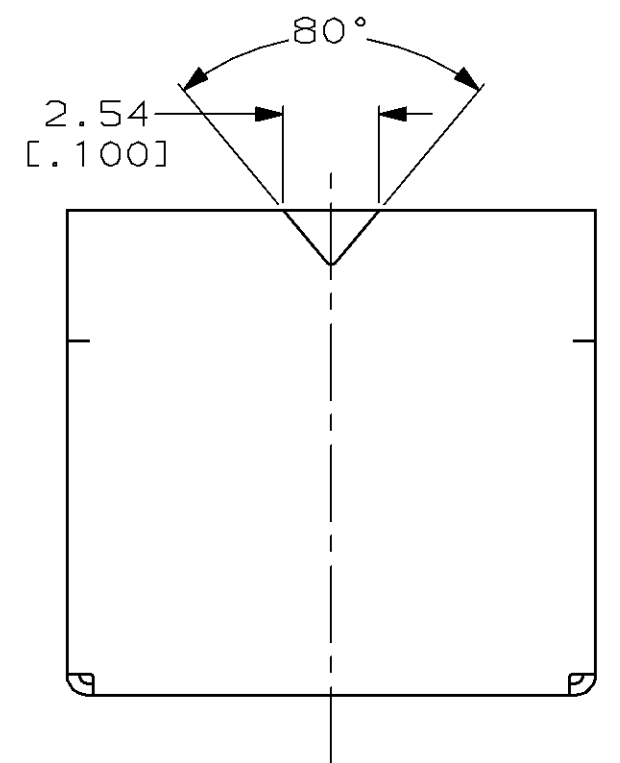
Tel: +86-755-8981 8866 Fax: +86-755-8427 6832

Email & Skype: info@chipsmall.com Web: www.chipsmall.com

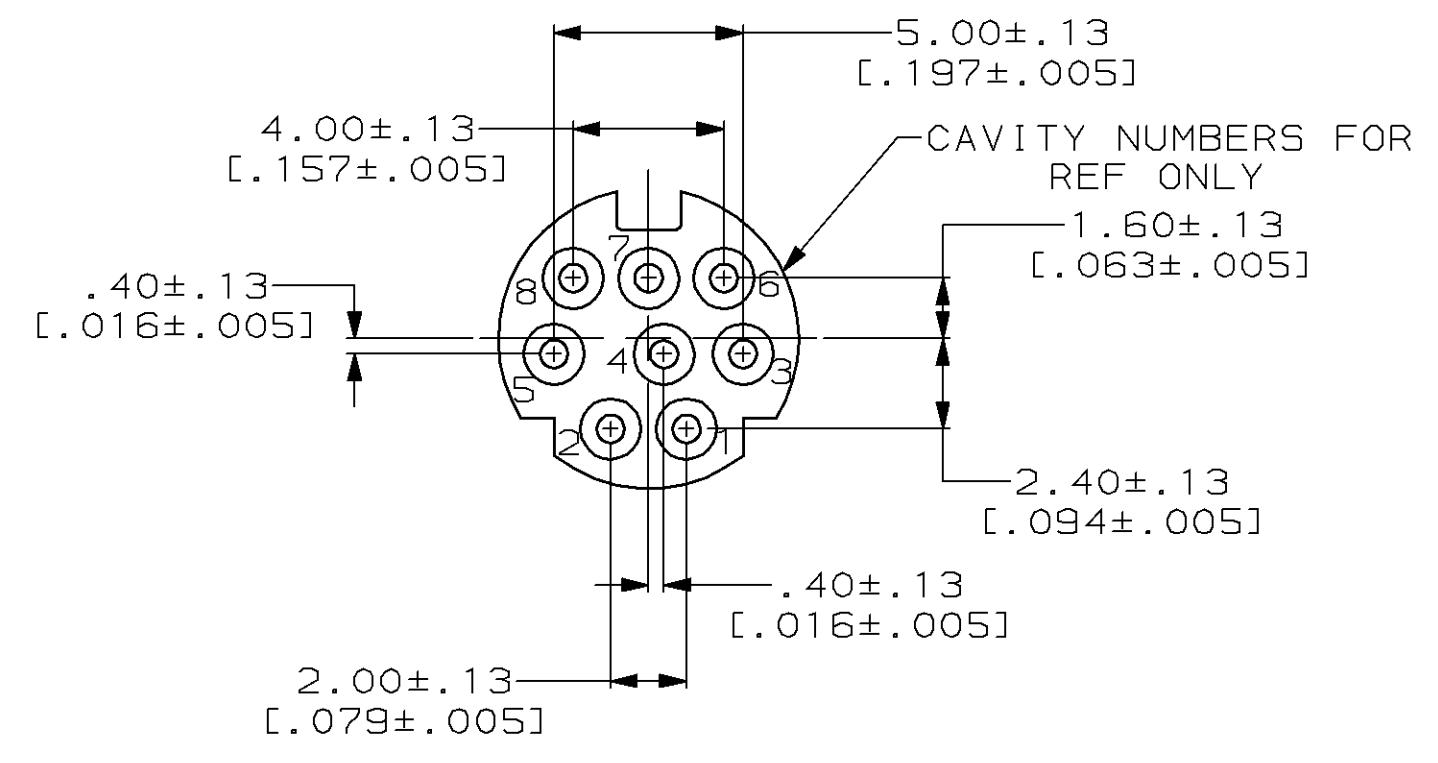
Address: A1208, Overseas Decoration Building, #122 Zhenhua RD., Futian, Shenzhen, China



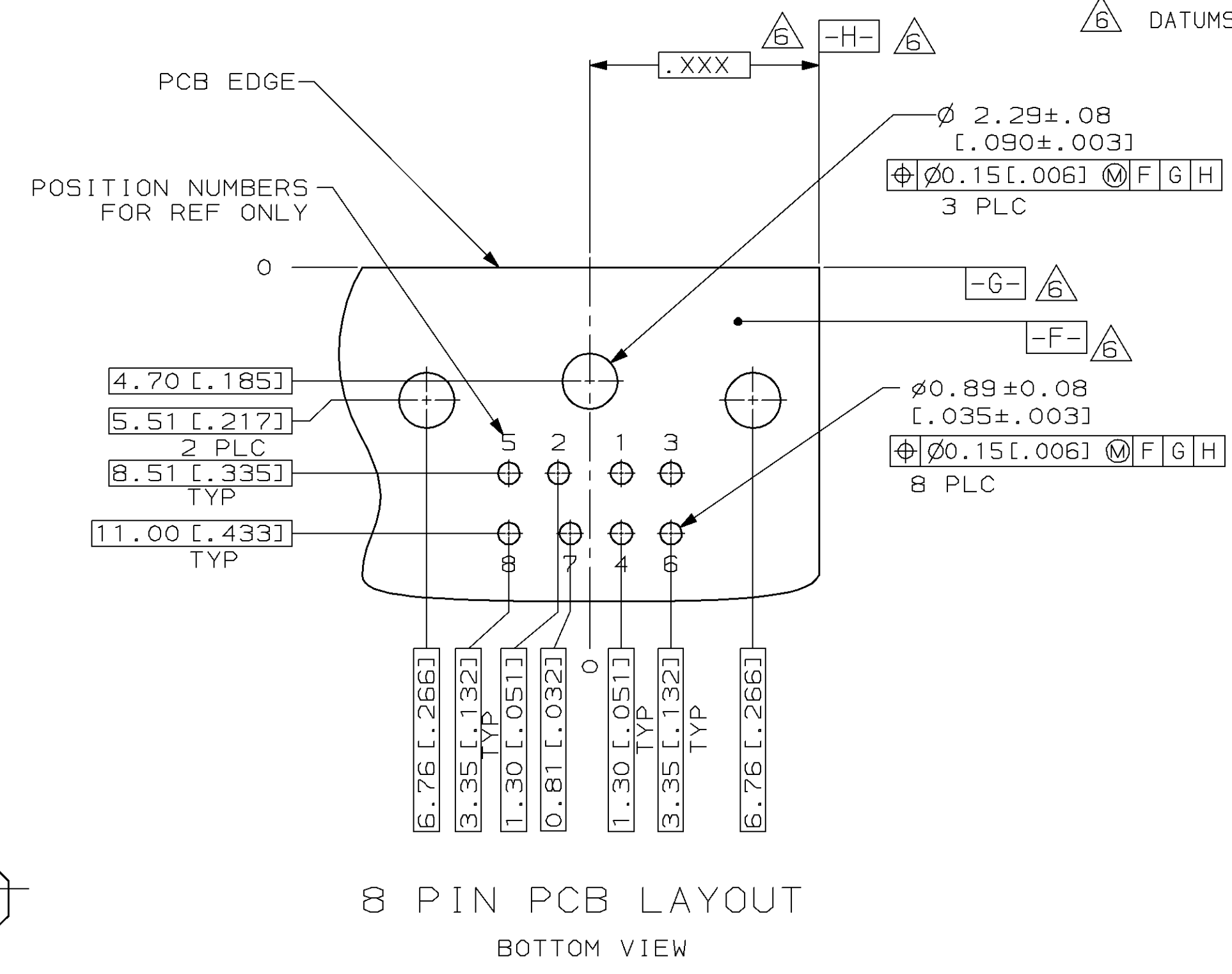
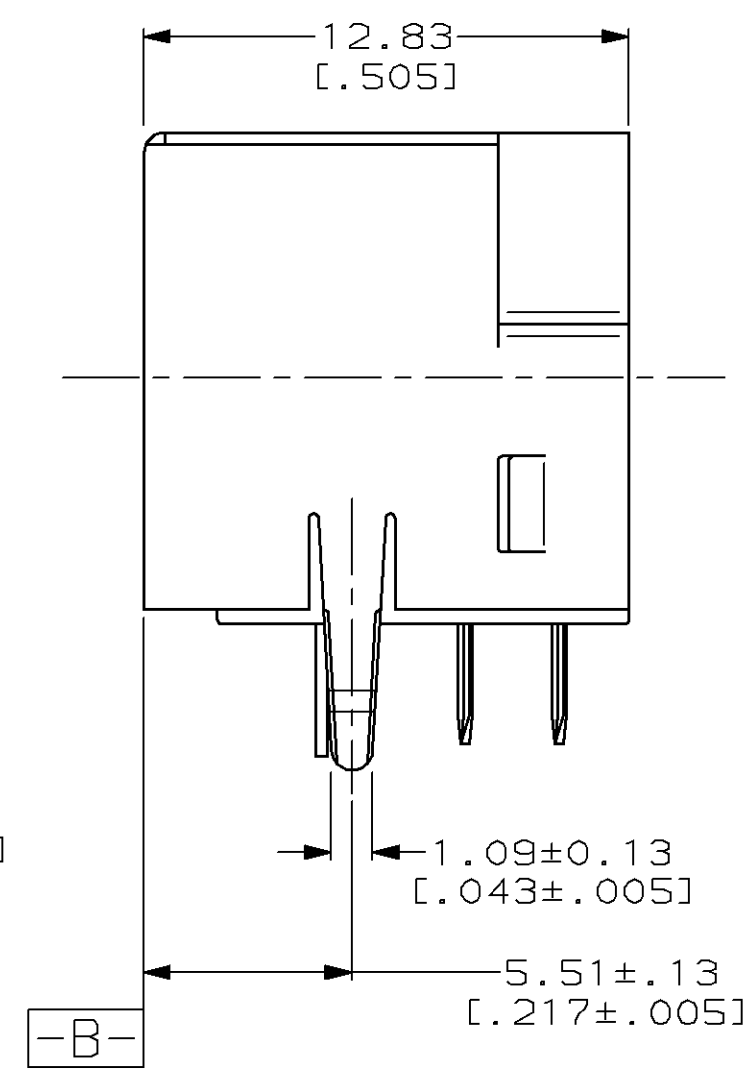
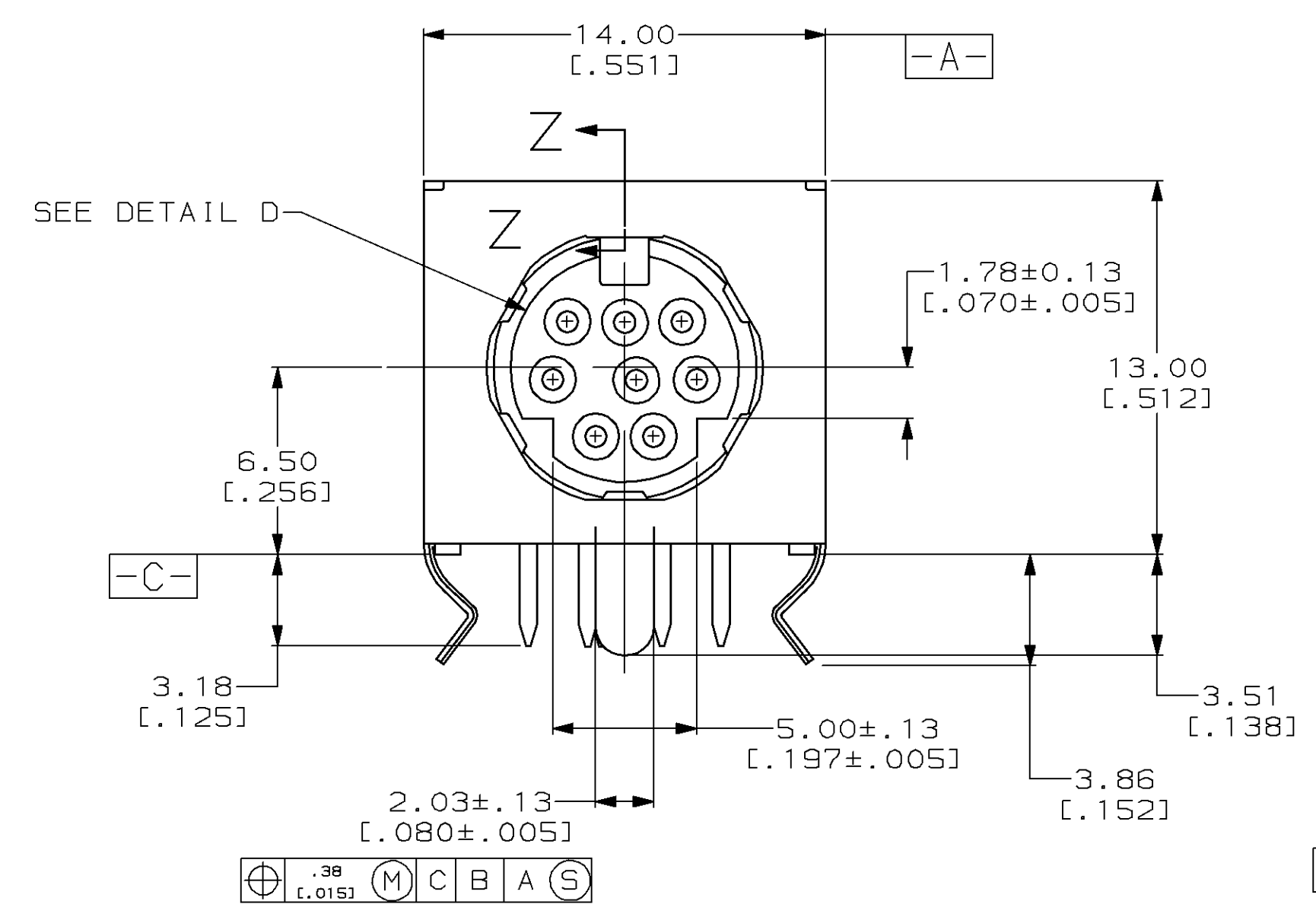
LOC		DIST		REV		REVISIONS		
BD	26	P	F	ZONE	LTR	DESCRIPTION	DATE	APPD
					O	RLSE NPR 2275 WAS 88-4837-21	01/05/89	-
					A	REVISED ECN-BD2959	05/08/89	RW
					B	REVISED ECN BD3043	06/20/89	RW
					C	REV PER ECN BD5426 & ADD -2 PER NPR 3790	10-28-91	-
					D	REV PER EC 0020-0045-94	02/08/94	RB
					E	REV PER EC 0020-824-95	12 OCT 95	JH
					F	REV PER EC 0020-9-96	22 JAN 96	JH
					G	REV PER EC 0410-95-96	28 FEB 97	JGH
					H	OBsolete -2 PER EC 0410-194-96	08 SEP 97	JGH
					J	REV PER EC 0410-281-97	28 SEP 97	JGH
					K	REV PER EC 0410-410-97	05 FEB 98	JGH



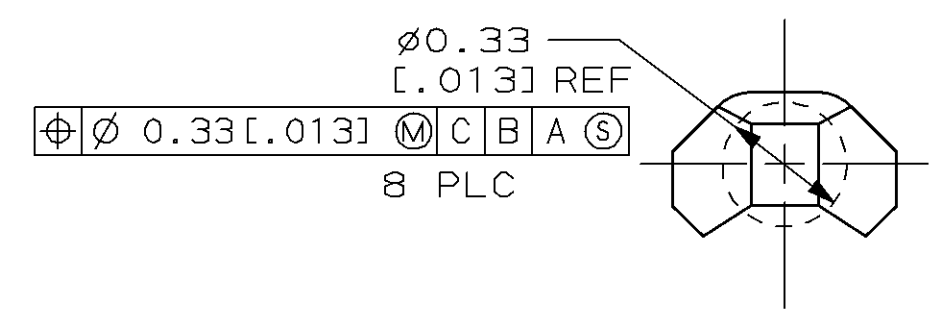
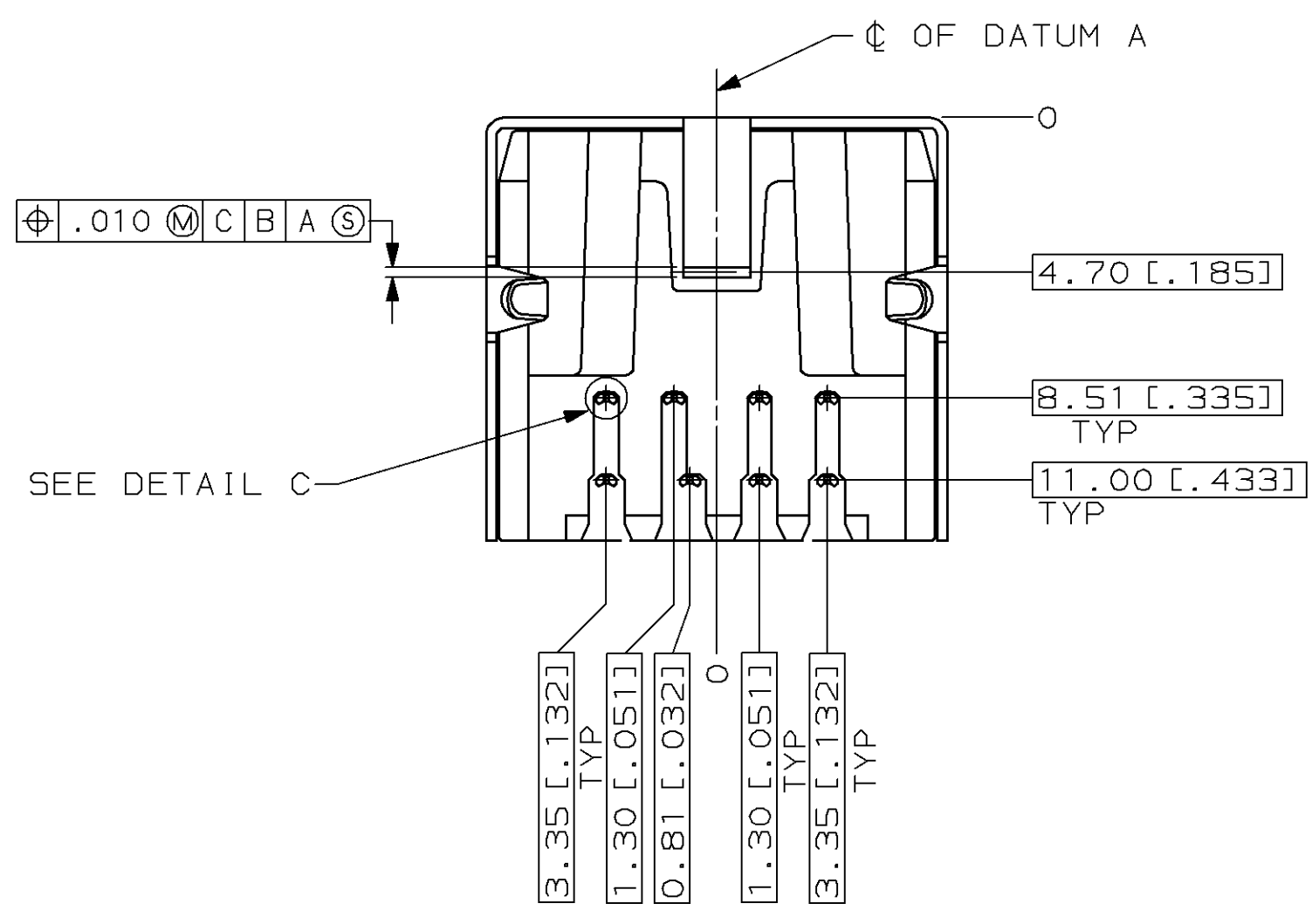
SECTION Z-Z
SCALE 10:1



DETAIL D
8 PIN FACE



8 PIN PCB LAYOUT
BOTTOM VIEW



DETAIL C
SCALE 50:1

- ① RECEPTACLE CONTACTS: COPPER ALLOY.
RECEPTACLE SHIELD: COPPER ALLOY.
HOUSING: THERMOPLASTIC, COLOR; SEE TABLE, UL 94V-0 RATED.
- ② PLATING:
RECEPTACLE CONTACTS - GOLD PLATED .00076 MIN [.000030 MIN] THICK
ON MATING END, TIN-LEAD PLATED .0030 MIN [.000120 MIN] THICK
ON SOLDER TAIL ALL OVER .0013 MIN [.000050 MIN] THICK NICKEL.
- ③ PLATING:
SHIELD: 1.50-4.00µm [.000059-.000158] THICK BRIGHT TIN.
- 4. RECEPTACLE ASSEMBLY MATES WITH 8 PIN 9.00±.10 [.354±.004] DIAMETER PLUG.
- ⑤ SEE RESTRICTED CUSTOMER DRAWING 749179-3.
- ⑥ DATUMS AND BASIC DIMENSION SUPPLIED BY CUSTOMER.

	-	⑤
OBsolete	GRAY	749179-2
	BLACK	749179-1
HOUSING COLOR	PART NO	
	PART NO	

DO NOT SCALE PRINT. UNLESS SPECIFIED DIMENSIONS IN mm [INCHES] TOLERANCES ON: 3 PLC DEC ± 0.381 [.015] ANGLES ± 0°30'	DR 1-23-89 P. COSMOS CHK 1-23-89 C. OHL APPD 1-23-89 B.H. MOSSER APPD 1-23-89 E.C. MYERS PRODUCT SPEC 108-1225 APPLICATION SPEC -	AMP INCORPORATED Harrisburg, Pa. 17105 NAME RECEPTACLE ASSY W/HOLD DOWN, 8 POS RIGHT ANGLE, MINIATURE CIRCULAR DIN SIZE D 00779 DRAWING NO 749179 SCALE 5:1 SHEET 1 OF 1	
MATERIAL ①	FINISH ② ③	WEIGHT	