



Chipsmall Limited consists of a professional team with an average of over 10 year of expertise in the distribution of electronic components. Based in Hongkong, we have already established firm and mutual-benefit business relationships with customers from,Europe,America and south Asia,supplying obsolete and hard-to-find components to meet their specific needs.

With the principle of “Quality Parts,Customers Priority,Honest Operation,and Considerate Service”,our business mainly focus on the distribution of electronic components. Line cards we deal with include Microchip,ALPS,ROHM,Xilinx,Pulse,ON,Everlight and Freescale. Main products comprise IC,Modules,Potentiometer,IC Socket,Relay,Connector.Our parts cover such applications as commercial,industrial, and automotives areas.

We are looking forward to setting up business relationship with you and hope to provide you with the best service and solution. Let us make a better world for our industry!



Contact us

Tel: +86-755-8981 8866 Fax: +86-755-8427 6832

Email & Skype: info@chipsmall.com Web: www.chipsmall.com

Address: A1208, Overseas Decoration Building, #122 Zhenhua RD., Futian, Shenzhen, China

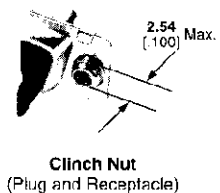
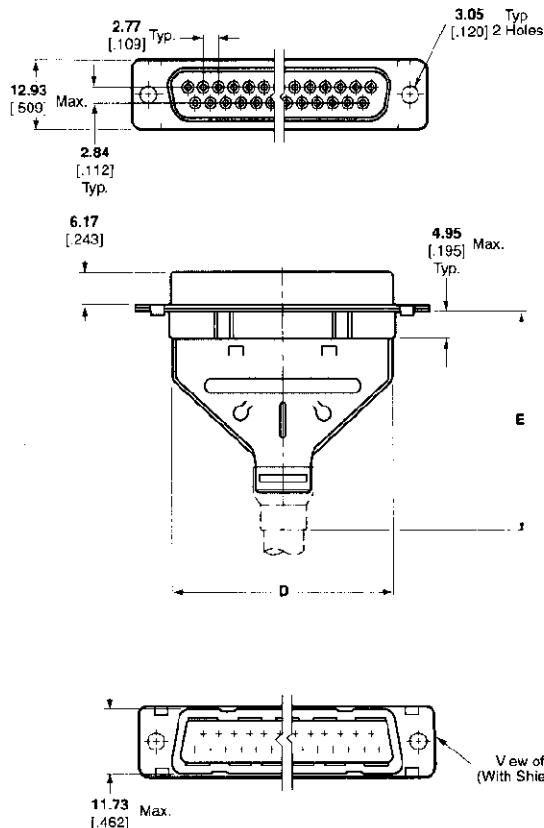
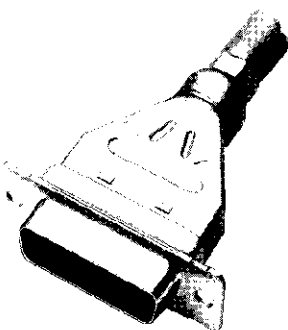




AMPLIMITE Subminiature D Type Connectors (Continued)

HDP-20 Basic Shielding Hardware Kits (Continued)

Receptacle



Input/Output

Parallel Applications

Shell Size	No. of Contact Positions	Dimensions		Recommended Cable Insulation Diameter	Max. Cable Dia.†	Mounting Method	Plug Kit Numbers	Receptacle Kit Numbers
		D	E					
1	9	17.78	38.99	4.19-11.56 .165-.455	8.89 .350	Standard	747522-1	747523-1
		.700	1.535					
2	15	26.01	38.99	4.19-11.56 .165-.455	8.89 .350	Standard	747538-1	747539-1
		1.024	1.535					
3	25	40.03	38.99	4.16-11.56 .165-.455	8.89 .350	Standard	747554-1	747555-1
		1.576	1.535					
4	37	56.26	48.06	8.59-14.28 .338-.562	11.43 .450	Standard	747570-1	747571-1
		2.215	1.892					
5	50	53.85	47.65	8.59-14.28 .338-.562	11.43 .450	Standard	747577-1	747578-1
		2.120	1.876					

Notes: 1. Plugs accept size 20 DF pin contacts and receptacles accept size 20 DF socket contacts.
2. Components of the kits are shipped unassembled and bulk-packaged in quantities of 100 pieces.
†Maximum cable diameter after jacket and braid removed.