



Chipsmall Limited consists of a professional team with an average of over 10 year of expertise in the distribution of electronic components. Based in Hongkong, we have already established firm and mutual-benefit business relationships with customers from,Europe,America and south Asia,supplying obsolete and hard-to-find components to meet their specific needs.

With the principle of “Quality Parts,Customers Priority,Honest Operation,and Considerate Service”,our business mainly focus on the distribution of electronic components. Line cards we deal with include Microchip,ALPS,ROHM,Xilinx,Pulse,ON,Everlight and Freescale. Main products comprise IC,Modules,Potentiometer,IC Socket,Relay,Connector.Our parts cover such applications as commercial,industrial, and automotives areas.

We are looking forward to setting up business relationship with you and hope to provide you with the best service and solution. Let us make a better world for our industry!



Contact us

Tel: +86-755-8981 8866 Fax: +86-755-8427 6832

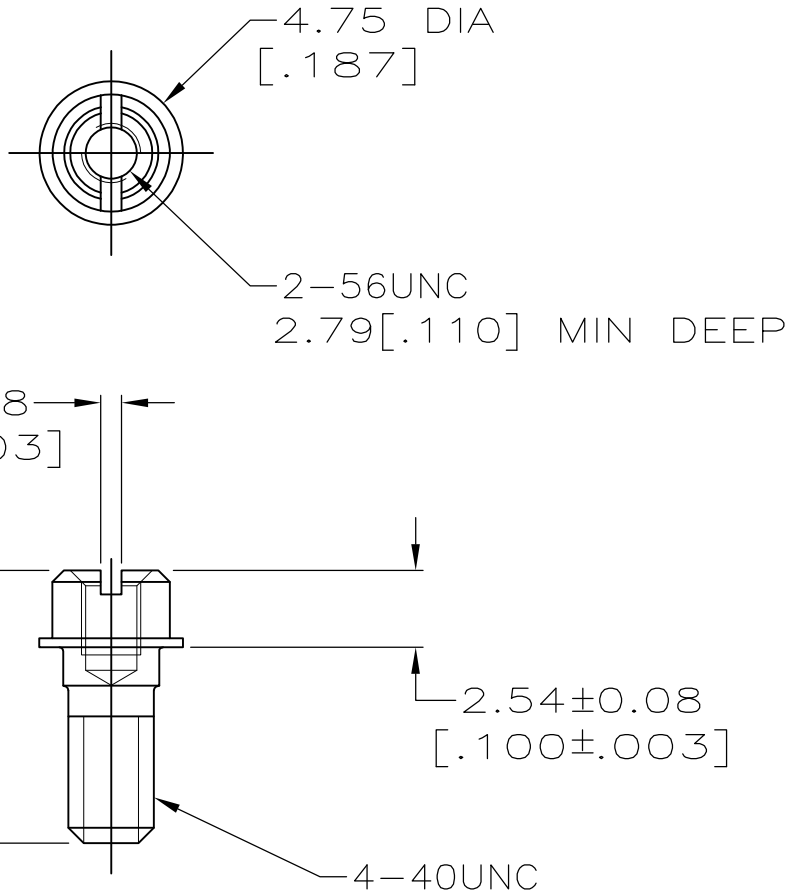
Email & Skype: info@chipsmall.com Web: www.chipsmall.com

Address: A1208, Overseas Decoration Building, #122 Zhenhua RD., Futian, Shenzhen, China



LOC	DIST	REVISIONS					
GP	00	P	LTR	DESCRIPTION	DATE	DWN	APVD
		D3		REVISED PER ECO-11-004835	11MAR11	RK	HMR

1 OBSOLETE PARTS: OBSOLETE CIS STREAMLINING PER D.RENAUD/D.SINISI



OBSOLETE	-	-	750644-3 1
OBSOLETE	BULK	1000	750644-2
	INDIVIDUALLY	2	750644-1
	PACKAGING TYPE	QTY	PART NO

RELEASED FOR PUBLICATION

ALL RIGHTS RESERVED.

THIS DRAWING IS UNPUBLISHED.

By -
COPYRIGHT -

DIMENSIONS: INCHES	DWN	J McCLINTON	12-13-90	MATERIAL	STAINLESS STEEL	FINISH	-
	CHK	R.STONE	1-14-91				
TOLERANCES UNLESS OTHERWISE SPECIFIED:	APVD	-	-				
0 PLC ± -	PRODUCT SPEC	-	-	NAME			
1 PLC ± -	APPLICATION SPEC	-	-	SCREWLOCK KIT, FEMALE, UNASSEMBLED, AMPLIMITE™ .050 SERIES			
2 PLC ± 0.13[.005]	WEIGHT	-	-	SIZE	A4	CAGE CODE	00779
3 PLC ± -				DRAWING NO	C-750644	RESTRICTED TO	-
4 PLC ± -							
ANGLES ± -							
	CUSTOMER DRAWING			SCALE	4:1	SHEET	1 OF 1
							REV D3