



Chipsmall Limited consists of a professional team with an average of over 10 year of expertise in the distribution of electronic components. Based in Hongkong, we have already established firm and mutual-benefit business relationships with customers from,Europe,America and south Asia,supplying obsolete and hard-to-find components to meet their specific needs.

With the principle of “Quality Parts,Customers Priority,Honest Operation,and Considerate Service”,our business mainly focus on the distribution of electronic components. Line cards we deal with include Microchip,ALPS,ROHM,Xilinx,Pulse,ON,Everlight and Freescale. Main products comprise IC,Modules,Potentiometer,IC Socket,Relay,Connector.Our parts cover such applications as commercial,industrial, and automotives areas.

We are looking forward to setting up business relationship with you and hope to provide you with the best service and solution. Let us make a better world for our industry!



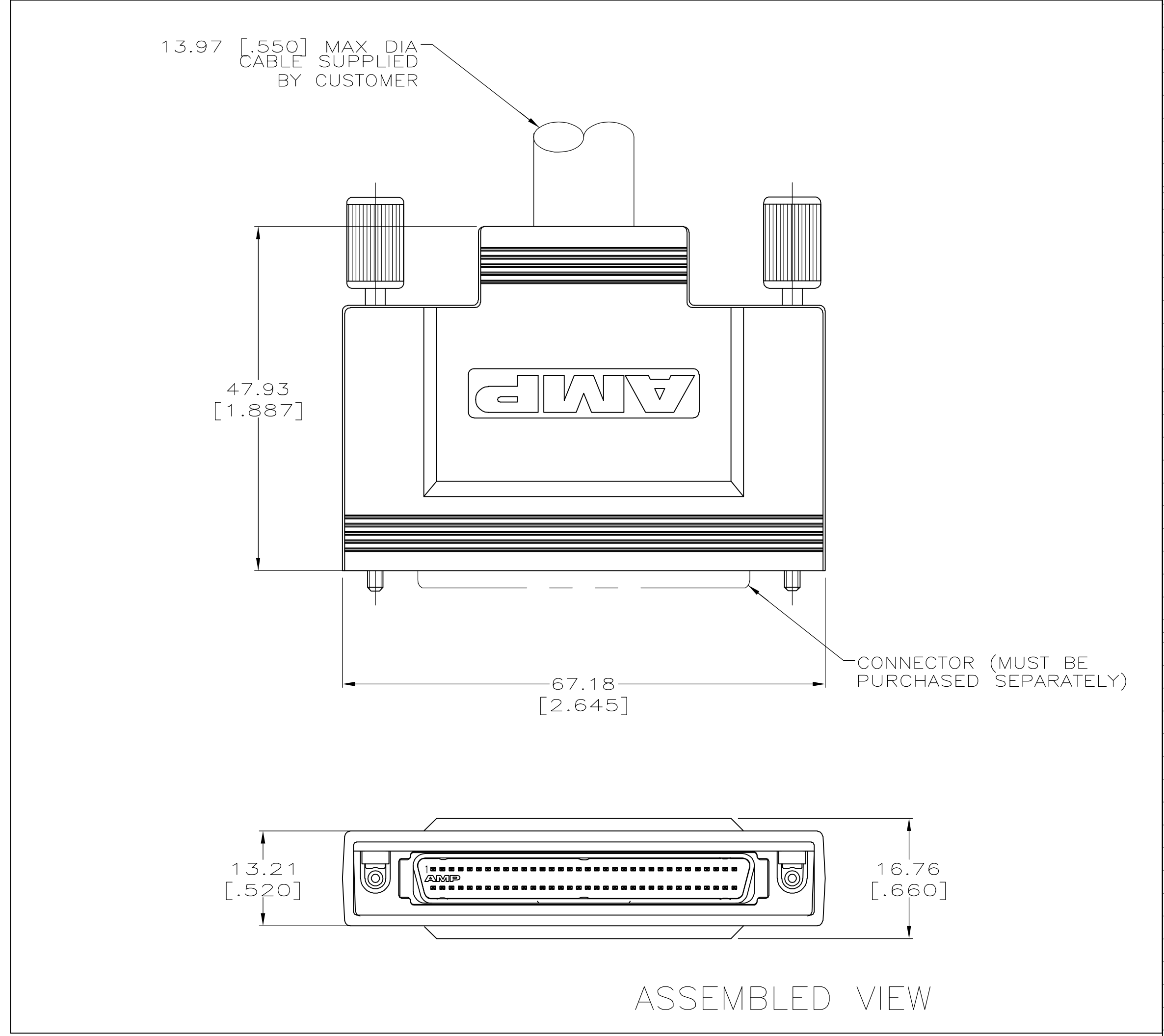
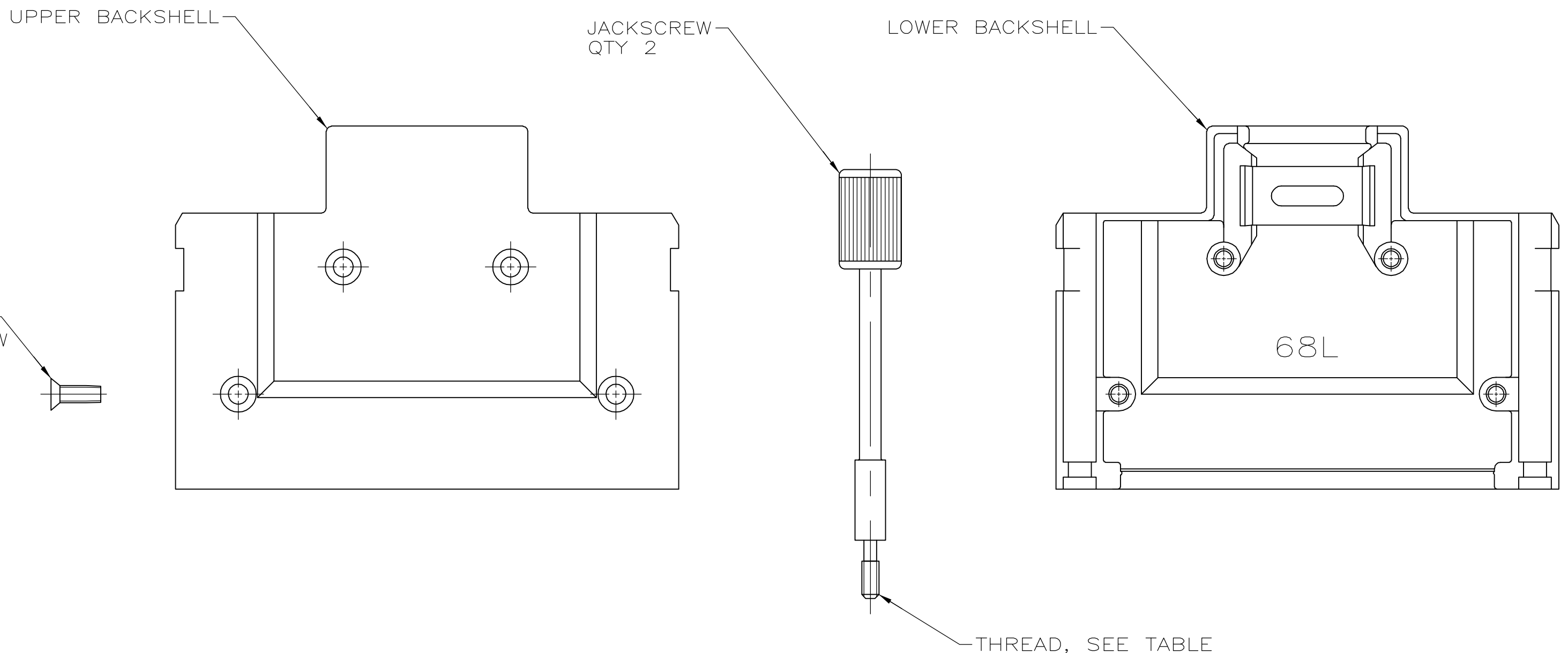
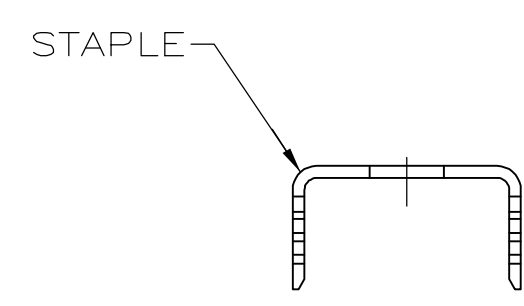
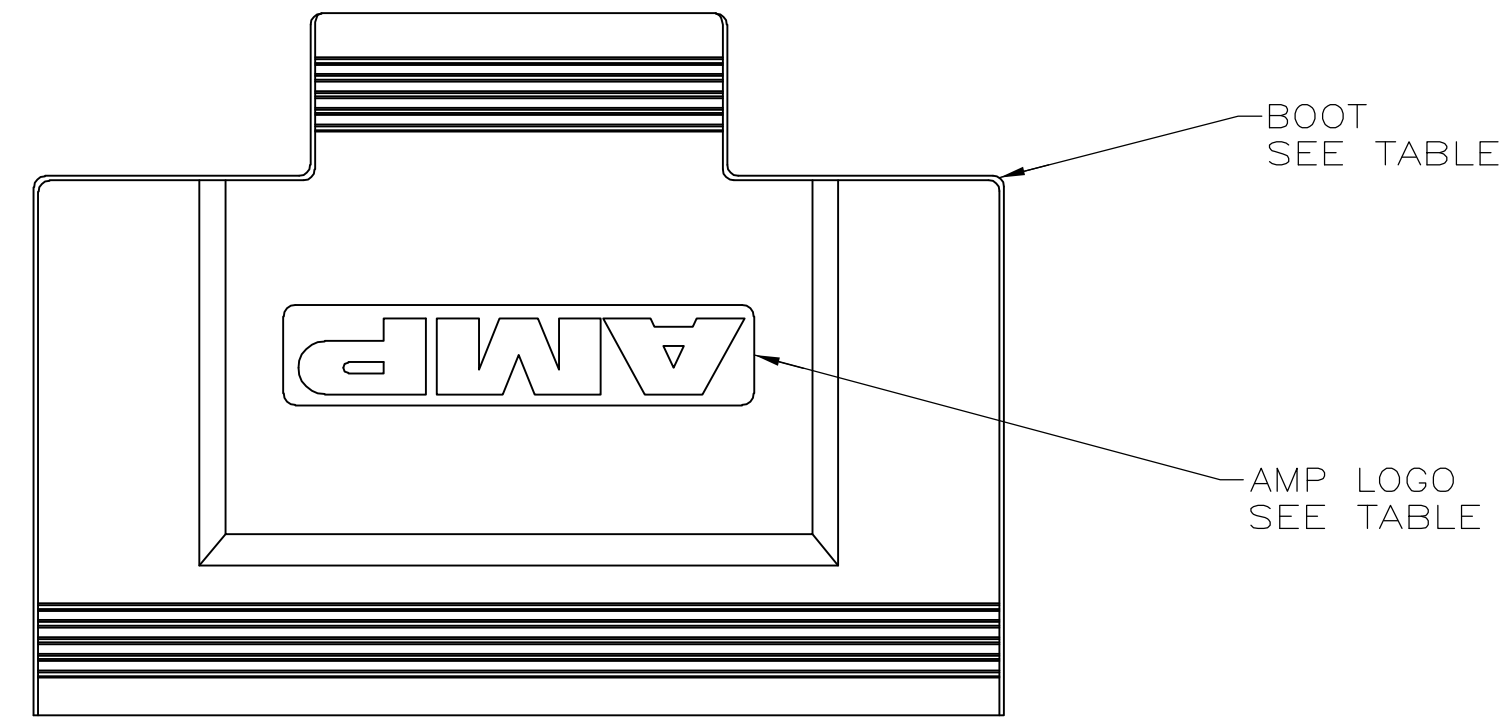
## Contact us

Tel: +86-755-8981 8866 Fax: +86-755-8427 6832

Email & Skype: info@chipsmall.com Web: www.chipsmall.com

Address: A1208, Overseas Decoration Building, #122 Zhenhua RD., Futian, Shenzhen, China





- 1 BOOT MATERIAL: PVC, BLACK.
- 2 BACKSHELL MATERIAL: ZINC PER ASTM B86.
- 3 JACKSCREW MATERIAL: STAINLESS STEEL & PVC, BLACK.
- 4 STAPLE MATERIAL: CARBON STEEL PER ASTM A109.
- 5 SCREW MATERIAL: STAINLESS STEEL.
- 6 STAPLE: 1.27µm [.000050] MIN BRIGHT TIN-LEAD OVER 1.27µm [.000050] MIN NICKEL.
- 7 BULK PACKAGE.
- 8 INDIVIDUAL PACKAGE.
- 9 1.27µm [.000050] MIN BRIGHT TIN OVER 1.27µm [.000050] MIN NICKEL.

SUPERSEDED BY 5750752-1	△	YES	YES	2-56	△	750752-6
SUPERSEDED BY 750752-1	△	NO	YES	2-56	△	750752-5
	△	YES	YES	2-56	△	750752-4
OBSOLETE	△	-	NO	2-56	△	750752-3
OBSOLETE	△	YES	YES	4-40	△	750752-2
	△	YES	YES	2-56	△	750752-1
STAPLE FINISH		AMP LOGO	BOOT	JACKSCREW THREAD		PART NUMBER

THIS DRAWING IS A CONTROLLED DOCUMENT.

DIMENSIONS: mm[INCHES]	TOLERANCES UNLESS OTHERWISE SPECIFIED:	DWG: D. GELTZ CHK: R. STONE DATE: 4/27/91	4-17-91	<b>tyco</b> Electronics	Tyco Electronics Corporation Harrisburg, PA 17105-3608
0 PLC ± -	1 PLC ± -	2 PLC ± 0.51 [.020]	3 PLC ± -	4 PLC ± -	ANGLES ± -
MATERIAL	FINISH	WEIGHT	SIZE: A1	CAGE CODE: 00779	DRAWING NO: 750752
1 2 3 4 5	6		CUSTOMER DRAWING	SCALE: 2:1	SHEET 1 OF 1 REV G2

PRODUCT SPEC: -  
APPLICATION SPEC: -  
RESTRICTED TO: -

BACKSHELL KIT, UNASSEMBLED,  
68 POSITION, .050 SERIES AMPPLITE