



Chipsmall Limited consists of a professional team with an average of over 10 year of expertise in the distribution of electronic components. Based in Hongkong, we have already established firm and mutual-benefit business relationships with customers from,Europe,America and south Asia,supplying obsolete and hard-to-find components to meet their specific needs.

With the principle of “Quality Parts,Customers Priority,Honest Operation,and Considerate Service”,our business mainly focus on the distribution of electronic components. Line cards we deal with include Microchip,ALPS,ROHM,Xilinx,Pulse,ON,Everlight and Freescale. Main products comprise IC,Modules,Potentiometer,IC Socket,Relay,Connector.Our parts cover such applications as commercial,industrial, and automotives areas.

We are looking forward to setting up business relationship with you and hope to provide you with the best service and solution. Let us make a better world for our industry!



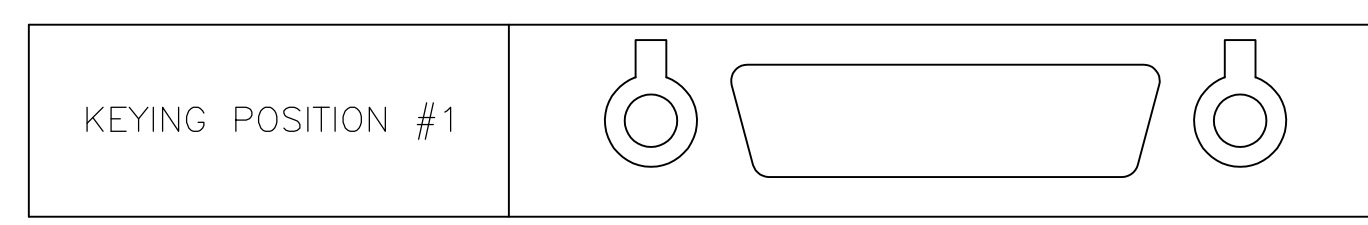
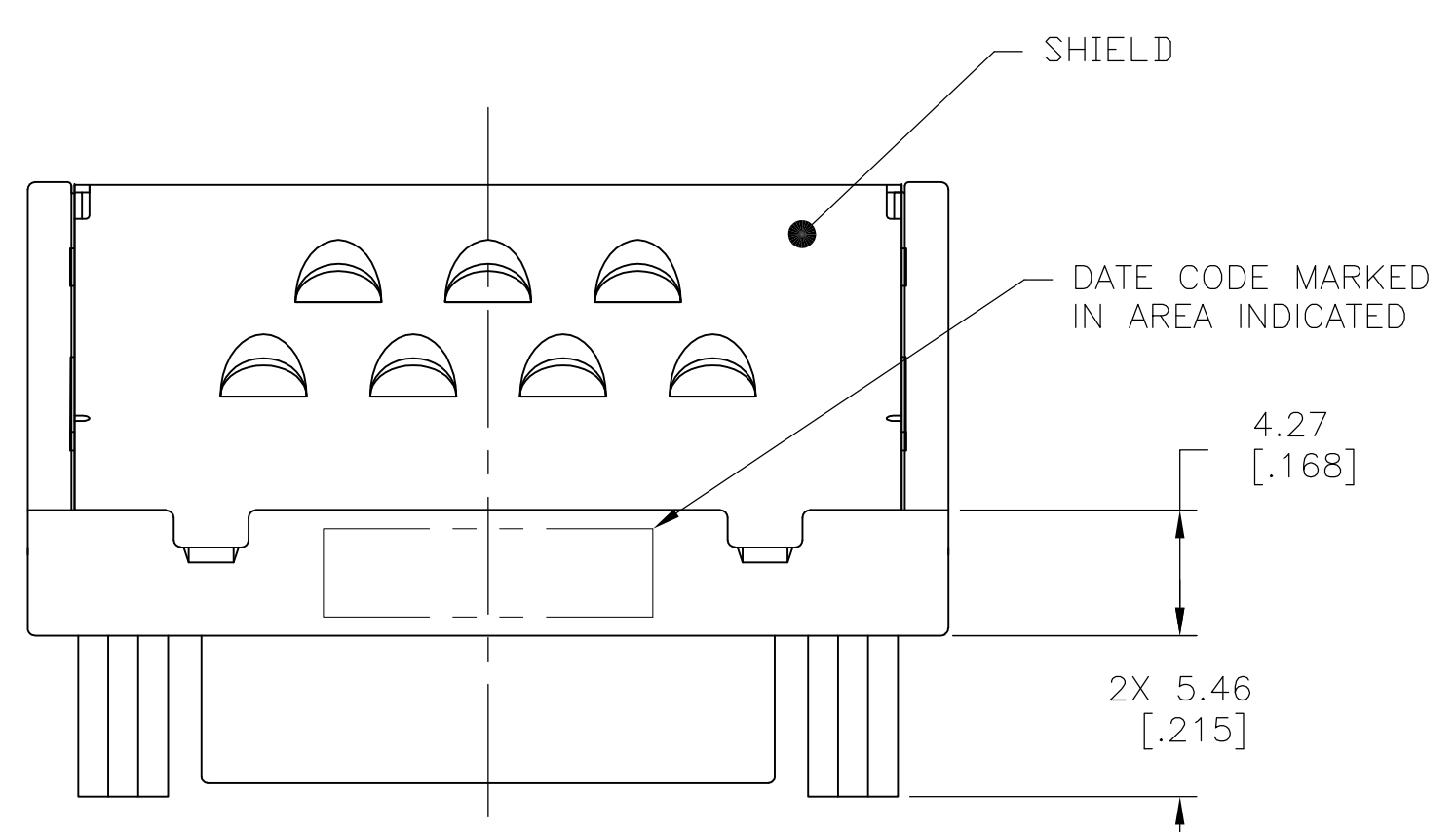
Contact us

Tel: +86-755-8981 8866 Fax: +86-755-8427 6832

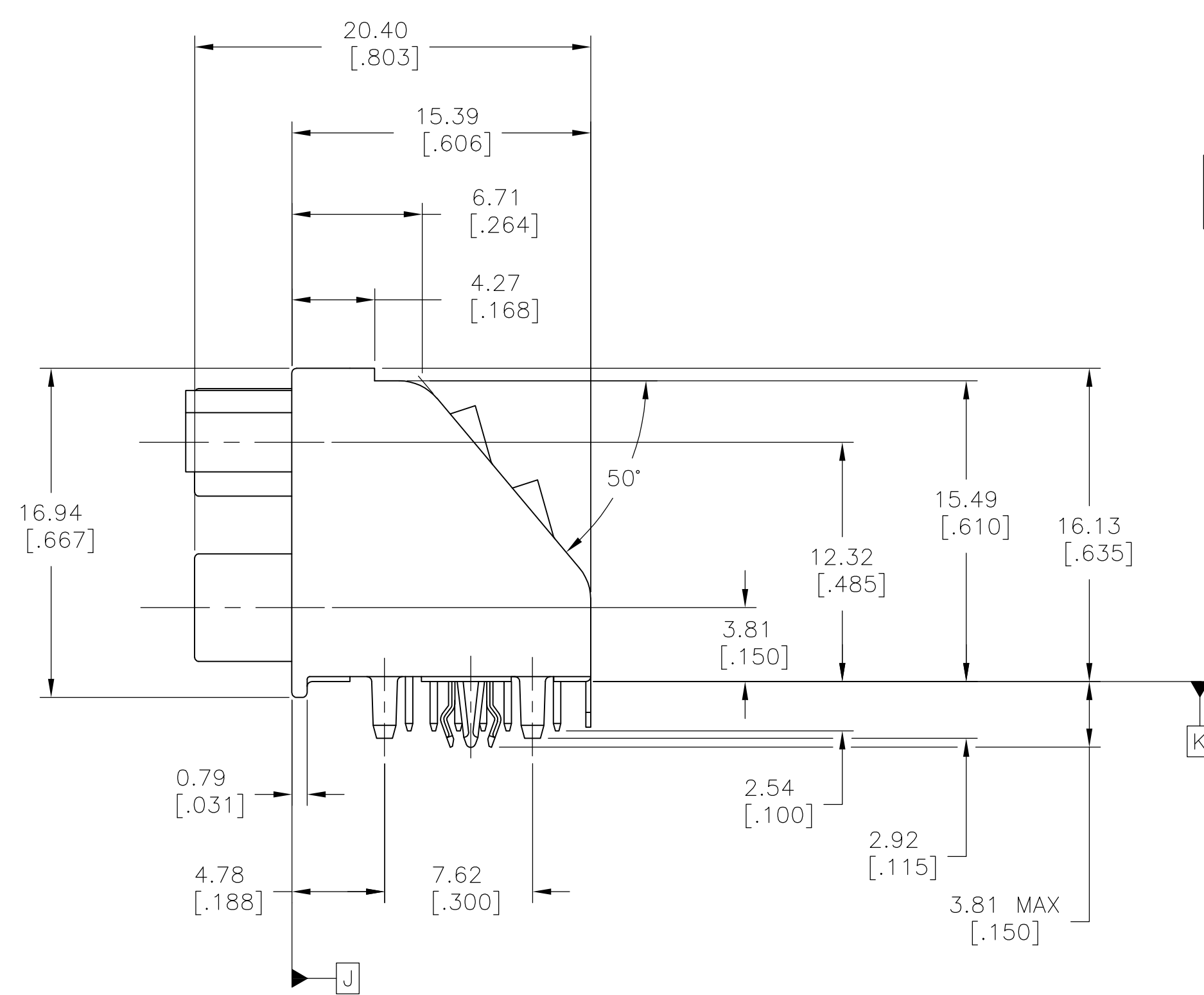
Email & Skype: info@chipsmall.com Web: www.chipsmall.com

Address: A1208, Overseas Decoration Building, #122 Zhenhua RD., Futian, Shenzhen, China

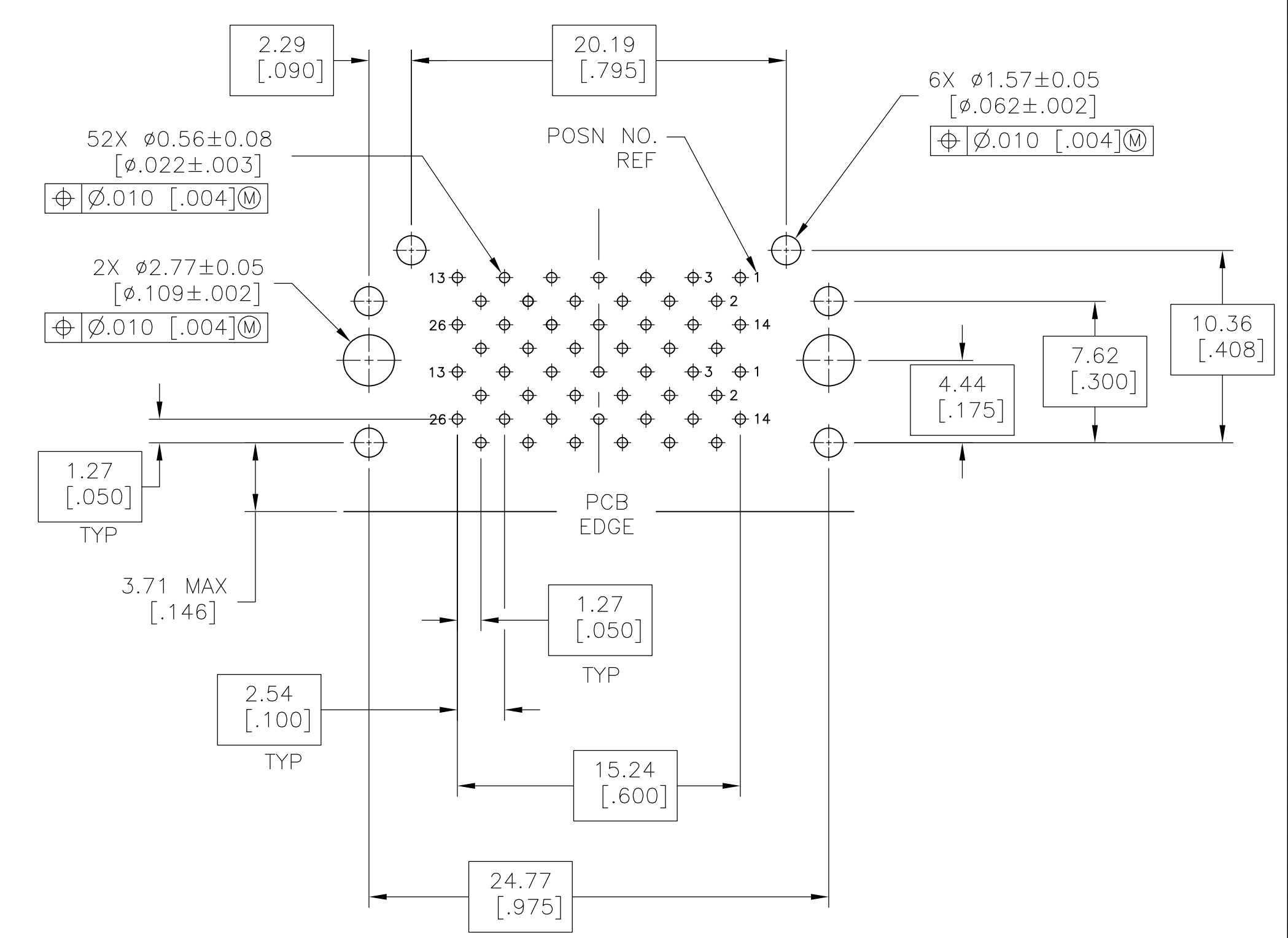




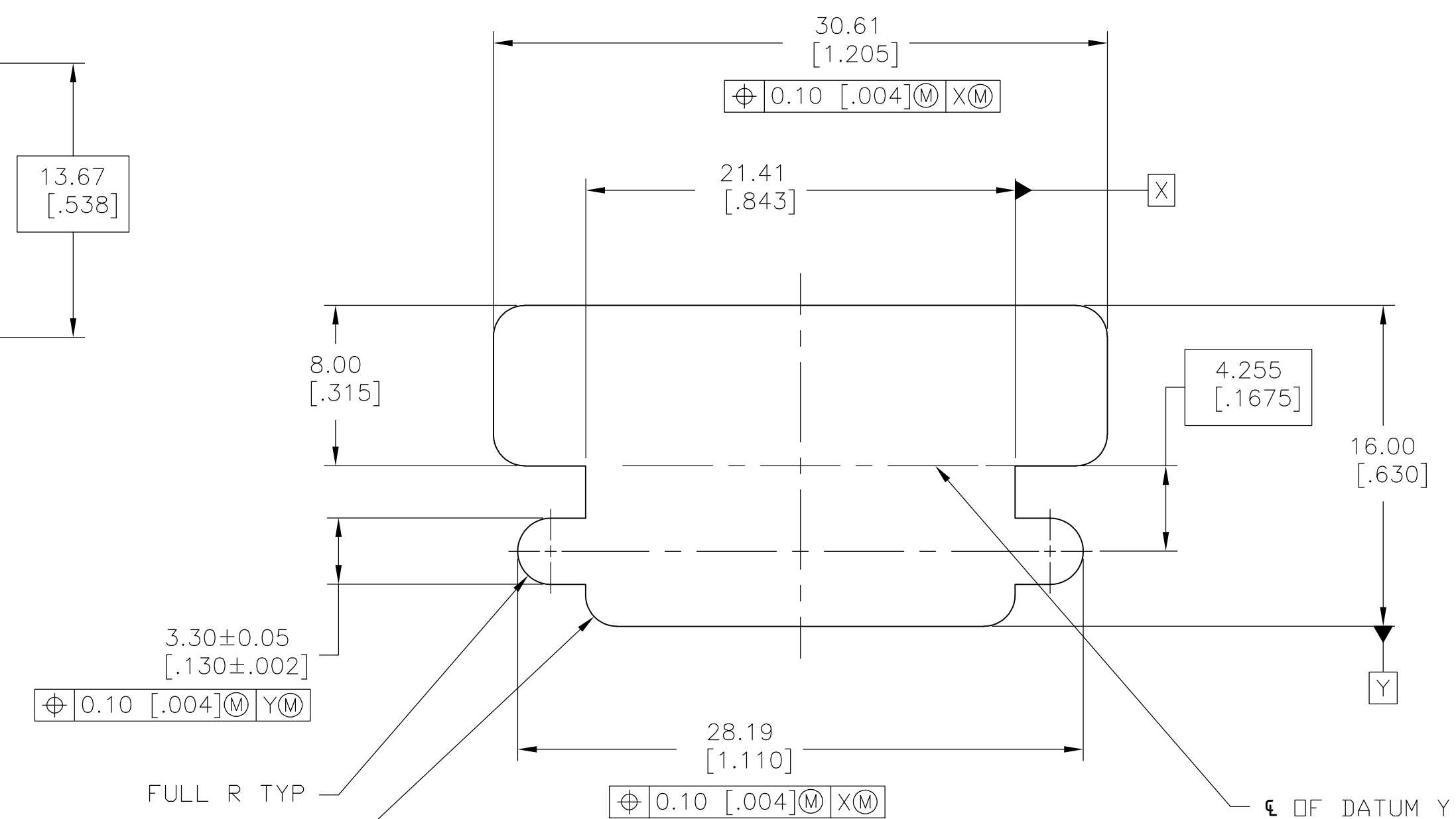
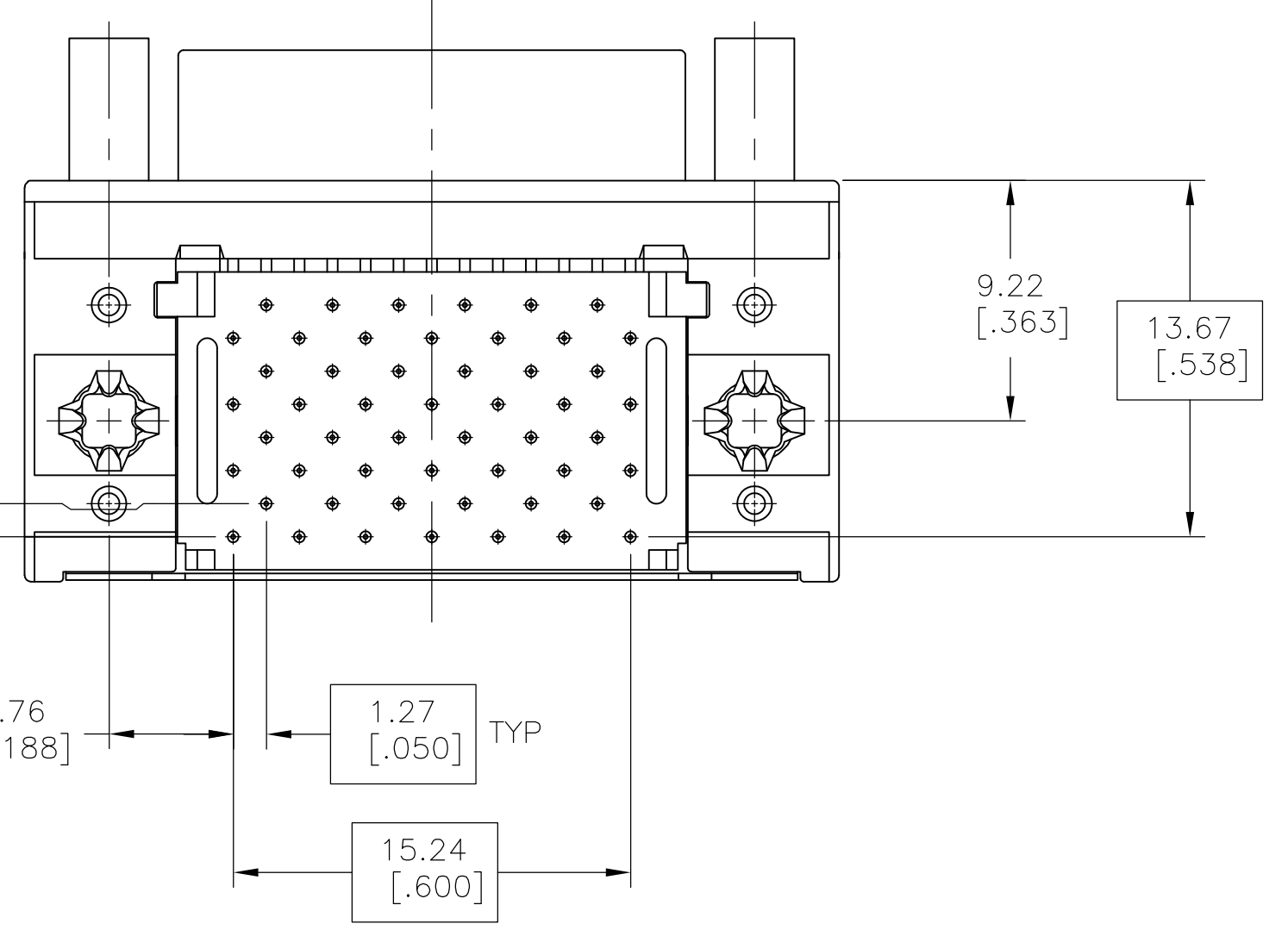
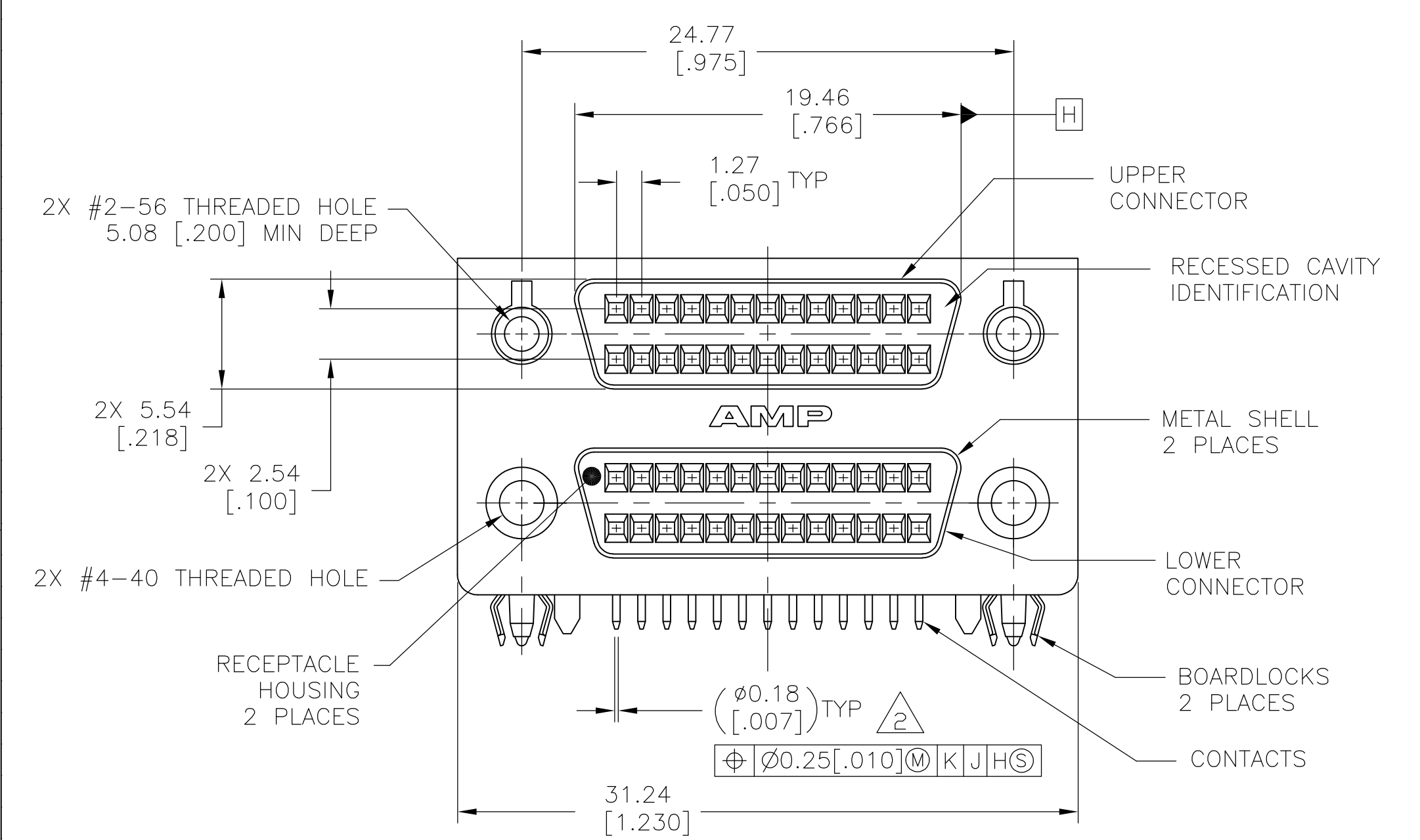
KEYING POSITION CHART
NOT TO SCALE



P.C. BOARD MOUNTING DIMENSIONS
CONNECTOR SIDE



- CONTACT FINISH: GOLD FLASH OVER PALLADIUM-NICKEL PLATE, 0.00076 [.000030] MIN TOTAL ON MATING SURFACES, 0.0038 [.000150] MIN TIN-LEAD PLATE ON SOLDER-TAILS, 0.00127 [.000050] MIN NICKEL UNDERPLATE ON ENTIRE CONTACT. -OR- 0.00076 [.000030] MIN GOLD PLATE ON MATING SURFACES, 0.0038 [.000150] MIN TIN-LEAD PLATE ON SOLDER-TAILS, 0.00127 [.000050] MIN NICKEL UNDERPLATE ON ENTIRE CONTACT.
- POSITION TOLERANCE APPLIES AT TIP ONLY.
- MATERIAL: CONTACTS - PHOSPHOR BRONZE, RECEPTACLE HOUSING - UL 94V-0 RATED LCP, COLOR BLACK, BRACKET - ZINC, METAL SHELL - CARBON STEEL, BOARDLOCKS - COPPER ALLOY, SHIELD - PHOSPHOR BRONZE.
- METAL SHELL FINISH: 0.00508-0.01016 [.000200-.000400] TIN OVER 0.00127-0.00254 [.000050-.000100] COPPER.
- BRACKET FINISH: 0.00508-0.01016 [.000200-.000400] TIN-LEAD OVER 0.00508-0.00762 [.000200-.000300] COPPER.
- BOARD LOCK FINISH: 0.00508-0.01016 [.000200-.000400] TIN-LEAD OVER 0.00127-0.00254 [.000050-.000100] NICKEL.
- SHIELD FINISH: 0.00254-0.00635 [.000100-.000250] TIN.



RECOMMENDED PANEL CUT-OUT

1	UNKEYED	750821-1
UPPER CONNECTOR	LOWER CONNECTOR	PART NUMBER
KEYING POSITION		

THIS DRAWING IS A CONTROLLED DOCUMENT.		DIN C. VALENTINE 06JUL2010	Tyco Electronics Corporation Harrisburg, PA 17105-3608
DIMENSIONS: mm [INCHES]		CHK S. BOLASH 06JUL2010	
TOLERANCES UNLESS OTHERWISE SPECIFIED:		APPV S. BOLASH 06JUL2010	NAME RECEPTACLE ASSEMBLY, SHIELDED, 52 POSN, KEY 1 & UNKEYED, STACKED RIGHT ANGLE, AMPLIMITE .050 Series SLIMLINE
0 PLC ± -		PRODUCT SPEC 108-1366	
1 PLC ± 0.13 [.005]		APPLICATION SPEC 114-40036	SIZE 114-40036
2 PLC ± 0.13 [.005]		WEIGHT -	RESTRICTED TO
3 PLC ± -		CUSTOMER DRAWING	SCALE 4:1 SHEET 1 OF 1 REV F
4 PLC ± -			
ANGLES ± -			
FINISH SEE NOTES			