



Chipsmall Limited consists of a professional team with an average of over 10 year of expertise in the distribution of electronic components. Based in Hongkong, we have already established firm and mutual-benefit business relationships with customers from,Europe,America and south Asia,supplying obsolete and hard-to-find components to meet their specific needs.

With the principle of "Quality Parts,Customers Priority,Honest Operation,and Considerate Service",our business mainly focus on the distribution of electronic components. Line cards we deal with include Microchip,ALPS,ROHM,Xilinx,Pulse,ON,Everlight and Freescale. Main products comprise IC,Modules,Potentiometer,IC Socket,Relay,Connector.Our parts cover such applications as commercial,industrial, and automotives areas.

We are looking forward to setting up business relationship with you and hope to provide you with the best service and solution. Let us make a better world for our industry!



## Contact us

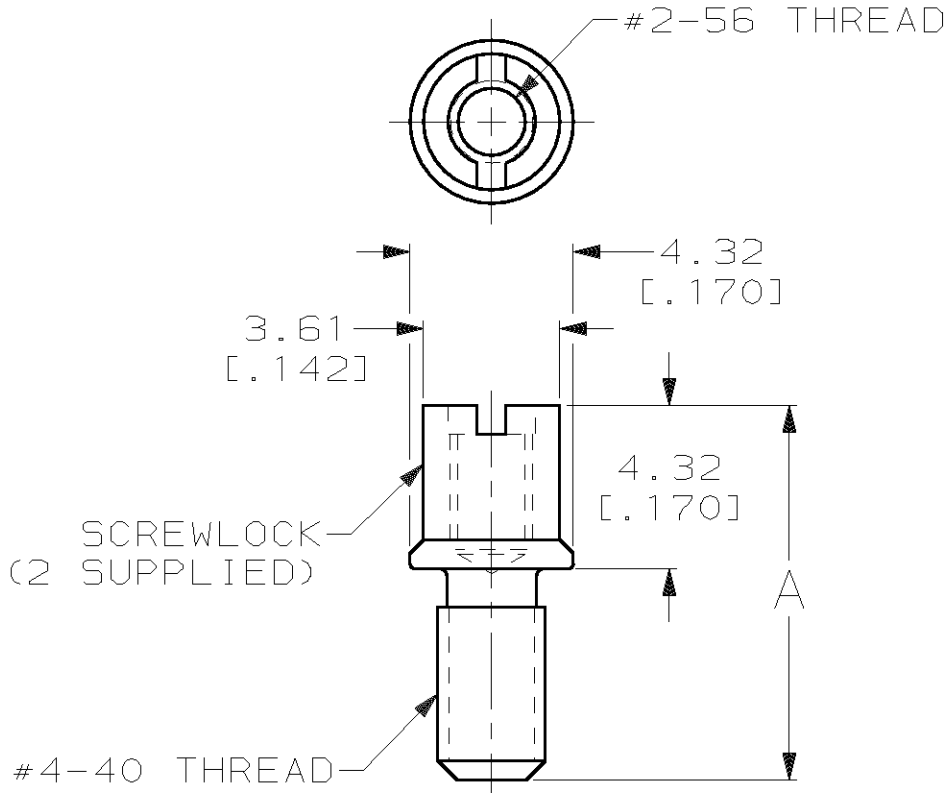
Tel: +86-755-8981 8866 Fax: +86-755-8427 6832

Email & Skype: info@chipsmall.com Web: www.chipsmall.com

Address: A1208, Overseas Decoration Building, #122 Zhenhua RD., Futian, Shenzhen, China



LOC	DIST	REVISIONS					
BD	95	P	LTR	DESCRIPTION	DATE	DWN	APVD
			B	REV PER ECN BD6083	07 AUG 92	-	RW
			C	OBS -2 PER EC 0020-481-96	13 FEB 97	DH	LB
			D	REACTIVATED -2	29 JAN 99	BC	DR
				PER EC 0G40-30-99			



1. KIT TO BE USED WITH CONNECTORS MOUNTED TO PANELS HAVING A THICKNESS OF 1.19[.047].

2 COMPONENTS BULK PACKED.

3 INDIVIDUAL KIT PACKAGE.

2/2	9.91 [.390]	750831-2
2/3	9.91 [.390]	750831-1
QUANTITY	A	PART NO

RELEASED FOR PUBLICATION

THIS DRAWING IS UNPUBLISHED.

BY AMP INCORPORATED. ALL RIGHTS RESERVED.

DIMENSIONS: mm [INCHES]	DWN	M.E.SHIRK	30 SEP 91	MATERIAL	-	FINISH	-
	CHK	J.P.HUSS	30 SEP 91	AMP Incorporated Harrisburg, PA 17105-3608			
TOLERANCES UNLESS OTHERWISE SPECIFIED:	APVD	R.N.WHITEMAN	01 OCT 91				
	0 PLC ±-	1 PLC ±-	2 PLC ±0.38[.015]	APPLICATION SPEC	114-40036		
3 PLC ±-	4 PLC ±-	ANGLES ±-	WEIGHT	-	NAME	SCREWLOCK KIT, FEMALE, SLIMLINE, AMPLIMITE™ .050 SERIES	
				SIZE	A4	CAGE CODE	00779
				DRAWING NO	C-750831		
CUSTOMER DRAWING				SCALE	5:1	SHEET	1 OF 1
				REV	D		