



Chipsmall Limited consists of a professional team with an average of over 10 year of expertise in the distribution of electronic components. Based in Hongkong, we have already established firm and mutual-benefit business relationships with customers from,Europe,America and south Asia,supplying obsolete and hard-to-find components to meet their specific needs.

With the principle of “Quality Parts,Customers Priority,Honest Operation,and Considerate Service”,our business mainly focus on the distribution of electronic components. Line cards we deal with include Microchip,ALPS,ROHM,Xilinx,Pulse,ON,Everlight and Freescale. Main products comprise IC,Modules,Potentiometer,IC Socket,Relay,Connector.Our parts cover such applications as commercial,industrial, and automotives areas.

We are looking forward to setting up business relationship with you and hope to provide you with the best service and solution. Let us make a better world for our industry!



Contact us

Tel: +86-755-8981 8866 Fax: +86-755-8427 6832

Email & Skype: info@chipsmall.com Web: www.chipsmall.com

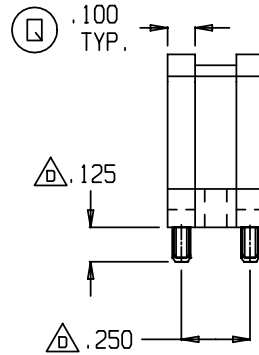
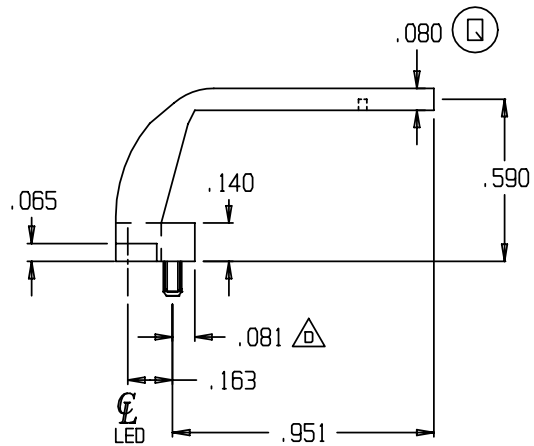
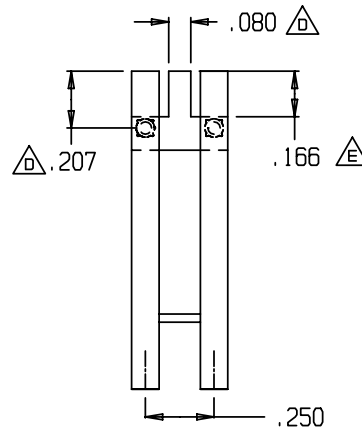
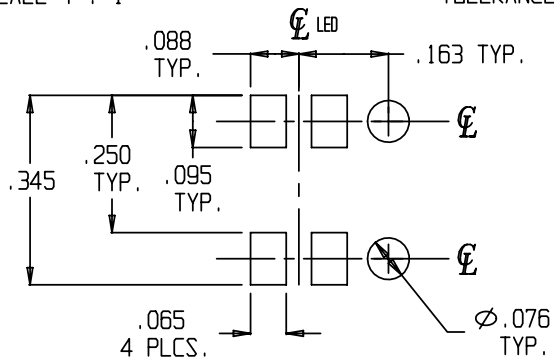
Address: A1208, Overseas Decoration Building, #122 Zhenhua RD., Futian, Shenzhen, China



MOUNTING HOLE AND SOLDER PAD CONFIGURATION

SCALE 4 : 1

TOLERANCE ± .005



REV	ECR NO./DESCRIPTION	DATE
A	11943 NEW RELEASE	07/26/95
B	11995 PAPER	08/14/95
C	12169 MV REDESIGN	09/18/95
D	12507 MV CREATE SALES DRAWING	12/12/95
E	12606 MV ELIMINATED INTERIOR ANGLE	01/05/96

NOTES:

1. ALL DIMENSIONS ARE IN INCHES.
2. PART DESIGNED TO BE USED WITH IDI 7016X SERIES SURFACE MOUNT LEADS.

DO NOT SCALE

THIS DWG IS THE PROPERTY OF INDUSTRIAL DEVICES, INC. AND IS PROPRIETARY IN GENERAL AND IN DETAIL. IT SHALL NOT BE COPIED OR ITS CONTENTS REVEALED TO OUTSIDE PARTIES WITHOUT THE WRITTEN CONSENT OF INDUSTRIAL DEVICES, INC.

ⓐ FOR INSPECTION USE ONLY
 ⊗ SPC DOCUMENTATION REQ. (X R CHARTS)

DIST.
S

PART NO.	TITLE	
MODEL NO. 7511A22	DUAL POSITION LIGHTPIPE	
MATERIAL: POLYCARBONATE CLEAR	INDUSTRIAL DEVICES INC. <small>A CHICAGO MINIATURE COMPANY 260 RAILROAD AVE. HACKENSACK, NJ 07601</small>	
FINISH:		
TOLERANCE UNLESS OTHERWISE SPECIFIED:	DRAWN M. VALZANIA	SCALE: 2 : 1
FRACTION INCHES ± 1/64 xxx ± .010 (0.25)	CHECKED	B12814
ANGLE ± 1 deg.	ENG. APPRV	
		REV E