



Chipsmall Limited consists of a professional team with an average of over 10 year of expertise in the distribution of electronic components. Based in Hongkong, we have already established firm and mutual-benefit business relationships with customers from,Europe,America and south Asia,supplying obsolete and hard-to-find components to meet their specific needs.

With the principle of “Quality Parts,Customers Priority,Honest Operation,and Considerate Service”,our business mainly focus on the distribution of electronic components. Line cards we deal with include Microchip,ALPS,ROHM,Xilinx,Pulse,ON,Everlight and Freescale. Main products comprise IC,Modules,Potentiometer,IC Socket,Relay,Connector.Our parts cover such applications as commercial,industrial, and automotives areas.

We are looking forward to setting up business relationship with you and hope to provide you with the best service and solution. Let us make a better world for our industry!



Contact us

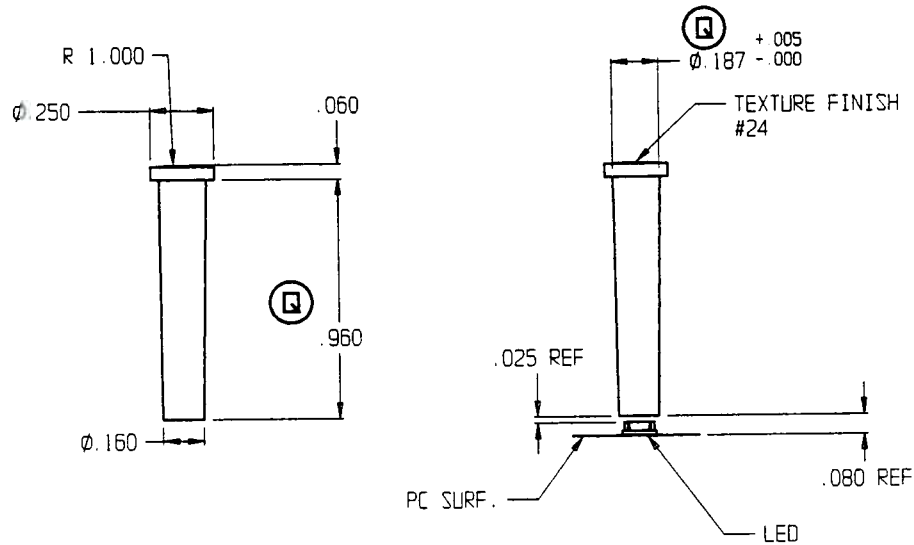
Tel: +86-755-8981 8866 Fax: +86-755-8427 6832

Email & Skype: info@chipsmall.com Web: www.chipsmall.com

Address: A1208, Overseas Decoration Building, #122 Zhenhua RD., Futian, Shenzhen, China



REV	ECR NO./DESCRIPTION	DATE
A	14214 NEW RELEASE	1/14/97
B	14265 HM OMIT DET. X, .960 WAS .930	2/4/97
C	14302 HM CHANGED TO SALES DWG	2/12/97





NOTES:

1. LIGHTPIPE TO BE MOLDED IN A CLEAR 94-VO POLYCARBONATE.
2. COMPONENT TO BE FREE OF IMPERFECTIONS WHICH WOULD INTERFERE WITH THE DESIGNED LIGHT OUTPUT.
3. LED SHOWN FOR REFERENCE

FOR INSPECTION USE ONLY
 SPC DOCUMENTATION REQ. (X R CHARTS)

OCT 10 2000 DIST S

PART NO.	TITLE		
MODEL NO. 7511A44	VERTICAL LIGHTPIPE		
MATERIAL	SEE NOTE	 INDUSTRIAL DEVICES INC. A CHICAGO MINIATURE COMPANY 280 RAILROAD AVE HACKENSACK, NJ 07601	
FINISH:	NOTED		
TOLERANCE UNLESS OTHERWISE SPECIFIED:	DRAWN S WU	SCALE 2 : 1	
INCHES *** & 010	CHECKED NS 2-13-97		
ANGLE ± 1 DEG	ENG APPR P. 2/12/97		
			B13463 REV C

THIS DWG IS THE PROPERTY OF INDUSTRIAL DEVICES, INC. AND IS PROPRIETARY IN GENERAL AND IN DETAIL. IT SHALL NOT BE COPIED OR ITS CONTENTS REVEALED TO OUTSIDE PARTIES WITHOUT THE WRITTEN CONSENT OF INDUSTRIAL DEVICES, INC.

DO NOT SCALE