



Chipsmall Limited consists of a professional team with an average of over 10 year of expertise in the distribution of electronic components. Based in Hongkong, we have already established firm and mutual-benefit business relationships with customers from,Europe,America and south Asia,supplying obsolete and hard-to-find components to meet their specific needs.

With the principle of “Quality Parts,Customers Priority,Honest Operation,and Considerate Service”,our business mainly focus on the distribution of electronic components. Line cards we deal with include Microchip,ALPS,ROHM,Xilinx,Pulse,ON,Everlight and Freescale. Main products comprise IC,Modules,Potentiometer,IC Socket,Relay,Connector.Our parts cover such applications as commercial,industrial, and automotives areas.

We are looking forward to setting up business relationship with you and hope to provide you with the best service and solution. Let us make a better world for our industry!



## Contact us

Tel: +86-755-8981 8866 Fax: +86-755-8427 6832

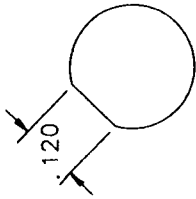
Email & Skype: info@chipsmall.com Web: www.chipsmall.com

Address: A1208, Overseas Decoration Building, #122 Zhenhua RD., Futian, Shenzhen, China

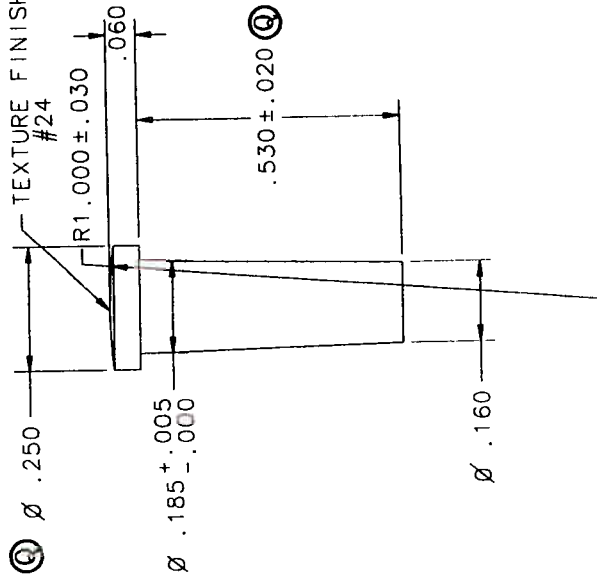


REVISIONS		
REV	ECR NO	DATE
A	16926	10/5/98
B	17117	11/12/98
		DESCRIPTION
		NEW RELEASE
		CHG'D DIST KB

- NOTES:
- LIGHTPIPE TO BE MOLDED IN A CLEAR 94-VO POLYCARBONATE COMPONENT TO BE FREE OF IMPERFECTIONS WHICH WOULD INTERFERE WITH THE DESIGNED LIGHT OUTPUT.



Ⓢ TEXTURE FINISH Ⓢ VISUAL #24



OCT 10 AM

DIM ARE IN INCHES		Ⓢ FOR INSPECTION USE ONLY		Ⓢ SPC DOCUMENTATION REQ. (X R CHARTS)	
THIS DRAWING IS THE PROPERTY OF CHICAGO MINIATURE LAMP, INC. AND THE PROPRIETARY IN GENERAL AND IN DETAIL. IT SHALL NOT BE COPIED OR ITS CONTENTS REVEALED TO OUTSIDE PARTIES WITHOUT THE WRITTEN CONSENT OF CHICAGO MINIATURE LAMP, INC.		DATE	PART NO	MODEL NO	MOLD NO
11/12/98	7511A86				
DRAWN BY: K. BARRETT		DATE	DATE	DATE	DATE
		11/12/98	11/12/98	11/12/98	11/12/98
TOLERANCES UNLESS OTHERWISE SPECIFIED:		XX +/- .010		XXX +/- .010	
		ANGLE +/- 1 DEC.			
CHICAGO MINIATURE LAMP, INC.		147 CENTRAL AVE. HACKENSACK, NJ 07601		TITLE: VERTICAL LIGHTPIPE	
DIST. S		DWG NO B15413		REV B	
FINISH NOTED		SCALE 4 : 1		SHEET 1 OF 1	

SDRC FILE NAME: 7511A86.1198.KB.MF1