



Chipsmall Limited consists of a professional team with an average of over 10 year of expertise in the distribution of electronic components. Based in Hongkong, we have already established firm and mutual-benefit business relationships with customers from,Europe,America and south Asia,supplying obsolete and hard-to-find components to meet their specific needs.

With the principle of “Quality Parts,Customers Priority,Honest Operation,and Considerate Service”,our business mainly focus on the distribution of electronic components. Line cards we deal with include Microchip,ALPS,ROHM,Xilinx,Pulse,ON,Everlight and Freescale. Main products comprise IC,Modules,Potentiometer,IC Socket,Relay,Connector.Our parts cover such applications as commercial,industrial, and automotives areas.

We are looking forward to setting up business relationship with you and hope to provide you with the best service and solution. Let us make a better world for our industry!



Contact us

Tel: +86-755-8981 8866 Fax: +86-755-8427 6832

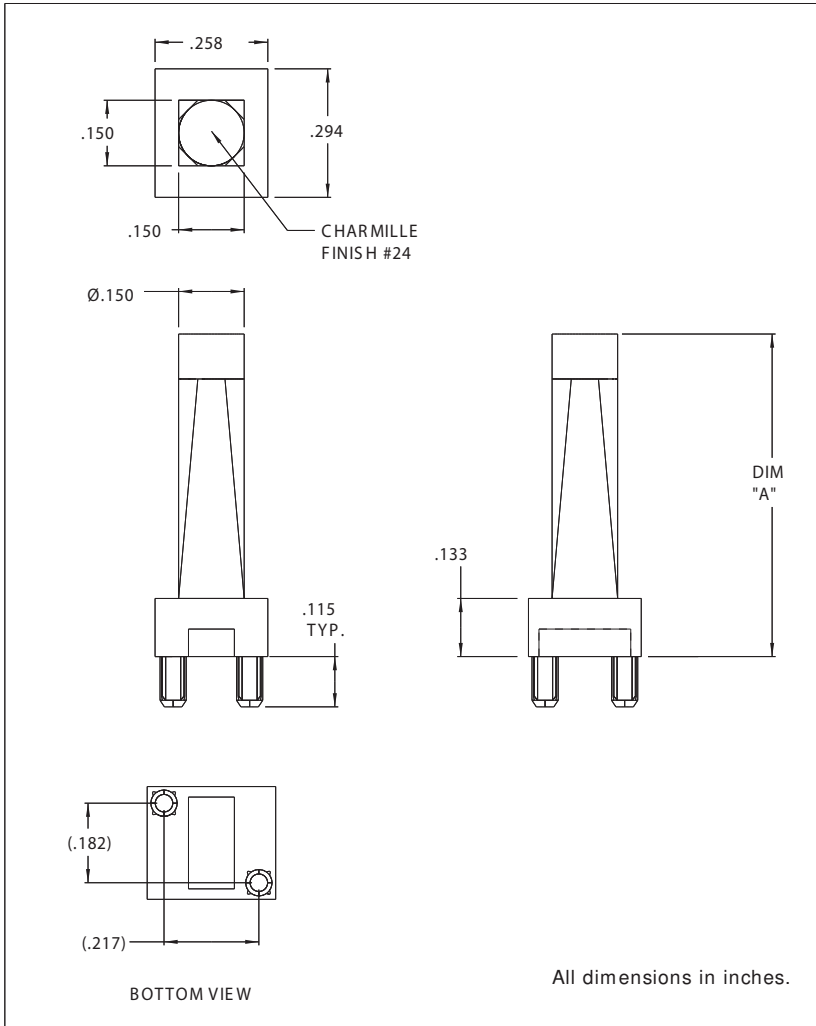
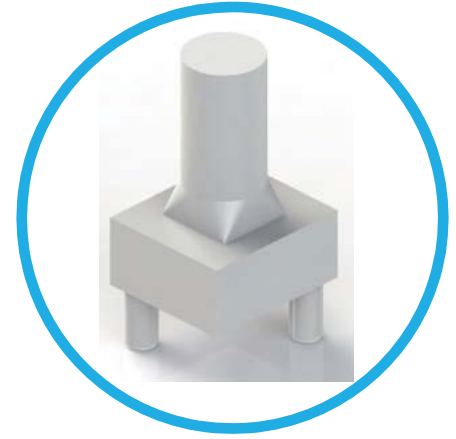
Email & Skype: info@chipsmall.com Web: www.chipsmall.com

Address: A1208, Overseas Decoration Building, #122 Zhenhua RD., Futian, Shenzhen, China



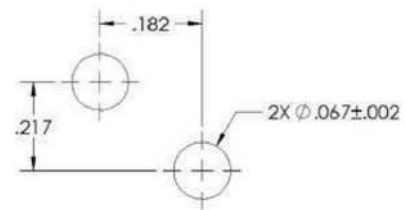


7511A87 Series BrightPipes™ Optical Lightpipes



- Precision engineered with ray tracing for bright, optically precise even indication and attractive appearance.
- ESD protection from circuitry for exceptional reliability.
- Designed for use with 7016X Series Bright Chip LEDs.
- High contrast and wide viewing angle for greater visibility.
- Large lens provides high visibility.
- All dimensions in inches.
- Material: Polycarbonate UL94 V-0

Recommended Mounting Hole Pattern



PART NO.	DIM "A"
7511A87-500	.500
7511A87-450	.450
7511A87-400	.400
7511A87-350	.350
7511A87-300	.300
7511A87-250	.250