



Chipsmall Limited consists of a professional team with an average of over 10 year of expertise in the distribution of electronic components. Based in Hongkong, we have already established firm and mutual-benefit business relationships with customers from,Europe,America and south Asia,supplying obsolete and hard-to-find components to meet their specific needs.

With the principle of “Quality Parts,Customers Priority,Honest Operation,and Considerate Service”,our business mainly focus on the distribution of electronic components. Line cards we deal with include Microchip,ALPS,ROHM,Xilinx,Pulse,ON,Everlight and Freescale. Main products comprise IC,Modules,Potentiometer,IC Socket,Relay,Connector.Our parts cover such applications as commercial,industrial, and automotives areas.

We are looking forward to setting up business relationship with you and hope to provide you with the best service and solution. Let us make a better world for our industry!



## Contact us

Tel: +86-755-8981 8866 Fax: +86-755-8427 6832

Email & Skype: info@chipsmall.com Web: www.chipsmall.com

Address: A1208, Overseas Decoration Building, #122 Zhenhua RD., Futian, Shenzhen, China

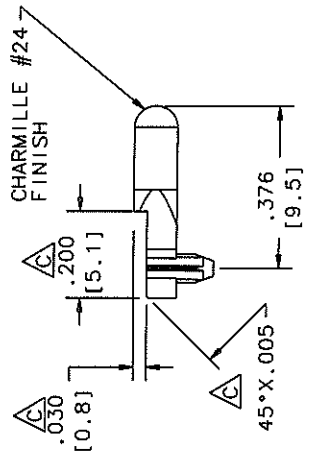
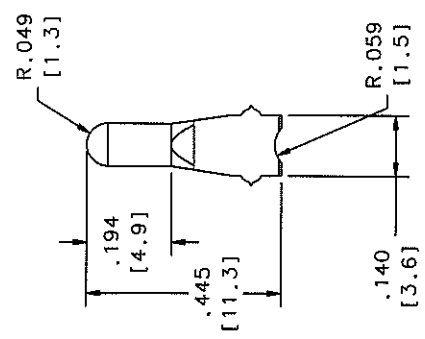


NOTES:

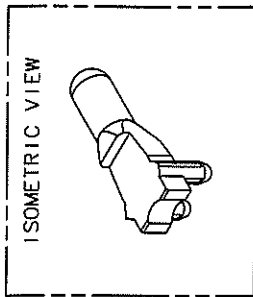
- 1-PART DESIGNED TO BE USED WITH CMD12-21 SERIES RIGHT ANGLE LED.
- 2-MATERIAL: CLEAR POLYCARBONATE UL94V-0.
- 3-PARTS TO BE FREE OF BUBBLES AND BLACK SPECKS THAT MAY INHIBIT LIGHT OUTPUT WHEN VIEWED AT THE NORMAL VIEWING ANGLE.
- 4-ALL SURFACES MUST HAVE A FINISH OF 15u INCH UNLESS OTHERWISE SPECIFIED.

REVISIONS

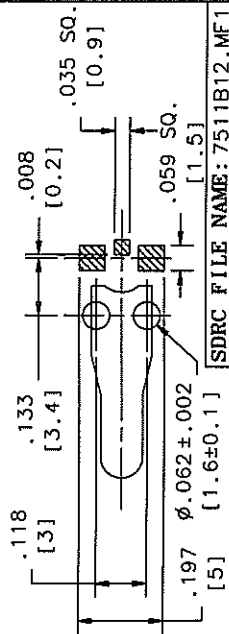
REV	ECR NO	DESCRIPTION	DATE
A	20960	NEW RELEASE	9/24/01
B	21161	40° DIM. WAS 60° (JL)	11/20/01
C	21317	TOP SURFACE WAS FLAT	1/23/02
D	22465	ADDED 7511B12-C (JL)	4/17/03
E	22702	ADDED TAB DIM. "B", "C"	7/22/03



MODEL NO.	DIM. "A"	DIM. "B"	DIM. "C"
7511B12-B	.085±.005	40°	.027
7511B12-C	.060±.003	45°	.010



MOUNTING HOLES AND PAD LAYOUT



DIM ARE IN INCHES

FOR INSPECTION USE ONLY

SPC DOCUMENTATION REQ. (X R CHARTS)

THIS DRAWING IS THE PROPERTY OF CHICAGO MINIATURE LAMP, INC AND IS PROPRIETARY IN GENERAL AND IN DETAIL. IT SHALL NOT BE COPIED OR ITS CONTENTS REVEALED TO OUTSIDE PARTIES WITHOUT THE WRITTEN CONSENT OF CHICAGO MINIATURE LAMP, INC

DATE	DATE	DATE	DATE
JL 9/01	DATE	DATE	DATE

CHICAGO MINIATURE LAMP, INC  
147 CENTRAL AVE., HACKENSACK, NJ 07601

TITLE: SINGLE POSITION LIGHT PIPE

DIST. S DWG NO B17198 REV E

SCALE: 4:1 SHEET

ORIGINAL  
WHEN RED