



Chipsmall Limited consists of a professional team with an average of over 10 year of expertise in the distribution of electronic components. Based in Hongkong, we have already established firm and mutual-benefit business relationships with customers from,Europe,America and south Asia,supplying obsolete and hard-to-find components to meet their specific needs.

With the principle of “Quality Parts,Customers Priority,Honest Operation,and Considerate Service”,our business mainly focus on the distribution of electronic components. Line cards we deal with include Microchip,ALPS,ROHM,Xilinx,Pulse,ON,Everlight and Freescale. Main products comprise IC,Modules,Potentiometer,IC Socket,Relay,Connector.Our parts cover such applications as commercial,industrial, and automotives areas.

We are looking forward to setting up business relationship with you and hope to provide you with the best service and solution. Let us make a better world for our industry!



Contact us

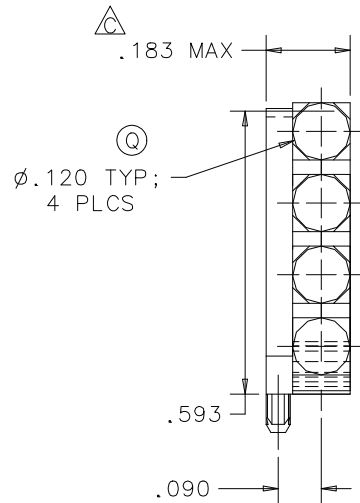
Tel: +86-755-8981 8866 Fax: +86-755-8427 6832

Email & Skype: info@chipsmall.com Web: www.chipsmall.com

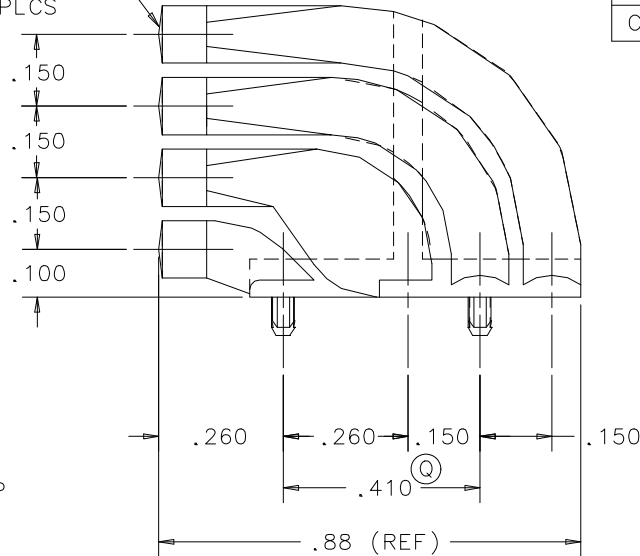
Address: A1208, Overseas Decoration Building, #122 Zhenhua RD., Futian, Shenzhen, China



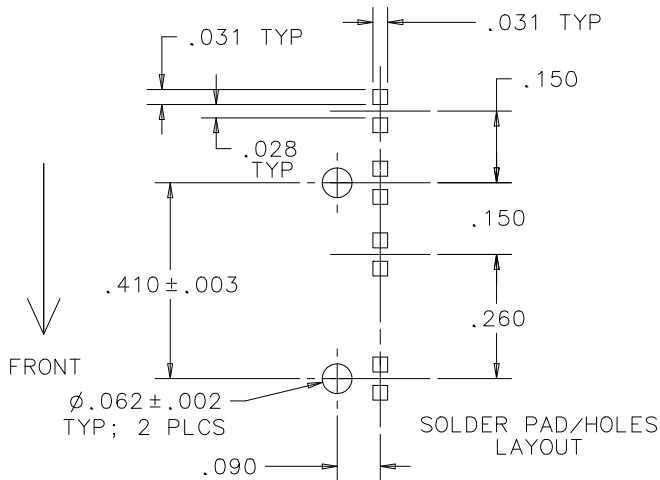
REVISIONS			
REV	ECR NO	DESCRIPTION	DATE
A	20632	NEW RELEASE	6-21-01
B	20794	REVISED SOLDER PAD LAYOUT & LED P/N'S.	
C	31345	.183 MAX WAS .175 MAX	4-9-2010



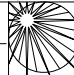
DIFFUSED FRONT SURFACES
TYP; 4 PLCS



- NOTES:
1. COMPONENT TO BE MOLDED IN A CLEAR TRANSMISSIVE POLYCARBONATE WITH FLAMABILITY RATING OF 94-V0.
 2. COMPONENT DESIGNED TO BE PRESS-FIT INTO .062" THICK P.C. BOARD.
 3. LIGHTSOURCE: SMT LED (CML P/N: CMDA6DY7D1S YELLOW & CMDA6AR7D1S RED).



SDRC FILE NAME: 7511B50.mf1

DIM ARE IN INCHES		Ⓚ FOR INSPECTION USE ONLY		ⓧ SPC DOCUMENTATION REQ. (X R CHARTS)	
THIS DWG IS THE PROPERTY OF CHICAGO MINIATURE LAMP, INC AND IS PROPRIETARY IN GENERAL AND IN DETAIL. IT SHALL NOT BE COPIED OR ITS CONTENTS REVEALED TO OUTSIDE PARTIES WITHOUT THE WRITTEN CONSENT OF CHICAGO MINIATURE LAMP, INC.		DRAWN BY M.C.	DATE 6-8-01	PART NO 7511B50	 CHICAGO MINIATURE LAMP, INC. 147 CENTRAL AVE. HACKENSACK, NJ 07601
		CHECKED BY	DATE	MODEL NO	
		ENG. APPRV.	DATE	MOLD NO	TITLE QUAD-LEVEL LIGHTPIPE
		UNLESS OTHERWISE SPECIFIED TOLERANCES ON: .XX +/- .015 .XXX +/- .010 ANGLE +/- 1 DEG.		MATERIAL	DIST. S
				FINISH	DWG NO B17181
					REV C
				SCALE 4:1	SHEET