



Chipsmall Limited consists of a professional team with an average of over 10 year of expertise in the distribution of electronic components. Based in Hongkong, we have already established firm and mutual-benefit business relationships with customers from,Europe,America and south Asia,supplying obsolete and hard-to-find components to meet their specific needs.

With the principle of “Quality Parts,Customers Priority,Honest Operation,and Considerate Service”,our business mainly focus on the distribution of electronic components. Line cards we deal with include Microchip,ALPS,ROHM,Xilinx,Pulse,ON,Everlight and Freescale. Main products comprise IC,Modules,Potentiometer,IC Socket,Relay,Connector.Our parts cover such applications as commercial,industrial, and automotives areas.

We are looking forward to setting up business relationship with you and hope to provide you with the best service and solution. Let us make a better world for our industry!



Contact us

Tel: +86-755-8981 8866 Fax: +86-755-8427 6832

Email & Skype: info@chipsmall.com Web: www.chipsmall.com

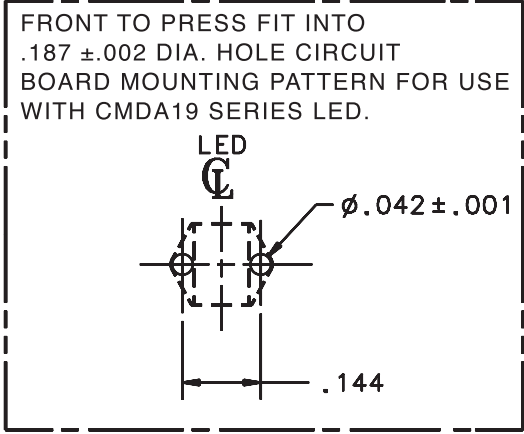
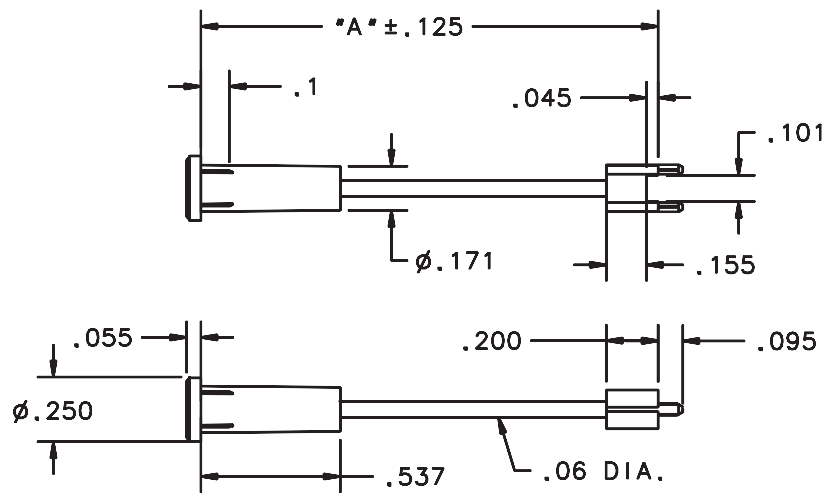
Address: A1208, Overseas Decoration Building, #122 Zhenhua RD., Futian, Shenzhen, China





7512F Series Bright ★ Pipes™ Flexpipe™ Fiber-Optic Lightpipe

DESCRIPTION AND FEATURES



Series Number Dim A length (in mm)
7512FPR- 305 (standard model)
7512FPR- XXX*

*Note: • Standard model length is 305 mm.
Product is available in lengths of 100 - 1800 mm
in increments of 25 mm. Replace the XXX with
the length of your choice.
Minimum order quantities may apply,

- Flexible optical lightpipe with precision fiberoptics for long distance SMT LED to lens.
- Eliminates need for precision mechanical alignment of components to panel.
- 7512F is designed for use with CMDA19 series Bright Chip LEDs.
- Precision engineered with ray tracing for bright, optically precise even indication and attractive appearance.
- ESD protection from circuitry for exceptional reliability.
- High contrast and wide viewing angle for greater visibility.
- Parts inserted after reflow to permit LED pad inspection before assembly.
- Large lens provides high visibility.
- Water clear optics for variety of LED colors.

147 Central Avenue
Hackensack, NJ 07601
Phone: (201) 489-8989
Fax: (201) 489-6911

18703 Dix Toledo Road
Brownstown, MI 48193

Saret Zone Franca, Edificio B
Alajuela Costa Rica

E-mail:sales@chml.com • Web Site: www.chml.com