



Chipsmall Limited consists of a professional team with an average of over 10 year of expertise in the distribution of electronic components. Based in Hongkong, we have already established firm and mutual-benefit business relationships with customers from,Europe,America and south Asia,supplying obsolete and hard-to-find components to meet their specific needs.

With the principle of “Quality Parts,Customers Priority,Honest Operation,and Considerate Service”,our business mainly focus on the distribution of electronic components. Line cards we deal with include Microchip,ALPS,ROHM,Xilinx,Pulse,ON,Everlight and Freescale. Main products comprise IC,Modules,Potentiometer,IC Socket,Relay,Connector.Our parts cover such applications as commercial,industrial, and automotives areas.

We are looking forward to setting up business relationship with you and hope to provide you with the best service and solution. Let us make a better world for our industry!



## Contact us

Tel: +86-755-8981 8866 Fax: +86-755-8427 6832

Email & Skype: info@chipsmall.com Web: www.chipsmall.com

Address: A1208, Overseas Decoration Building, #122 Zhenhua RD., Futian, Shenzhen, China



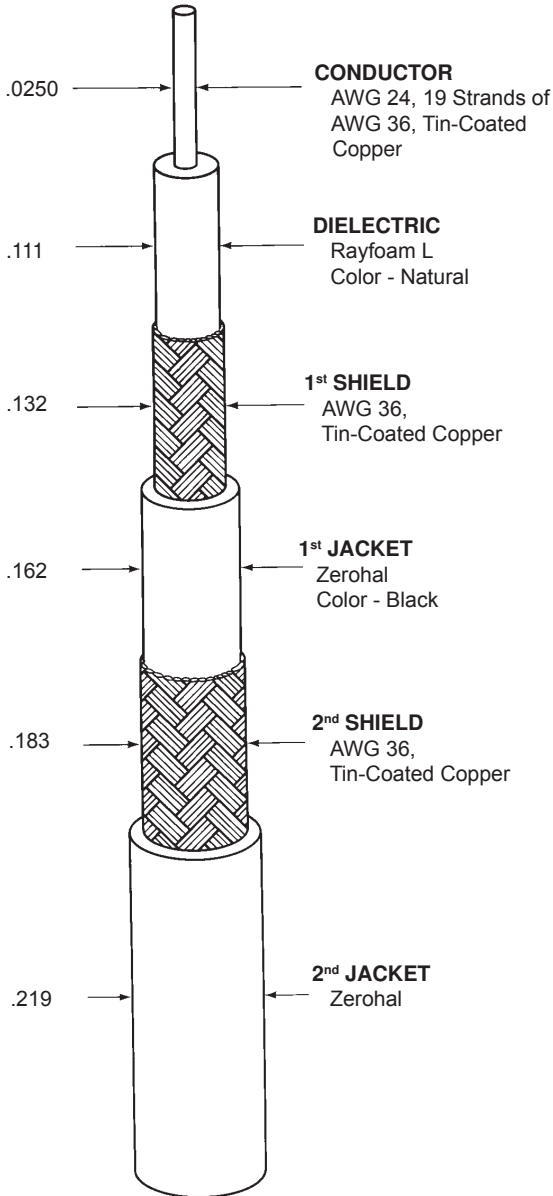
|                                      |                  |
|--------------------------------------|------------------|
| <b>SPECIFICATION CONTROL DRAWING</b> | <b>7524D5811</b> |
|--------------------------------------|------------------|

|                 |  |          |         |
|-----------------|--|----------|---------|
| <b>CHEMINAX</b> | 75 OHM, AWG 24, 19 STRANDS OF AWG 36, TRIAXIAL CABLE | Date     | 2-19-08 |
|                 |  | Revision | B       |

THIS SPECIFICATION SHEET FORMS A PART OF THE LATEST ISSUE OF RAYCHEM SPECIFICATION 1200.

|                             |                                   |
|-----------------------------|-----------------------------------|
| <b>CONSTRUCTION DETAILS</b> | <b>ELECTRICAL CHARACTERISTICS</b> |
|-----------------------------|-----------------------------------|

DIMENSIONS ARE NOMINAL VALUES IN INCHES UNLESS OTHERWISE DESIGNATED.



|                          |                                |
|--------------------------|--------------------------------|
| CHARACTERISTIC IMPEDANCE | 75 ± 3 ohms, Method B          |
| CAPACITANCE              | 17.4 pF/ft. (nominal) at 1 kHz |
| VELOCITY OF PROPAGATION  | 78% (nominal)                  |

**ADDITIONAL REQUIREMENTS**

**ELECTRICAL**

|  |  |
|--|--|
| CONDUCTOR RESISTANCE                           | 24.8 ohms/1000 ft. (nominal)             |
| INSULATION RESISTANCE<br>(CONDUCTOR TO SHIELD) | 10,000 megohms (minimum)<br>for 1000 ft. |
| JACKET FLAWS                                   |  |
| SPARK TEST                                     | 1.0 kV (rms)                             |
| IMPULSE TEST                                   | 6.0 kV (peak)                            |
| VOLTAGE WITHSTAND                              |  |
| CONDUCTOR TO SHIELD                            | 1000 volts (rms) (minimum)               |
| SHIELD TO SHIELD                               | 500 volts (rms) (minimum)                |

**ENVIRONMENTAL**

|   |                            |
|---|----------------------------|
| FLAMMABILITY                              | Method B                   |
| HEAT SHOCK                                | 225°C                      |
| LOW TEMPERATURE-COLD BEND                 | -30°C/6.00 inch mandrel    |
| VOLTAGE WITHSTAND<br>(Post Environmental) | 1000 volts (rms), 1 minute |

**PHYSICAL**

|                                  |                                    |
|----------------------------------|------------------------------------|
| INSULATION (DIELECTRIC)          |                                    |
| ELONGATION                       | 50% (minimum)                      |
| TENSILE STRENGTH                 | 1000 lbf/in <sup>2</sup> (minimum) |
| JACKET (EACH)                    |                                    |
| ELONGATION                       | 150% (minimum)                     |
| TENSILE STRENGTH                 | 1200 lbf/in <sup>2</sup> (minimum) |
| 1 <sup>st</sup> JACKET THICKNESS | .015 inch (nominal)                |
| 2 <sup>nd</sup> JACKET THICKNESS | .018 inch (nominal)                |
| SHIELD COVERAGE (EACH)           | 90% (minimum)                      |

Outer jacket color will be black (designated by a "-0" appended to the part number, e.g. 7524D5811-0) unless otherwise specified.

Designate outer jacket color with a dash number in accordance with MIL-STD-681. Other codes and suffixes may be added to the part number, as necessary, to capture any additional requirements imposed by the purchase order.

|        |                             |
|--------|-----------------------------|
| WEIGHT | 36.2 lbs/1000 ft. (nominal) |
|--------|-----------------------------|

Users should evaluate the suitability of this product for their application. Specifications are subject to change without notice. Tyco Electronics also reserves the right to make changes in materials or processing, which do not affect compliance with any specification, without notification to Buyer.

The TE logo, Tyco Electronics, Cheminax, Raychem, Rayfoam and Zerohal are trademarks.



**Raychem Wire & Cable**  
501 Oakside Avenue  
Redwood City, California 94063-3800  
1-800-227-8816 Fax: 1-650-361-6297

THIS SPECIFICATION SHEET TAKES PRECEDENCE OVER DOCUMENTS REFERENCED HEREIN. REFERENCED DOCUMENTS SHALL BE OF THE ISSUE IN EFFECT ON DATE OF INVITATION FOR BID.