



Chipsmall Limited consists of a professional team with an average of over 10 year of expertise in the distribution of electronic components. Based in Hongkong, we have already established firm and mutual-benefit business relationships with customers from,Europe,America and south Asia,supplying obsolete and hard-to-find components to meet their specific needs.

With the principle of “Quality Parts,Customers Priority,Honest Operation,and Considerate Service”,our business mainly focus on the distribution of electronic components. Line cards we deal with include Microchip,ALPS,ROHM,Xilinx,Pulse,ON,Everlight and Freescale. Main products comprise IC,Modules,Potentiometer,IC Socket,Relay,Connector.Our parts cover such applications as commercial,industrial, and automotives areas.

We are looking forward to setting up business relationship with you and hope to provide you with the best service and solution. Let us make a better world for our industry!



Contact us

Tel: +86-755-8981 8866 Fax: +86-755-8427 6832

Email & Skype: info@chipsmall.com Web: www.chipsmall.com

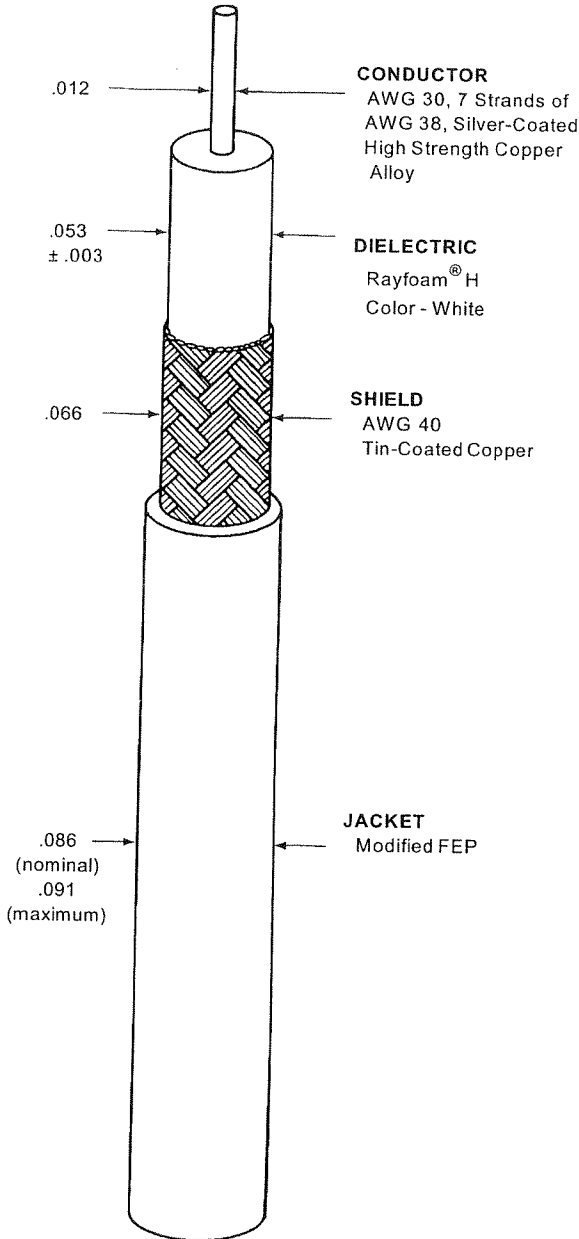
Address: A1208, Overseas Decoration Building, #122 Zhenhua RD., Futian, Shenzhen, China



THIS SPECIFICATION SHEET FORMS A PART OF THE LATEST ISSUE OF RAYCHEM SPECIFICATION 1200.

CONSTRUCTION DETAILS

DIMENSIONS ARE NOMINAL VALUES IN INCHES UNLESS OTHERWISE DESIGNATED.



ELECTRICAL CHARACTERISTICS

| | |
|--------------------------|-----------------------|
| CHARACTERISTIC IMPEDANCE | 75 ± 5 ohms, Method B |
| CAPACITANCE | 17.8 pF/ft. (nominal) |
| VELOCITY OF PROPAGATION | 76% (nominal) |

ADDITIONAL REQUIREMENTS

ELECTRICAL

| | |
|-----------------------------------|--|
| CONDUCTOR RESISTANCE | 116. ohms/1000 ft. (maximum) |
| INSULATION RESISTANCE | 10,000 megohms (minimum) for 1000 ft. |
| JACKET FLAWS | |
| SPARK TEST | 1.0 kV (rms) |
| IMPULSE TEST | 6.0 kV (peak) |
| VOLTAGE WITHSTAND (DIELECTRIC) | 1000 volts (minimum) |

ENVIRONMENTAL

| | |
|---|----------------------------|
| FLAMMABILITY | Method B |
| HEAT SHOCK | 225°C |
| LOW TEMPERATURE- COLD BEND | -55°C/2.50 inch mandrel |
| VOLTAGE WITHSTAND (POST ENVIRONMENTAL) | 1000 volts (rms), 1 minute |

PHYSICAL

| | |
|-------------------------|------------------------------------|
| INSULATION (DIELECTRIC) | |
| ELONGATION | 50% (minimum) |
| TENSILE STRENGTH | 600 lbf/in ² (minimum) |
| JACKET | |
| ELONGATION | 200% (minimum) |
| TENSILE STRENGTH | 2000 lbf/in ² (minimum) |
| JACKET THICKNESS | .010 inch (nominal) |
| SHIELD COVERAGE | 90% (minimum) |

| | |
|--------|----------------------------|
| WEIGHT | 6.1 lbs/1000 ft. (nominal) |
|--------|----------------------------|

Outer jacket will be black (designated by a "-9X" appended to the part number, e.g., 7530D1024-9X) unless otherwise specified.

† Designate outer jacket color with a dash number in accordance with MIL-STD-681.