



Chipsmall Limited consists of a professional team with an average of over 10 year of expertise in the distribution of electronic components. Based in Hongkong, we have already established firm and mutual-benefit business relationships with customers from,Europe,America and south Asia,supplying obsolete and hard-to-find components to meet their specific needs.

With the principle of "Quality Parts,Customers Priority,Honest Operation,and Considerate Service",our business mainly focus on the distribution of electronic components. Line cards we deal with include Microchip,ALPS,ROHM,Xilinx,Pulse,ON,Everlight and Freescale. Main products comprise IC,Modules,Potentiometer,IC Socket,Relay,Connector.Our parts cover such applications as commercial,industrial, and automotives areas.

We are looking forward to setting up business relationship with you and hope to provide you with the best service and solution. Let us make a better world for our industry!



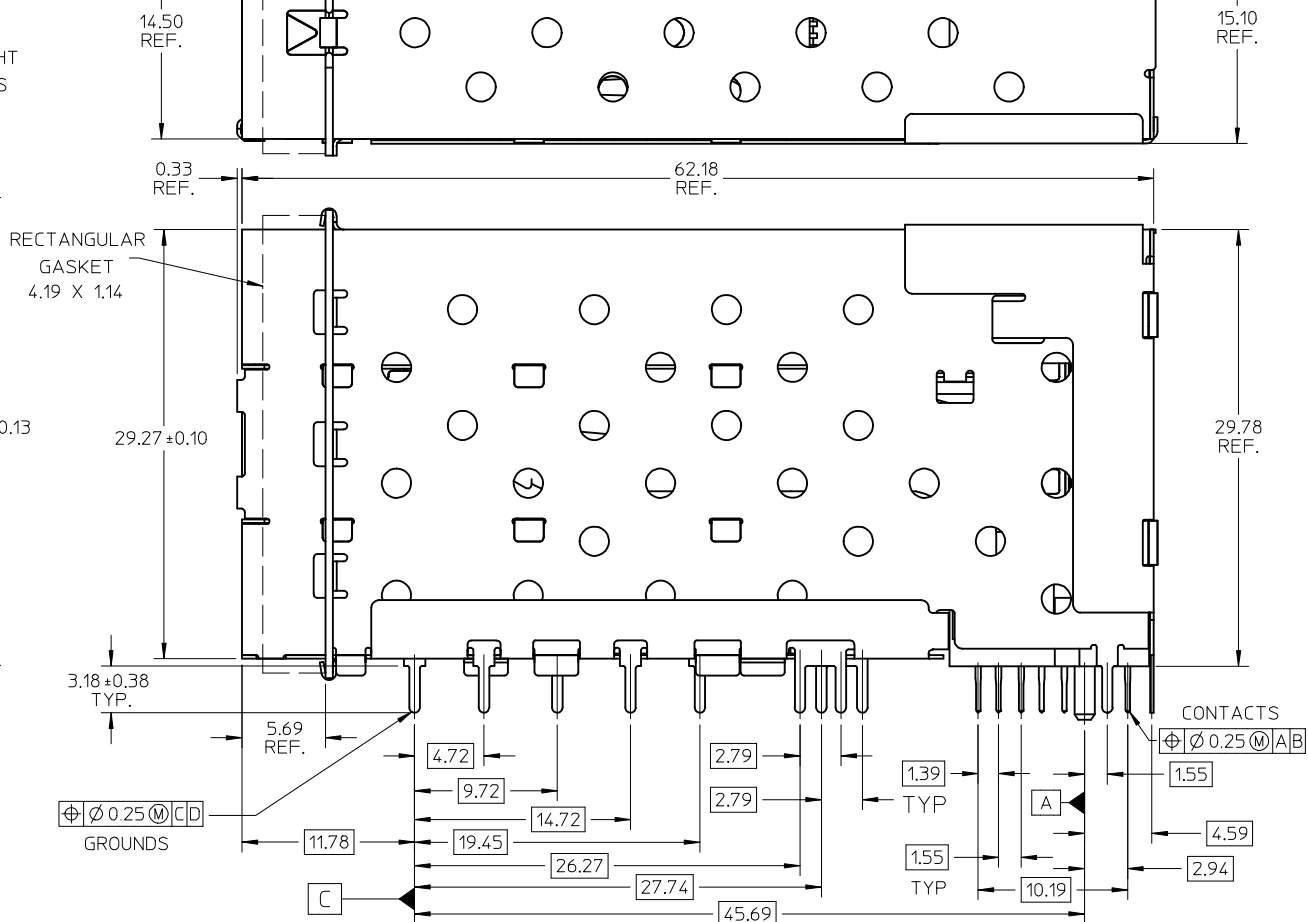
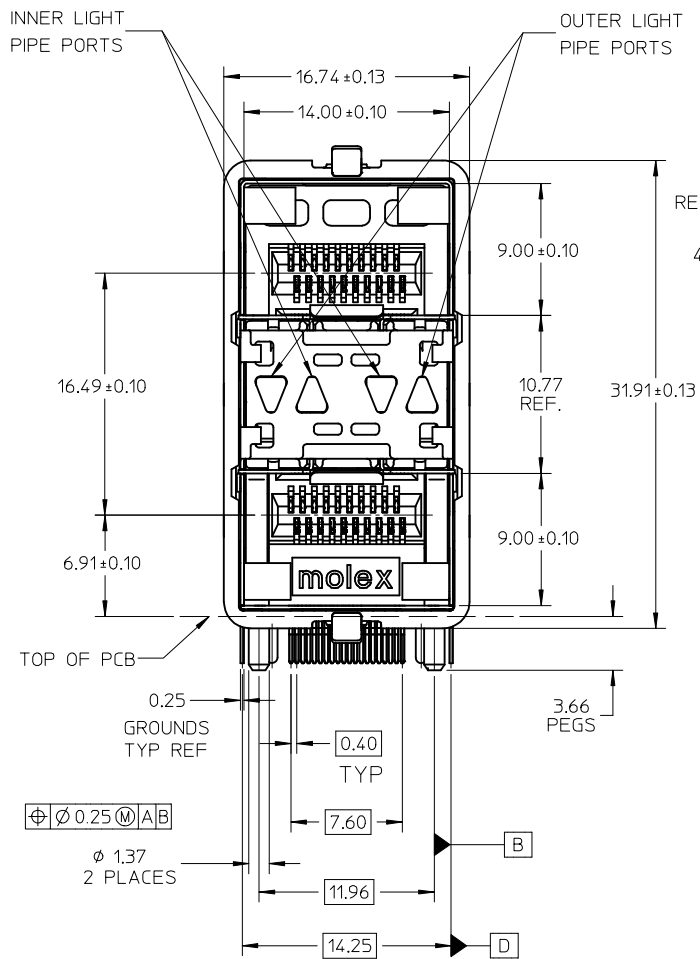
Contact us

Tel: +86-755-8981 8866 Fax: +86-755-8427 6832

Email & Skype: info@chipsmall.com Web: www.chipsmall.com

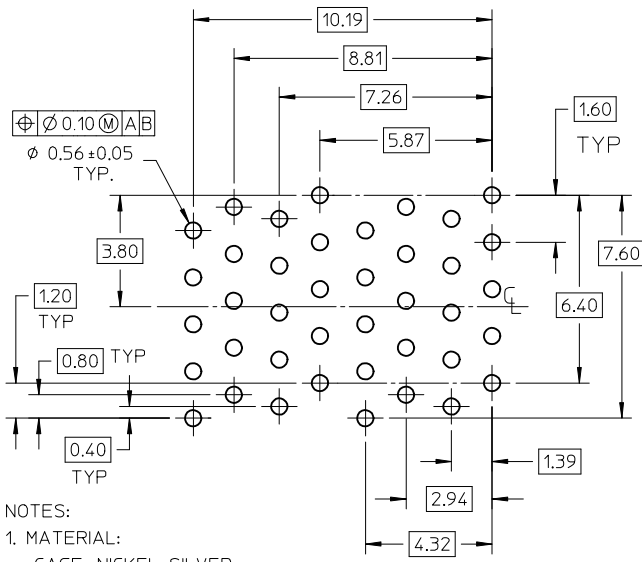
Address: A1208, Overseas Decoration Building, #122 Zhenhua RD., Futian, Shenzhen, China





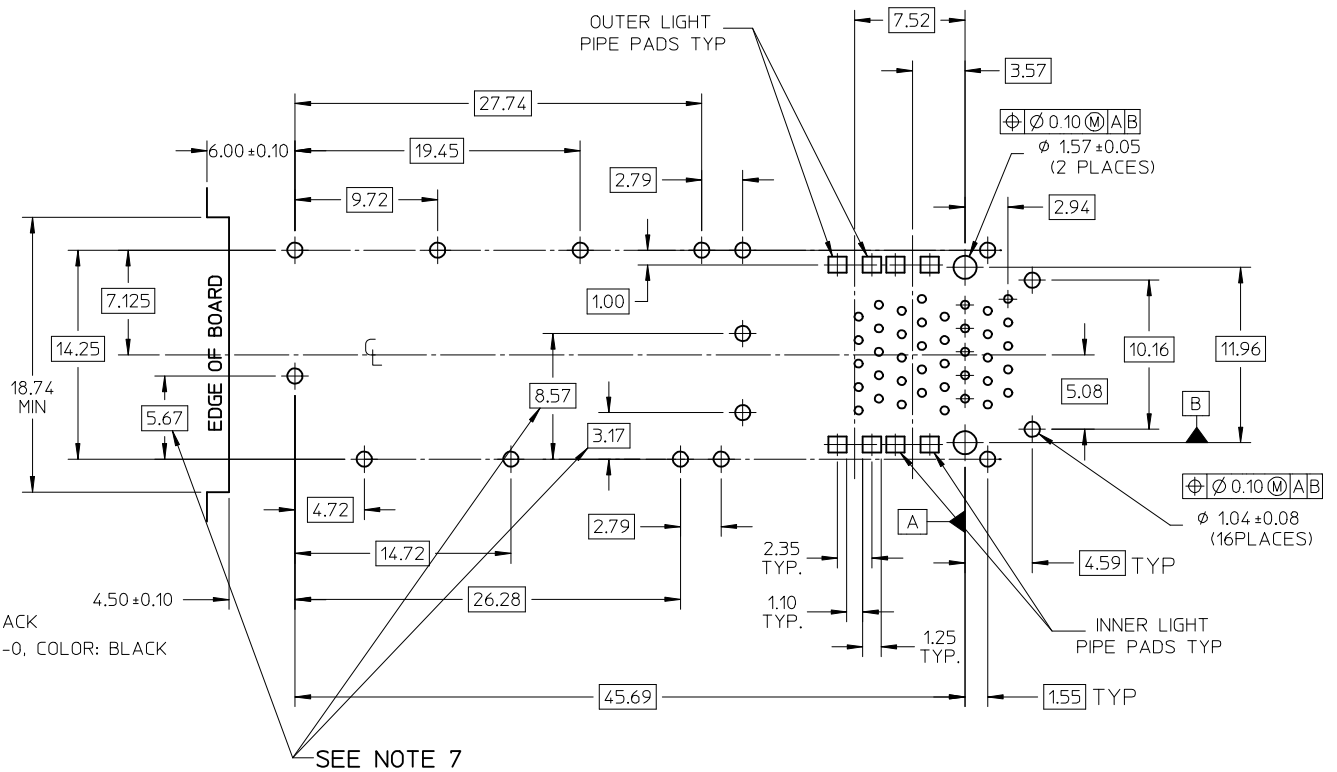
ADD NOTE 8 EC NO: UCP2008-0867 DRAWN BY: IRARRA 2007/11/13 CHKD: BBARKER 2007/11/30 APPR: SMILLER 2007/12/03	QUALITY SYMBOLS ▽=0 ▽=0	GENERAL TOLERANCES (UNLESS SPECIFIED) mm INCH 4 PLACES ± --- ± --- 3 PLACES ± --- ± --- 2 PLACES ± 0.25 ± --- 1 PLACE ± --- ± --- ANGULAR ± 5 °	DIMENSION STYLE MM ONLY	SCALE 3:1	DESIGN UNITS METRIC	THIRD ANGLE PROJECTION	
	DRAWN BY: JLONG CHECKED BY: JLONG APPROVED BY: REGNIER	DATE: 08-28-03 DATE: 08-28-03 DATE: 08-29-03	TITLE STACKED SFP 2X1 TALL ASSEMBLY WITH SOLDER TAILS AND LIGHT PIPES	MATERIAL NO. 753100001	DOCUMENT NO. SD-75310-100	SHEET NO. 1 OF 3	MOLEX INCORPORATED
	DRAFT WHERE APPLICABLE MUST REMAIN WITHIN DIMENSIONS	SIZE B	THIS DRAWING CONTAINS INFORMATION THAT IS PROPRIETARY TO MOLEX INCORPORATED AND SHOULD NOT BE USED WITHOUT WRITTEN PERMISSION				

TERMINAL TAIL PATTERN



NOTES:

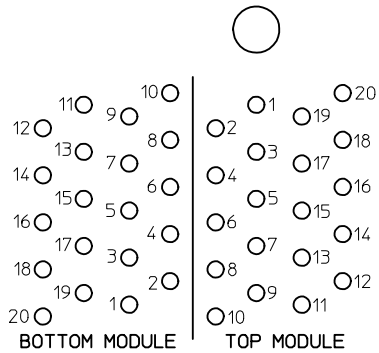
1. MATERIAL:
 - CAGE: NICKEL SILVER
 - SFP HOUSING: GLASS FILLED THERMOPLASTIC,UL: 94 V-0, COLOR: BLACK
 - OVERMOLD FOR TERMINALS: GLASS FILLED THERMOPLASTIC,UL: 94 V-0, COLOR: BLACK
 - LIGHT PIPE HOUSING: ZINC
 - LIGHT PIPE: POLYCARBONATE UL: 94 V-0, COLOR: CLEAR
 - TERMINALS: BRASS
 - GASKET: CONDUCTIVE SILICONE
2. FINISHES:
 - LIGHT PIPE HOUSING: 2.03 MICROMETERS MINIMUM NICKEL OVER 0.76 MICROMETERS MINIMUM COPPER
 - TERMINALS:
 - CONTACT AREA: 0.76 MICROMETERS MINIMUM HARD GOLD OVER NICKEL.
 - SOLDER TAIL: 1.90 MICROMETERS MINIMUM TIN OVER NICKEL.
3. REFER TO PS-75310-001 PRODUCT SPEC FOR ALL ELECTRICAL, MECHANICAL AND ENVIROMENTAL SPECIFICATIONS.
4. REFER TO PK-75310-001 FOR ALL PACKAGING SPECIFICATIONS.
5. PROCESSING: WAVE SOLDER (NOT REFLOW COMPATIBLE).
6. LIGHT PIPE PAD LAYOUT SHOWN IS FOR AN 0805 LOW-PROFILE LED PACKAGE. FOR OTHER RECOMMENDED LAYOUTS REFER TO MOLEX'S REPORT TS-75310-001.
7. THE CURVED TAILS THAT GO INTO THE HOLES LOCATED BY THESE DIMENSIONS ARE BEING ELIMINATED. TO ACCOMMODATE THIS CONVERSION, IT IS RECOMMENDED THAT BOARDS DESIGNED TO THIS PRINT REVISION INCLUDE THESE HOLES.
8. PART COMPLIES WITH COSMETIC SPECIFICATION PS-45499-002. SEE SHEET 3 SECTION Z-Z FOR SURFACE CLASSIFICATIONS. UNDERSIDE OF CAGE COMPLIES WITH CLASS "C".



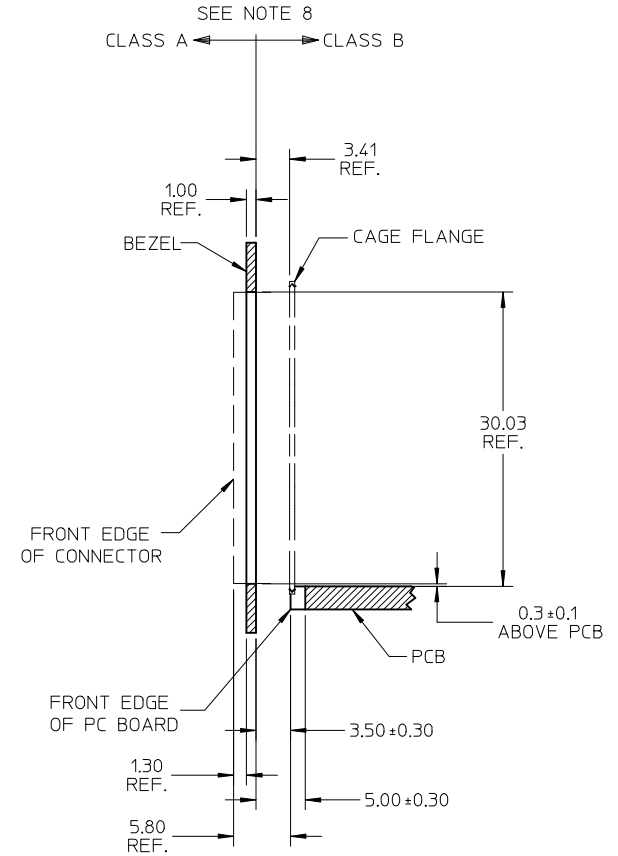
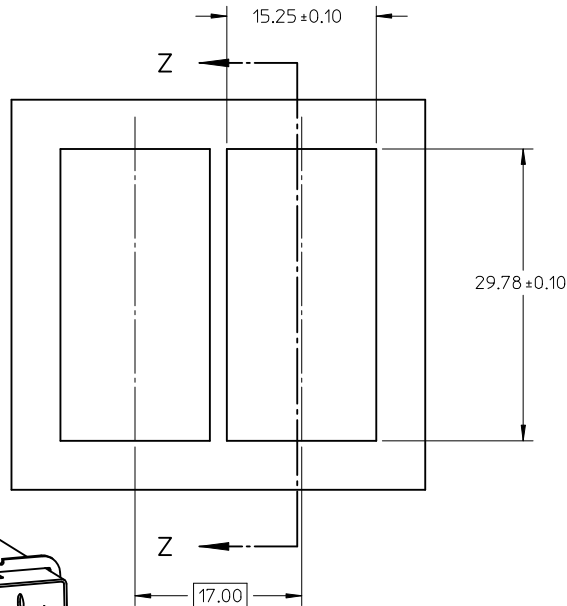
SEE NOTE 7

RECOMMENDED PCB LAYOUT
PCB THICKNESS 2.36
COMPONENT SIDE

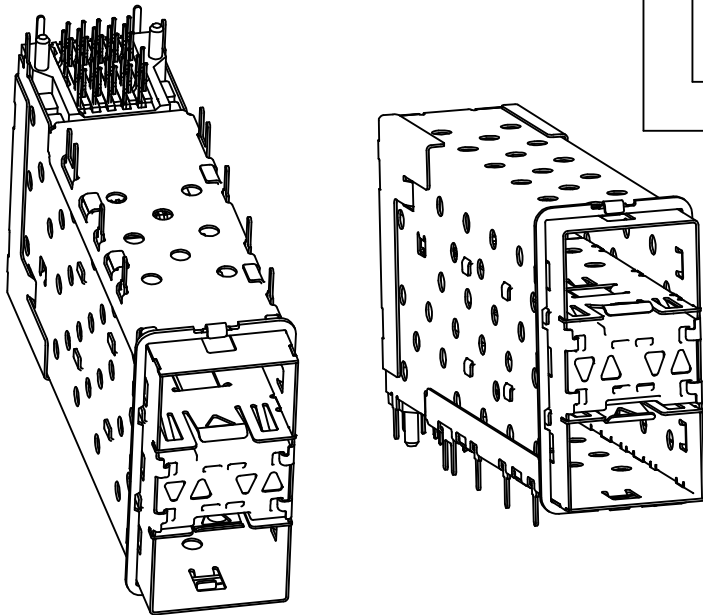
ADD NOTE 8 EC NO: UCP2008-0867 DRW:MS IBARRA 2007/11/13 CHKD:BBARKER 2007/11/20 APPR:SMILLER 2007/12/03	QUALITY SYMBOLS ▽=0 ▽=0	GENERAL TOLERANCES (UNLESS SPECIFIED)		DIMENSION STYLE MM ONLY		SCALE 3:1	DESIGN UNITS METRIC	THIRD ANGLE PROJECTION	
		4 PLACES	± ---	± ---	DRAWN BY JLONG	DATE 08-28-03	TITLE STACKED SFP 2X1 TALL ASSEMBLY WITH SOLDER TAILS AND LIGHT PIPES MOLEX INCORPORATED		
		3 PLACES	± ---	± ---	CHECKED BY JLONG	DATE 08-28-03			
		2 PLACES	± 0.25	± ---	APPROVED BY REGNIER	DATE 08-29-03	MATERIAL NO. 753100001	DOCUMENT NO. SD-75310-100	SHEET NO. 2 OF 3
1 PLACE	± ---	± ---	ANGULAR ± 5 °		DRAFT WHERE APPLICABLE MUST REMAIN WITHIN DIMENSIONS THIS DRAWING CONTAINS INFORMATION THAT IS PROPRIETARY TO MOLEX INCORPORATED AND SHOULD NOT BE USED WITHOUT WRITTEN PERMISSION				



CONNECTOR PIN-OUT
COMPONENT SIDE OF BOARD



SECTION Z-Z



COSMETIC CLASS EC NO: UCP2008-0867 DRWN:MSIBARRA 2007/11/13 CHKD:BBARKER 2007/11/30 APPR:SMILLER 2007/12/03	QUALITY SYMBOLS	GENERAL TOLERANCES (UNLESS SPECIFIED)	SCALE 2:1	DESIGN UNITS METRIC	THIRD ANGLE PROJECTION	REVISE ON CAD ONLY	
	DESCRIPTION ▽ - 0 ∇ - 0	mm INCH	DIMENSION STYLE MM ONLY		TITLE		
		4 PLACES ± --- ± ---	DRAWN BY DATE		STACKED SFP 2X1 TALL ASSEMBLY WITH SOLDER TAILS AND LIGHT PIPES MOLEX INCORPORATED		
		3 PLACES ± --- ± ---	JLONG 08-28-03				
2 PLACES ± 0.25 ± ---	CHECKED BY DATE						
1 PLACE ± --- ± ---	ANGULAR ± 5 °		JLONG 08-28-03		MATERIAL NO.	DOCUMENT NO.	SHEET NO.
D	REV	DRAFT WHERE APPLICABLE MUST REMAIN WITHIN DIMENSIONS	APPROVED BY DATE		753100001	SD-75310-100	3 OF 3
			REGNIER 08-29-03		THIS DRAWING CONTAINS INFORMATION THAT IS PROPRIETARY TO MOLEX INCORPORATED AND SHOULD NOT BE USED WITHOUT WRITTEN PERMISSION		