



Chipsmall Limited consists of a professional team with an average of over 10 year of expertise in the distribution of electronic components. Based in Hongkong, we have already established firm and mutual-benefit business relationships with customers from,Europe,America and south Asia,supplying obsolete and hard-to-find components to meet their specific needs.

With the principle of “Quality Parts,Customers Priority,Honest Operation,and Considerate Service”,our business mainly focus on the distribution of electronic components. Line cards we deal with include Microchip,ALPS,ROHM,Xilinx,Pulse,ON,Everlight and Freescale. Main products comprise IC,Modules,Potentiometer,IC Socket,Relay,Connector.Our parts cover such applications as commercial,industrial, and automotives areas.

We are looking forward to setting up business relationship with you and hope to provide you with the best service and solution. Let us make a better world for our industry!



Contact us

Tel: +86-755-8981 8866 Fax: +86-755-8427 6832

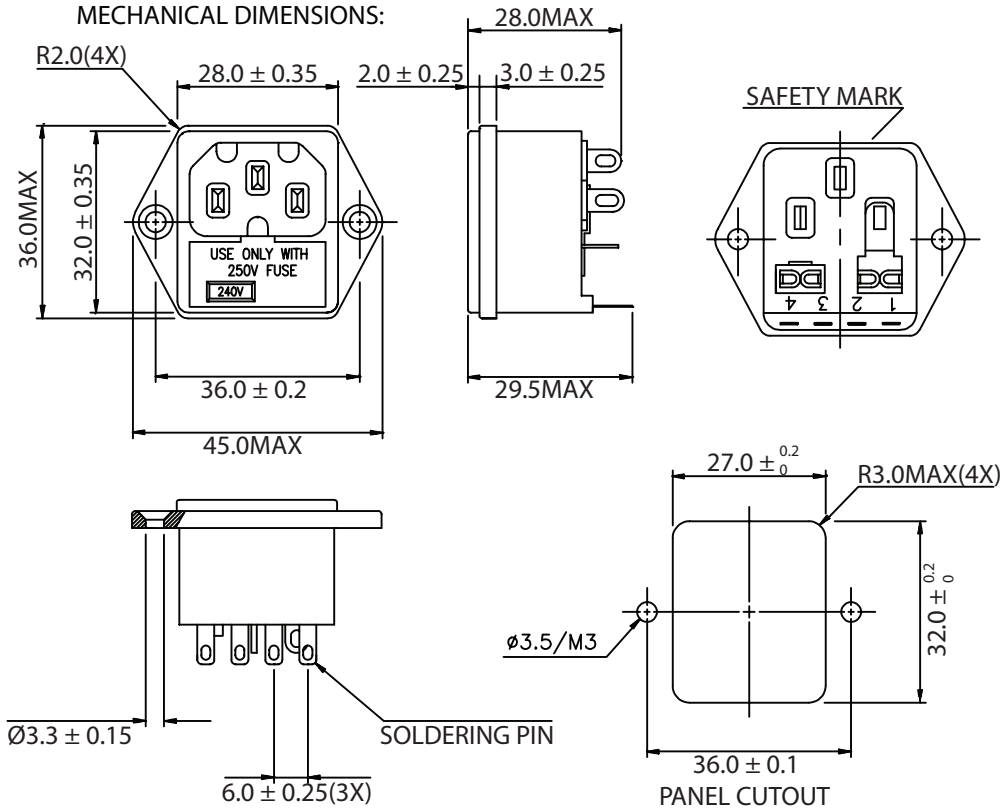
Email & Skype: info@chipsmall.com Web: www.chipsmall.com

Address: A1208, Overseas Decoration Building, #122 Zhenhua RD., Futian, Shenzhen, China



THESE DRAWINGS ARE THE PROPERTY OF QUALTEK ELECTRONICS AND NOT TO BE REPRODUCED FOR OR COMMUNICATED TO A THIRD PARTY WITHOUT THE EXPRESS WRITTEN PERMISSION OF AN OFFICER OF QUALTEK ELECTRONICS.

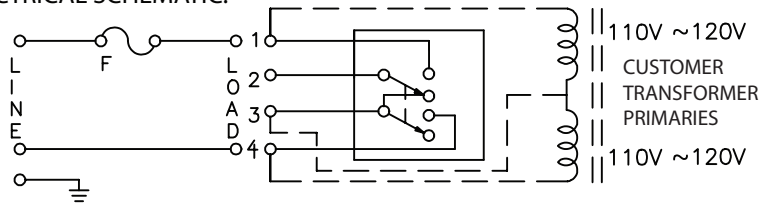
REVISION			
REV.	DESCRIPTION	DATE	APPROVED
B	RoHS Compliancy	06-01-06	DP



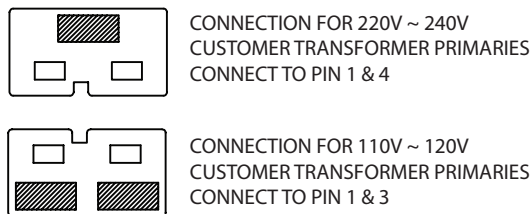
ELECTRICAL CHARACTERISTICS:

- 1-1. VOLTAGE RATING.....250VAC
- 1-2. CURRENT RATING
 - A. @ 250 VAC10 A RMS MAX
- 1-3. OPERATING FREQUENCY..... 50-60Hz
- 1-4. HIPOT RATING (FOR ONE MINUTE)
 - A. LINE & NEUTRAL TO GROUND.....2000 VDC
 - B. LINE TO NEUTRAL.....2000 VDC
- 1-5. MINIMUM INSULATION RESISTANCE: @ 500VDC
 - A. LINE & NEUTRAL TO GROUND.....100M OHM
 - B. LINE TO NEUTRAL.....100M OHM
- 1-6. OPERATING TEMPERATURE -25°C TO +85°C
- 1-7. RoHS COMPLIANT

ELECTRICAL SCHEMATIC:



COPPER PLATE LAYOUT OF PCB FOR VOLTAGE SELECTOR



CONTROLLED

Dim range (mm)	Tolerance +/- (mm)	Qualtek Electronics Corp. PPC DIVISION		
		Part Number:	755-00/28	RoHS Compliant
0-1	0.15	Description: MULTI-FUNCTION MODULE		
1-6	0.20			
6-18	0.30	UNIT: mm	REV. B	
18-50	0.50			
50-120	0.70	Drawn / Date	Checked / Date	Approved / Date
120-250	0.90	B.ZHANG 07-08-03	07-08-03	JJH / 07-08-03
250-500	1.20			