



Chipsmall Limited consists of a professional team with an average of over 10 year of expertise in the distribution of electronic components. Based in Hongkong, we have already established firm and mutual-benefit business relationships with customers from,Europe,America and south Asia,supplying obsolete and hard-to-find components to meet their specific needs.

With the principle of "Quality Parts,Customers Priority,Honest Operation,and Considerate Service",our business mainly focus on the distribution of electronic components. Line cards we deal with include Microchip,ALPS,ROHM,Xilinx,Pulse,ON,Everlight and Freescale. Main products comprise IC,Modules,Potentiometer,IC Socket,Relay,Connector.Our parts cover such applications as commercial,industrial, and automotives areas.

We are looking forward to setting up business relationship with you and hope to provide you with the best service and solution. Let us make a better world for our industry!



Contact us

Tel: +86-755-8981 8866 Fax: +86-755-8427 6832

Email & Skype: info@chipsmall.com Web: www.chipsmall.com

Address: A1208, Overseas Decoration Building, #122 Zhenhua RD., Futian, Shenzhen, China



P/N: 75503-0300

Copyright

© 2016, FLIR Systems, Inc.

All rights reserved worldwide. Names and marks appearing herein are either registered trademarks or trademarks of FLIR Systems and/or its subsidiaries. All other trademarks, trade names or company names referenced herein are used for identification only and are the property of their respective owners.

Document identity

Publ. No.: 75503-0300

Release:

Commit: 36767

Language: en-US

Modified: 2016-07-04

Formatted: 2016-07-04

Website

<http://www.flir.com>

Customer support

<http://support.flir.com>

Disclaimer

Specifications subject to change without further notice. Camera models and accessories subject to regional market considerations. License procedures may apply. Products described herein may be subject to US Export Regulations. Please refer to exportquestions@flir.com with any questions.



Gimbal (Zenmuse XT)	
Name	Zenmuse XT
Dimensions	103 mm × 74 mm × 102 mm (4.1 in. × 2.9 in. × 4.0 in.)
Weight	270 g (0.60 lb.)
Angular vibration range	±0.03°
Mount	Detachable
Controllable range	<ul style="list-style-type: none"> Tilt: +35° to -90° Pan: ±320° Roll: ±15°
Mechanical range	<ul style="list-style-type: none"> Tilt: +45° to -135° Pan: ±320° Roll: ±45°
Maximum controllable speed	120°/s

Camera (Zenmuse XT)	
Thermal imager	Uncooled VOx microbolometer
FPA/digital video display formats	336 × 256 pixels
Analog video display formats	<ul style="list-style-type: none"> 720 × 480 pixels (NTSC) 720 × 576 pixels (PAL)
Pixel pitch	17 μm
Spectral band	7.5–13.5 μm
Frame rates	<ul style="list-style-type: none"> 30/60 Hz (NTSC) 25/50 Hz (PAL)
Sensitivity (NEΔT)	<50 mK at f/1.0
Accuracy	±20°C (±36°F)
Scene range (high gain)	-25 to +100°C (-13 to +212°F)
Scene range (low gain)	-40 to +550°C (-40 to +1022°F)
Spot meter	Temperatures measured in central 4 × 4 pixels



FLIR Aerial IR Gimbal Zenmuse XT 6.8 mm (30 Hz)

P/N: 75503-0300

© 2016, FLIR Systems, Inc.

#75503-0300; r. /36767; en-US

Camera (Zenmuse XT)	
File storage	Micro SD card. 16 GB Class 10 included, up to 32 GB supported.
Data logging	<ul style="list-style-type: none"> 8-bit AGC + LUT video at camera frame rate packaged in either .MOV or .MP4 wrappers. 8-bit AGC + LUT still images in .JPG. 14-bit TIFF raw still images with FLIR-specified metadata.
Image processing and display controls	
NTSC/PAL (field switchable)	Yes
Image optimization	Yes
Digital detail	Yes
Enhancement	
Polarity control (black hot/white hot)	Yes
Color and monochrome palettes (LUTs)	Yes
Digital zoom	2x, 4x, 8x
Lens model	
Focal length	6.8 mm
f number	f/1.4
FoV	49.1° × 37.4°
iFoV	2.519 mrad
Minimum focus distance	2.3 cm (0.9 in.)
Hyperfocal distance	1.2 m (3.9 ft.)
Hyperfocal depth of field	0.6 m (2.0 ft.)
Environmental	
Operating temperature range	-10 to +40°C (+14 to +104°F)
Non-operating temperature range	-30 to +70°C (-22 to +158°F)
Temperature shock	5°C/min (41°F/min)
Humidity	5–95%
Certifications	
Compliance	http://www.dji.com/euro-compliance
DJI GO app	
Mobile device system requirements	<ul style="list-style-type: none"> iOS version 7.1 or later Android version 4.1.2 or later
Supported mobile devices	<ul style="list-style-type: none"> iPhone 6 Plus iPhone 6 iPhone 5S iPad Air 2 iPad Mini 3 iPad Air iPad Mini 2 iPad 4 Samsung Note 3 Samsung S5 Sony Z3 EXPERIA
<div style="border: 1px solid black; padding: 5px;"> <p> NOTE</p> <p>It is recommended that you use a tablet for the best experience</p> </div>	



FLIR Aerial IR Gimbal Zenmuse XT 6.8 mm (30 Hz)

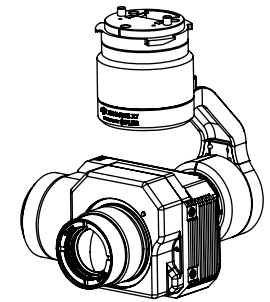
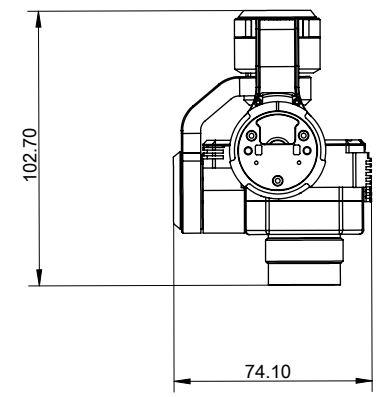
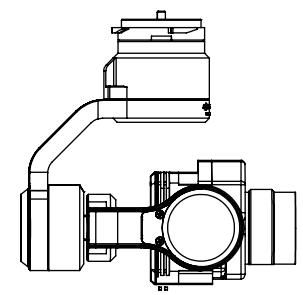
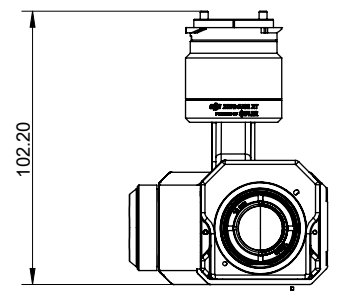
P/N: 75503-0300

© 2016, FLIR Systems, Inc.

#75503-0300; r. /36767; en-US

Documentation and firmware	
Download link	http://tinyurl.com/z8esgtc
Warranty	
Warranty	http://www.dji.com/service#warranty_period
Global trade data	
HS Code	9032896085 (Zenmuse XT)
ECCN code	6A003.b.4.b. (Zenmuse XT)
Shipping information	
Packaging type	Cardboard box
List of contents	<ul style="list-style-type: none">• Zenmuse XT thermal camera with stabilized gimbal• FLIR Tools+

其余 $\sqrt{3.2}$



					材料：	物料名称：				
					材料供应商					
				2016/2/25	材料型号					
标记	版本	更改记录	签名	日期	颜色色号	物料代码：				
设计	M0041	2016/2/25			未注尺寸公差： X.XXX : ±0.03 X.XX : ±0.05 X.X : ±0.1	部品重量				
出图	M0041	2016/2/25				单位	比例	版本	页面	
审核					mm	1:2	A1	A3	共 1 张	第 1 张
批准					深圳大疆创新科技有限公司				受控文件 授权接触	