



Chipsmall Limited consists of a professional team with an average of over 10 year of expertise in the distribution of electronic components. Based in Hongkong, we have already established firm and mutual-benefit business relationships with customers from,Europe,America and south Asia,supplying obsolete and hard-to-find components to meet their specific needs.

With the principle of “Quality Parts,Customers Priority,Honest Operation,and Considerate Service”,our business mainly focus on the distribution of electronic components. Line cards we deal with include Microchip,ALPS,ROHM,Xilinx,Pulse,ON,Everlight and Freescale. Main products comprise IC,Modules,Potentiometer,IC Socket,Relay,Connector.Our parts cover such applications as commercial,industrial, and automotives areas.

We are looking forward to setting up business relationship with you and hope to provide you with the best service and solution. Let us make a better world for our industry!



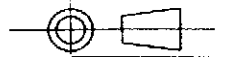
Contact us

Tel: +86-755-8981 8866 Fax: +86-755-8427 6832

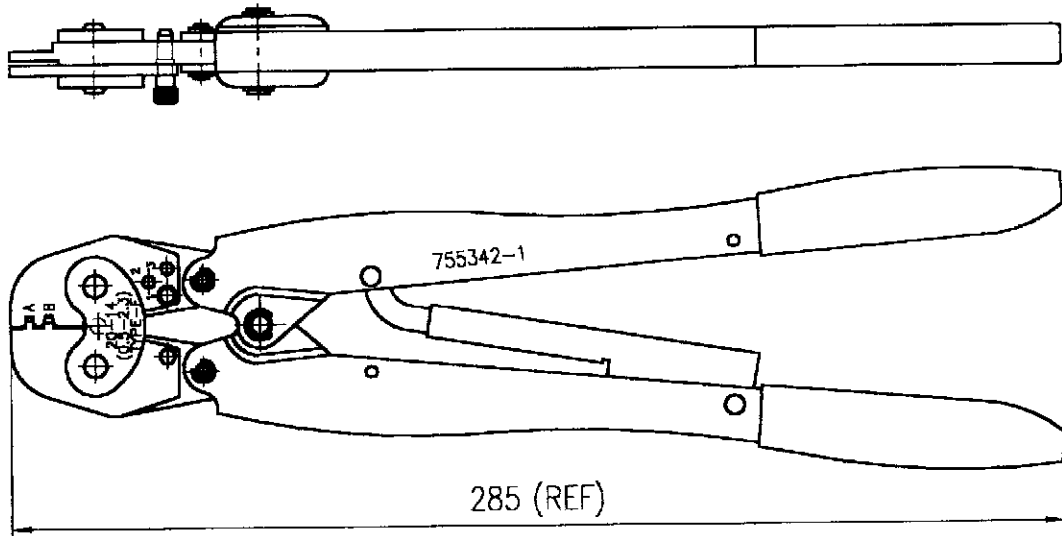
Email & Skype: info@chipsmall.com Web: www.chipsmall.com

Address: A1208, Overseas Decoration Building, #122 Zhenhua RD., Futian, Shenzhen, China





部号 (NUMBER)
755342-1



CRIMP SYMBOL	TERMINAL NO		WIRE SIZE (mm ²)	INSUL SIZE (mm)	TERMINAL C/H(mm)		TERMINAL SPEC	IS NO.
	STRIP	L.P.			WIRE	INS		
圧着部 記号	適用端子		適用電線 (mm ²)	絶縁被覆径 (mm)	芯線部圧着高さ (mm)		圧着規格	IS 番号
	連鎖状	バラ状			WIRE	INS		
A	(170233)	170265	# 20-16 (0.5-1.4)	2.2-2.8	1.25-1.43	—	114-	411-
B			# 14 (2.0-2.3)	3.0-3.4	1.60-1.87	—	5032	5372

単位: 概 DIMENSIONS IN MM. DO NOT SCALE PRINT

				適合電線断面積 (WIRE RANGE) — # — mm ² (AWG # —)		尺度 (SCALE) — # —		一般公差 <table border="0"> <tr> <td>10以下</td> <td>±0.2</td> </tr> <tr> <td>10を超え 30以下</td> <td>±0.25</td> </tr> <tr> <td>30を超え 100以下</td> <td>±0.3</td> </tr> <tr> <td>100以上</td> <td>±0.5</td> </tr> </table>		10以下	±0.2	10を超え 30以下	±0.25	30を超え 100以下	±0.3	100以上	±0.5
10以下	±0.2																
10を超え 30以下	±0.25																
30を超え 100以下	±0.3																
100以上	±0.5																
				絶縁外径 (INSULATION DIA.) — # — mm		AMP 日本エー・エル・ピー株式会社 Kawasaki, Japan											
				材料 (MATERIAL) — # —													
F300-0742-98		R.S	K.S	4/23 '98	仕上 (FINISH) — # —		LOC	SIZE	番号 (NO)	REV.							
O1 REDRAWN WITH CHANGE		DR.	CHK.	DATE	名称 (NAME)		J	A4	755342-1	01							
DR. (11 NOV '97) R. SUZUKI		APP S. YABE		DOUBLE ACTION HAND TOOL ASS'Y													
CHK. K. SHIMADA		REL K. KOMURO															