



Chipsmall Limited consists of a professional team with an average of over 10 year of expertise in the distribution of electronic components. Based in Hongkong, we have already established firm and mutual-benefit business relationships with customers from,Europe,America and south Asia,supplying obsolete and hard-to-find components to meet their specific needs.

With the principle of “Quality Parts,Customers Priority,Honest Operation,and Considerate Service”,our business mainly focus on the distribution of electronic components. Line cards we deal with include Microchip,ALPS,ROHM,Xilinx,Pulse,ON,Everlight and Freescale. Main products comprise IC,Modules,Potentiometer,IC Socket,Relay,Connector.Our parts cover such applications as commercial,industrial, and automotives areas.

We are looking forward to setting up business relationship with you and hope to provide you with the best service and solution. Let us make a better world for our industry!



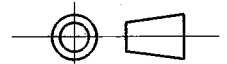
Contact us

Tel: +86-755-8981 8866 Fax: +86-755-8427 6832

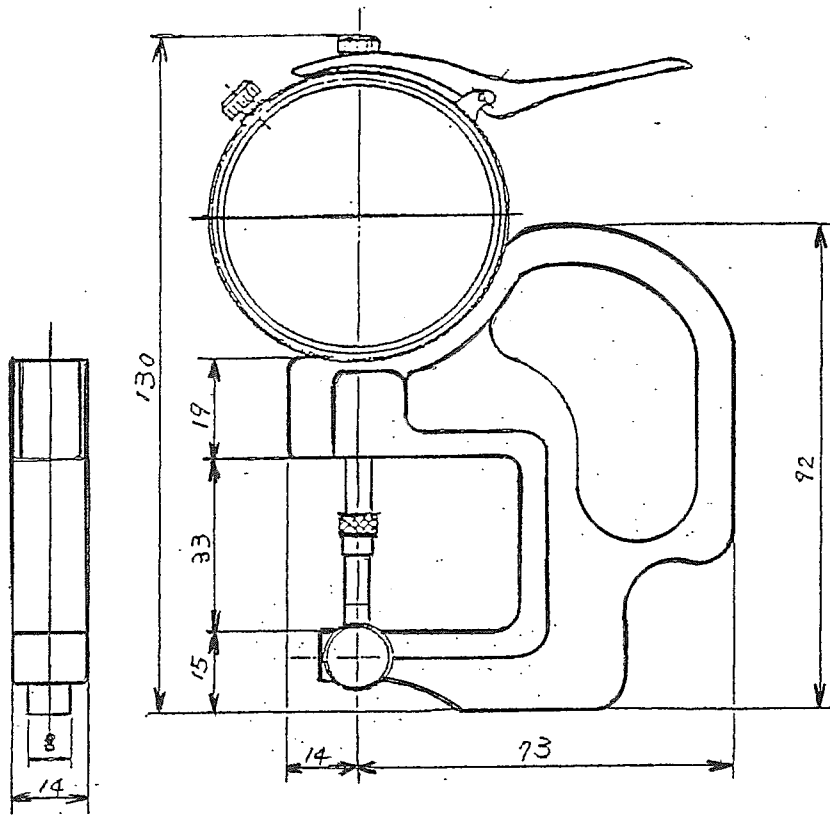
Email & Skype: info@chipsmall.com Web: www.chipsmall.com

Address: A1208, Overseas Decoration Building, #122 Zhenhua RD., Futian, Shenzhen, China





番号 (NUMBER)
755359



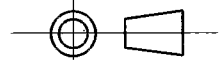
NOTES

- 取扱説明書 (INSTRUCTION SHEET)
411-5359

単位: 概 DIMENSIONS IN MM. DO NOT SCALE PRINT

				包含電線断面積 (WIRE RANGE) # mm ² (AWG)		尺度 (SCALE) 一般公差	
				被覆外径 (INSULATION DIA.) # mm		10以下 ±0.2 10を超え 30以下 ±0.25 30を超え 100以下 ±0.3 角 度 ±3°	
				材料 (MATERIAL) #		tyco Tyco Electronics AMP K.K. Electronics Kawasaki, Japan	
				仕上 (FINISH) #		LOC J A4	SIZE 755359
				名称 (NAME) 圧接深さゲージ DIAL DEPTH GAUGE		番号 (NO) 755359	REV. 06
DR.	15 JUL 98	DE.					
CHK.	17 JUL 98	APP.	21 JUL 98				
LTR.	変更 (REVISION RECORD)	DR.	CHK.	DATE			
06	ADDED -12.-13 F500-1080-02	S.N	SS	9 SEP 2002			
05	REDRAWN WITH ADDED, NOTE F100-1393-98	HY	H.T	17 JUL 98			

PRINT DIST



番号 (NUMBER)
755359

PART NO	適用 コネクター (PART NO)
755359-1	CT (173977-□, 173983-□, 173985-□)
755359-2	ULTREX2.0 (173610-□) INACTIVE
755359-3	ULTREX2.5 (172685-□)
755359-4	ASL LOOSE & CAP (173114-□ 173116-□ 173123-□ 173124-□)
755359-5	ASL LOOSE PECE CONT (173114-□ 173116-□ 173123-□ 173124-□)
755359-6	CHAMP (229974-□ 229975-□ 552032-□ 552274-□ 552275-□ 352284-□ 552314-□ 552390-□ 552391-□)
755359-7	MTEI (172051-□ 172052-□ 172053-□ 172054-□ 172185-□ 172186-□ 172187-□ 172188-□)
755359-8	ULTREX DOUBLE ROW (172866-□)
755359-9	MIS (770630-□, 770631-□, 770632-□)
1-755359-0	U-PMT CONN (3.96mm) (□-178966-□)
1-755359-1	MINI CT (□-353292-□)
1-755359-2	WTB 0.8mm 2P PLUG (1612537-□) ⑥
1-755359-3	WTB 0.8mm REC (1612552-□) ⑥

単位：耗 DIMENSIONS IN MM. DO NOT SCALE PRINT

SEE SHEET 1 of 2			
LTR.	変更 (REVISION RECORD)	DR.	CHK.
DR.	15. JUL 98 (H. MASUDA)	DE.	21 JUL 98
CHK.	17 JUL 98 H. YAGAWA	APP.	<i>[Signature]</i>

総合電線断面積 (WIRE RANGE) # mm ² (AWG)	R度 (SCALE) #	一般公差 { 10以下 ±0.2 10を超え 30以下 ±0.25 30を超え 100以下 ±0.3 角 度 ±3° }
被覆外径 (INSULATION DIA.) # mm	tyco Tyco Electronics AMP K.K. Electronics Kawasaki, Japan	
材料 (MATERIAL) #	LOC SIZE 番号 (NO) JA4 755359	REV. 06
仕上 (FINISH) #	名称 (NAME) 圧接深さゲージ DIAL DEPTH GAUGE	

PRINT DIST