



Chipsmall Limited consists of a professional team with an average of over 10 year of expertise in the distribution of electronic components. Based in Hongkong, we have already established firm and mutual-benefit business relationships with customers from,Europe,America and south Asia,supplying obsolete and hard-to-find components to meet their specific needs.

With the principle of “Quality Parts,Customers Priority,Honest Operation,and Considerate Service”,our business mainly focus on the distribution of electronic components. Line cards we deal with include Microchip,ALPS,ROHM,Xilinx,Pulse,ON,Everlight and Freescale. Main products comprise IC,Modules,Potentiometer,IC Socket,Relay,Connector.Our parts cover such applications as commercial,industrial, and automotives areas.

We are looking forward to setting up business relationship with you and hope to provide you with the best service and solution. Let us make a better world for our industry!



Contact us

Tel: +86-755-8981 8866 Fax: +86-755-8427 6832

Email & Skype: info@chipsmall.com Web: www.chipsmall.com

Address: A1208, Overseas Decoration Building, #122 Zhenhua RD., Futian, Shenzhen, China

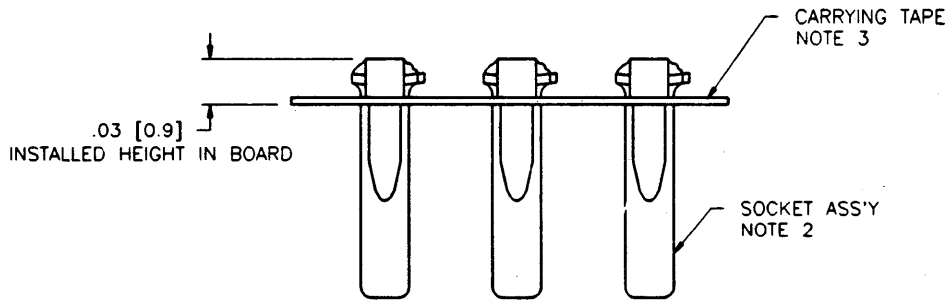
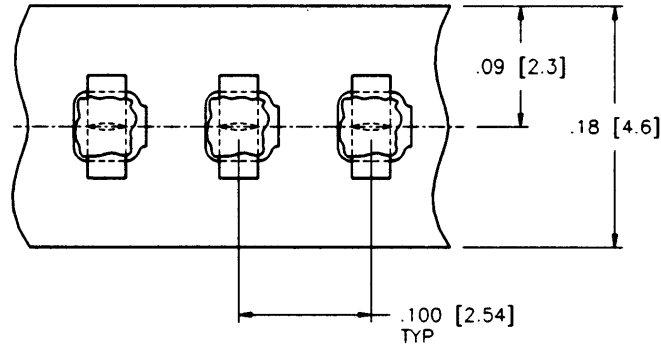


Tous droits strictement reserves. Reproduction ou communication a des tiers interdite sous quelque forme que ce soit sans autorisation ecrite du proprietaire. Propriete de ©BERG ELECTRONICS. Droits de reproduction BERG ELECTRONICS INC.



All rights strictly reserved. Reproduction or issue to third parties in any form whatever is not permitted without written authority from the proprietor. Property of ©BERG ELECTRONICS Copyright BERG ELECTRONICS INC.

PRODUCT NO.	QTY/REEL	COMMENTS
75540-001	25,000	RTV IN PRODUCT
75540-002	5,000	
75540-004	25,000	WITHOUT RTV IN PRODUCT
75540-005	5,000	



NOTES:

1. MINISERT TAPE ASS'Y AS SHOWN SUPPLIED CONTINUOUS STRIP FORM.
2. THE SOCKET ASS'Y IS IDENTICAL TO THE MINISERT SOCKET DUPONT CONN. SYST. NO. 75060.
3. CARRYING TAPE MAT'L: DUPONT KAPTON POLYIMIDE FILM #500-H, .005/0.13 THK.
4. RECOMMENDED HOLE DIA.: .050/1.27 - .060/1.52.

mat'l. code AS SHOWN				tolerances unless otherwise specified		CUSTOMER COPY	BERG ELECTRONICS	
ltr	ecn no	dr	date	linear	xx ±.01x ±.3	projection	title	
C	REDRAWN	DEW	9/16/74		xxx ±.005/xx ±.13		MINISERT TAPE ASS'Y	
D	REV	DEW	1/27/77		xxxx ±.0020.xxx ±.051		product family	COMPONENTS
E	REV	DA	1/25/80	angles	0° ± 2'	INCH/MM	size	dwg no
F	REV	EBY	1/27/86	dr	M.CLOUSER 10/13/94	scale	75540	
G	V41461	MSC	10/13/94	enr	L.FYE 10/13/94	8/1	A	sheet 1 of 1
H	V41777	SAR	11/21/94	chr	L.FYE 10/13/94			
				appd	L.FYE 10/13/94			
sheet index	revision sheet	H	1					

form no. 7530-001-103

cage code 22526