



Chipsmall Limited consists of a professional team with an average of over 10 year of expertise in the distribution of electronic components. Based in Hongkong, we have already established firm and mutual-benefit business relationships with customers from,Europe,America and south Asia,supplying obsolete and hard-to-find components to meet their specific needs.

With the principle of “Quality Parts,Customers Priority,Honest Operation,and Considerate Service”,our business mainly focus on the distribution of electronic components. Line cards we deal with include Microchip,ALPS,ROHM,Xilinx,Pulse,ON,Everlight and Freescale. Main products comprise IC,Modules,Potentiometer,IC Socket,Relay,Connector.Our parts cover such applications as commercial,industrial, and automotives areas.

We are looking forward to setting up business relationship with you and hope to provide you with the best service and solution. Let us make a better world for our industry!



## Contact us

Tel: +86-755-8981 8866 Fax: +86-755-8427 6832

Email & Skype: info@chipsmall.com Web: www.chipsmall.com

Address: A1208, Overseas Decoration Building, #122 Zhenhua RD., Futian, Shenzhen, China



## P/N: 75604-1404

### Copyright

© 2016, FLIR Systems, Inc.

All rights reserved worldwide. Names and marks appearing herein are either registered trademarks or trademarks of FLIR Systems and/or its subsidiaries. All other trademarks, trade names or company names referenced herein are used for identification only and are the property of their respective owners.

### Document identity

Publ. No.: 75604-1404

Release:

Commit: 38391

Language: en-US

Modified: 2016-11-18

Formatted: 2016-11-18

### Website

<http://www.flir.com>

### Customer support

<http://support.flir.com>

### Disclaimer

Specifications subject to change without further notice. Camera models and accessories subject to regional market considerations. License procedures may apply. Products described herein may be subject to US Export Regulations. Please refer to [exportquestions@flir.com](mailto:exportquestions@flir.com) with any questions.



<b>Aircraft</b>	
Model	Inspire 1 – T600
Weight (battery included)	2935 g (6.471 lb.)
Hovering accuracy (P mode)	<ul style="list-style-type: none"> <li>Vertical: 0.5 m (1.6 ft.)</li> <li>Horizontal: 2.5 m (8.2 ft.)</li> </ul>
Maximum angular velocity	<ul style="list-style-type: none"> <li>Pitch: 300°/s</li> <li>Yaw: 150°/s</li> </ul>
Maximum tilt angle	35°
Maximum ascent speed	5 m/s (16 ft./s)
Maximum descent speed	4 m/s (13 ft./s)
Maximum speed	22 m/s (72 ft./s) (ATTI mode, no wind)
Maximum service ceiling above sea level	4500 m (14 700 ft.) (software altitude limit: 120 m (390 ft.) above takeoff point)
Maximum wind speed resistance	10 m/s (32 ft./s)
Maximum flight time	Approximately 18 minutes
Motor model	DJI 3510
Propeller model	DJI 1345T
Indoor hovering	Enabled by default
Operating temperature range	-10 to +40°C (+14 to +104°F)
Diagonal distance	559–581 mm (22.0–22.8 in.)
Dimensions	438 mm × 451 mm × 301 mm (17.2 in. × 17.8 in. × 11.9 in.)

<b>Gimbal (Zemuse XT)</b>	
Name	Zemuse XT
Dimensions	103 mm × 74 mm × 102 mm (4.1 in. × 2.9 in. × 4.0 in.)
Weight	270 g (0.60 lb.)
Angular vibration range	±0.03°
Mount	Detachable
Controllable range	<ul style="list-style-type: none"> <li>Tilt: +35° to -90°</li> <li>Pan: ±320°</li> <li>Roll: ±15°</li> </ul>



# FLIR Aerial Commercial Building Inspector Kit, R (30 Hz)

P/N: 75604-1404

© 2016, FLIR Systems, Inc.

#75604-1404; r. /38391; en-US

<b>Gimbal (Zenmuse XT)</b>	
Mechanical range	<ul style="list-style-type: none"> <li>Tilt: +45° to -135°</li> <li>Pan: ±320°</li> <li>Roll: ±45°</li> </ul>
Maximum controllable speed	120°/s

<b>Gimbal (Zenmuse X3)</b>	
Model	Zenmuse X3
Output power (with camera)	<ul style="list-style-type: none"> <li>Static: 9 W</li> <li>In motion: 11 W</li> </ul>
Operating current	<ul style="list-style-type: none"> <li>Station: 750 mA</li> <li>Motion: 900 mA</li> </ul>
Angular vibration range	±0.03°
Mounting	Detachable
Controllable range	<ul style="list-style-type: none"> <li>Pitch: -90° to +30°</li> <li>Pan: ±320°</li> </ul>
Mechanical range	<ul style="list-style-type: none"> <li>Pitch: -125° to +45°</li> <li>Pan: ±330°</li> </ul>
Max. controllable speed	<ul style="list-style-type: none"> <li>Pitch: 120°/s</li> <li>Pan: 180°/s</li> </ul>

<b>Camera (Zenmuse XT)</b>	
Thermal imager	Uncooled VOx microbolometer
FPA/digital video display formats	640 × 512 pixels
Analog video display formats	<ul style="list-style-type: none"> <li>720 × 480 pixels (NTSC)</li> <li>720 × 576 pixels (PAL)</li> </ul>
Pixel pitch	17 μm
Spectral band	7.5–13.5 μm
Frame rates	<ul style="list-style-type: none"> <li>30 Hz (NTSC)</li> <li>25 Hz (PAL)</li> </ul>
Sensitivity (NEΔT)	<50 mK at f/1.0
Accuracy	±5°C (±9°F)
Scene range (high gain)	-25 to +135°C (-13 to +275°F)
Scene range (low gain)	-40 to 550°C (-40 to +1022°F)
Measurement area	Temperatures measured in the full image
File storage	Micro SD card. 16 GB Class 10 included, up to 32 GB supported.
Data logging	<ul style="list-style-type: none"> <li>8-bit AGC + LUT video at camera frame rate packaged in either .MOV or .MP4 wrappers.</li> <li>8-bit AGC + LUT still images in .JPG.</li> <li>14-bit TIFF raw still images with FLIR-specified metadata.</li> </ul>

<b>Camera (Zenmuse X3)</b>	
Name	X3
Model	FC350
Total pixels	12.76 Mpixel
Effective pixels	12.4 Mpixel
Image max. size	4000 × 3000



# FLIR Aerial Commercial Building Inspector Kit, R (30 Hz)

P/N: 75604-1404

© 2016, FLIR Systems, Inc.

#75604-1404; r. /38391; en-US

<b>Camera (Zenmuse X3)</b>	
ISO range	<ul style="list-style-type: none"> <li>• 100–3200 (video)</li> <li>• 100–1600 (photo)</li> </ul>
Electronic shutter speed	8 s to 1/8000 s
FOV (field of view)	94°
CMOS	Sony EXMOR 1/2.3"
Lens	<ul style="list-style-type: none"> <li>• 20 mm (35 mm format equivalent) f/2.8 focus at ∞</li> <li>• 9 elements in 9 groups</li> <li>• Anti-distortion</li> </ul>
Still photography modes	<ul style="list-style-type: none"> <li>• Single shoot</li> <li>• Burst shooting: 3/5/7 frames</li> <li>• Auto exposure bracketing (AEB): 3/5 bracketed frames at 0.7 EV bias</li> <li>• Time-lapse</li> </ul>
Video recording modes	<ul style="list-style-type: none"> <li>• UHD (4K): 4096x2160p24/25, 3840x2160p24/25/30</li> <li>• FHD: 1920x1080p24/25/30/48/50/60</li> <li>• HD: 1280x720p24/25/30/48/50/60</li> </ul>
Max. bit rate of video storage	60 Mbps
Supported file formats	<ul style="list-style-type: none"> <li>• FAT32/exFAT</li> <li>• Photo: JPEG, DNG</li> <li>• Video: MP4/MOV (MPEG-4 AVC/H.264)</li> </ul>
Supported SD card types	<ul style="list-style-type: none"> <li>• Micro SD</li> <li>• Max. capacity: 64 GB. Class 10 or UHS-1 rating required.</li> </ul>
Operating temperature range	0 to +40°C (+32 to +104°F)
<b>Image processing and display controls</b>	
NTSC/PAL (field switchable)	Yes
Image optimization	Yes
Digital detail	Yes
<b>Enhancement</b>	
Polarity control (black hot/white hot)	Yes
Color and monochrome palettes (LUTs)	Yes
Digital zoom	2x, 4x, 8x
<b>Lens model</b>	
Focal length	13 mm
f number	f/1.25
FoV	45° × 37°
iFoV	1.308 mrad
Minimum focus distance	7.6 cm (3.0 in.)
Hyperfocal distance	4.4 m (14.4 ft.)
Hyperfocal depth of field	2.2 m (7.2 ft.)
<b>Environmental</b>	
Operating temperature range	-10 to +40°C (+14 to +104°F)
Non-operating temperature range	-30 to +70°C (-22 to +158°F)





# FLIR Aerial Commercial Building Inspector Kit, R (30 Hz)

P/N: 75604-1404

© 2016, FLIR Systems, Inc.

#75604-1404; r. /38391; en-US

<b>Environmental</b>	
Temperature shock	5°C/min (41°F/min)
Humidity	5–95%
<b>Certifications</b>	
Compliance	<a href="http://www.dji.com/euro-compliance">http://www.dji.com/euro-compliance</a>
<b>Remote controller</b>	
Name	C1
Operating frequency	<ul style="list-style-type: none"> <li>• 922.7–927.7 MHz (Japan only)</li> <li>• 5.725–5.825 GHz</li> <li>• 2.400–2.483 GHz</li> </ul>
Transmitting distance	<ul style="list-style-type: none"> <li>• Up to 5.0 km (3.1 miles) (unobstructed, free of interferences and FCC compliant) when it is FCC compliant</li> <li>• Up to 3.5 km (2.1 miles) (unobstructed, free of interferences) when it is CE compliant</li> </ul>
EIRP	<ul style="list-style-type: none"> <li>• 10 dBm @ 900 m</li> <li>• 13 dBm @ 5.8 G</li> <li>• 20 dBm @ 2.4 G</li> </ul>
Video output port	USB, Mini-HDMI
Power supply	Built-in battery
Charging	DJI charger
Dual-user capability	Host-and-slave connection
Mobile device holder	Tablet or smart phone
Output power	9 W
Operating temperature range	–10 to +40°C (+14 to +104°F)
Storage temperature range	<ul style="list-style-type: none"> <li>• Less than 3 months: –20 to +45°C (–4 to 113°F)</li> <li>• More than 3 months: 22–28°C (72–82°F)</li> </ul>
Charging temperature range	0–40°C (32–104°F)
Battery	6000 mA h LiPo 2S
<b>Charger</b>	
Model	A14-100P1A
Voltage	26.3 V
Rated power	100 W
<b>Battery (standard)</b>	
Name	Intelligent flight battery
Model	TB47
Capacity	4500 mA h
Voltage	22.2 V
Battery type	LiPo 6S high-voltage battery
Energy	99.9 W h
Net weight	570 g
Operating temperature range	–10 to +40°C (+14 to +104°F)
Storage temperature range	<ul style="list-style-type: none"> <li>• Less than 3 months: –20 to +45°C (–4 to 113°F)</li> <li>• More than 3 months: 22–28°C (72–82°F)</li> </ul>

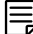


# FLIR Aerial Commercial Building Inspector Kit, R (30 Hz)

P/N: 75604-1404

© 2016, FLIR Systems, Inc.

#75604-1404; r. /38391; en-US

<b>Battery (standard)</b>	
Charging temperature range	0–40°C (32–104°F)
Maximum charging power	180 W
Maximum number of charging cycles	200
<b>Battery (optional)</b>	
Name	Intelligent flight battery
Model	TB48
Capacity	5700 mA h
Voltage	22.8 V
Battery type	LiPo 6S
Energy	129.96 W h
Net weight	670 g
Operating temperature range	–10 to +40°C (+14 to +104°F)
Storage temperature range	<ul style="list-style-type: none"> <li>• Less than 3 months: –20 to +45°C (–4 to 113°F)</li> <li>• More than 3 months: 22–28°C (72–82°F)</li> </ul>
Charging temperature range	0–40°C (32–104°F)
Maximum charging power	180 W
Maximum number of charging cycles	200
<b>Vision positioning</b>	
Velocity range	Below 8 m/s (26 ft./s) (2 m (6.6 ft.) above ground)
Altitude range	5–500 cm (2.0–200 in.)
Operating environment	Brightly lit (lux > 15) patterned surfaces
Operating range	0–300 cm (0–120 in.)
<b>DJI GO app</b>	
Mobile device system requirements	<ul style="list-style-type: none"> <li>• iOS version 7.1 or later</li> <li>• Android version 4.1.2 or later</li> </ul>
Supported mobile devices	<ul style="list-style-type: none"> <li>• iPhone 6 Plus</li> <li>• iPhone 6</li> <li>• iPhone 5S</li> <li>• iPad Air 2</li> <li>• iPad Mini 3</li> <li>• iPad Air</li> <li>• iPad Mini 2</li> <li>• iPad 4</li> <li>• Samsung Note 3</li> <li>• Samsung S5</li> <li>• Sony Z3 EXPERIA</li> </ul>
<div style="border: 1px solid black; padding: 5px;">  <b>NOTE</b>            It is recommended that you use a tablet for the best experience         </div>	
<b>Documentation and firmware</b>	
Download link	<a href="http://tinyurl.com/z8esgtc">http://tinyurl.com/z8esgtc</a>
<b>Warranty</b>	
Warranty	<a href="http://www.dji.com/service#warranty_period">http://www.dji.com/service#warranty_period</a>



# FLIR Aerial Commercial Building Inspector Kit, R (30 Hz)

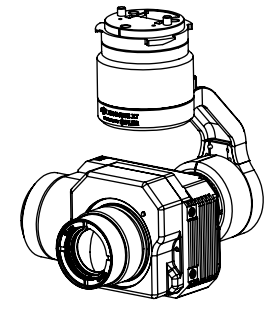
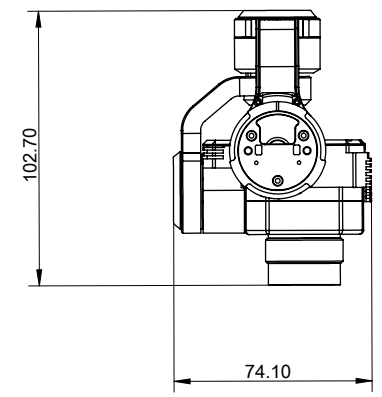
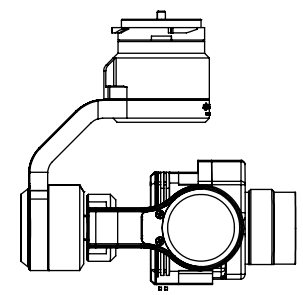
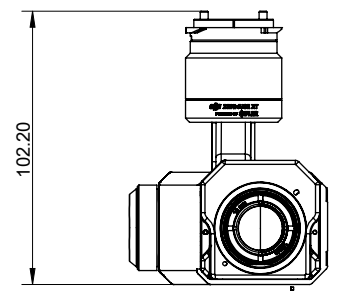
P/N: 75604-1404

© 2016, FLIR Systems, Inc.

#75604-1404; r. /38391; en-US

Global trade data	
HS Code	<ul style="list-style-type: none"><li>8802200015 (Inspire 1)</li><li>9032896085 (Zemuse XT)</li></ul>
ECCN code	6A003.b.4.b. (Zemuse XT)
Shipping information	
Packaging type	Cardboard box
List of contents	<ul style="list-style-type: none"><li>Inspire T600 aircraft</li><li>Zemuse XT thermal camera with stabilized gimbal</li><li>Zemuse X3 video camera with stabilized gimbal</li><li>Controller</li><li>Battery (x2)</li><li>FLIR Tools+</li><li>iPad Mini 4 (128 GB, Wi-Fi and cellular)</li><li>Monitor hood</li><li>Rugged carry case</li><li>Landing Pad</li></ul>

其余  $\sqrt{3.2}$

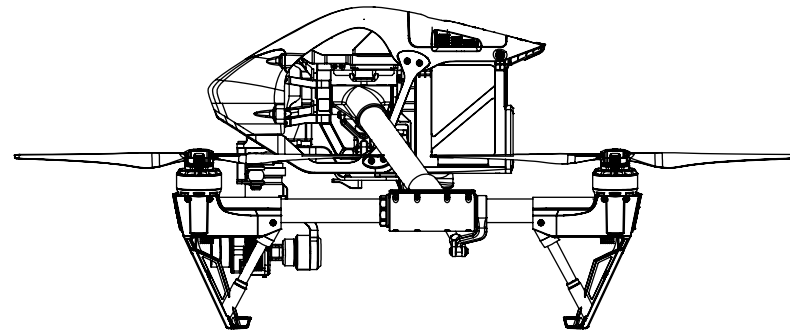
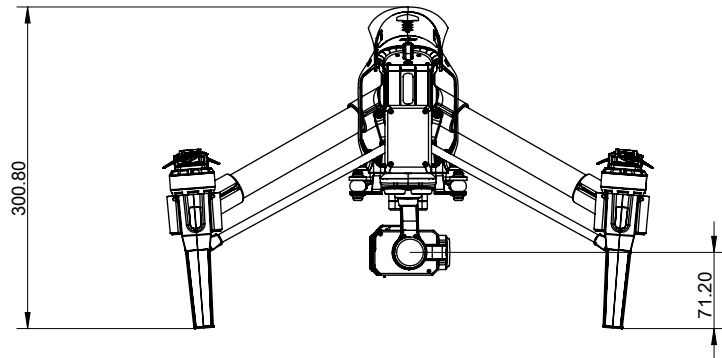


					材料：	物料名称：				
					材料供应商					
				2016/2/25	材料型号					
标记	版本	更改记录		签名	日期	颜色色号	物料代码：			
设计	M0041	2016/2/25		未注尺寸公差： X.XXX : ±0.03 X.XX : ±0.05 X.X : ±0.1	部品重量					
出图	M0041	2016/2/25			单位	比例	版本	页面		
审核					mm	1:2	A1	A3		
批准						深圳大疆创新科技有限公司		受控文件 授权接触		

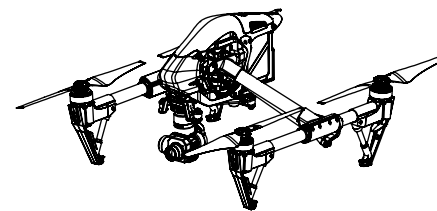
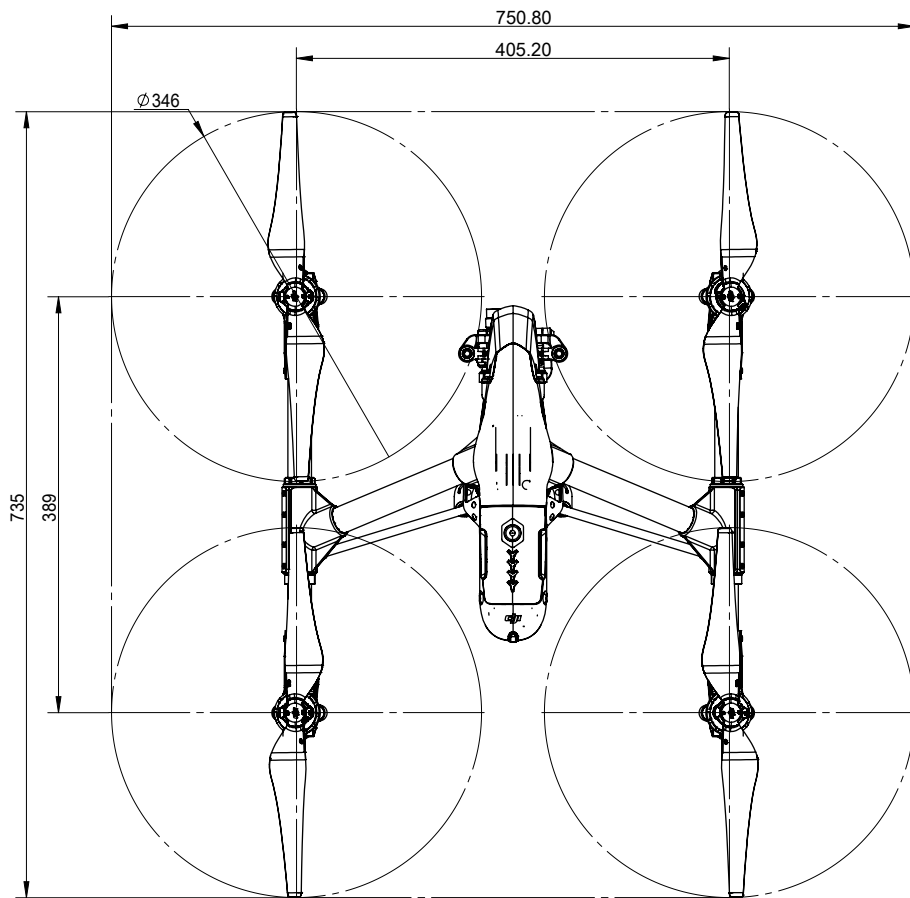


其余  $\sqrt{3.2}$

A



B



C

D

				材料：		物料名称：	
				材料供应商			
		2016/2/25		材料型号			
标记	版本	更改记录	签名	日期	颜色色号	物料代码：	
设计	M0041	2016/2/25			部品重量		
出图	M0041	2016/2/25			单位	比例	版本 页面
审核					mm	1:5	A1 A3
批准					深圳大疆创新科技有限公司		共 1 张 第 1 张
						受控文件 授权接触	

1

2

3

4