



Chipsmall Limited consists of a professional team with an average of over 10 year of expertise in the distribution of electronic components. Based in Hongkong, we have already established firm and mutual-benefit business relationships with customers from,Europe,America and south Asia,supplying obsolete and hard-to-find components to meet their specific needs.

With the principle of "Quality Parts,Customers Priority,Honest Operation,and Considerate Service",our business mainly focus on the distribution of electronic components. Line cards we deal with include Microchip,ALPS,ROHM,Xilinx,Pulse,ON,Everlight and Freescale. Main products comprise IC,Modules,Potentiometer,IC Socket,Relay,Connector.Our parts cover such applications as commercial,industrial, and automotives areas.

We are looking forward to setting up business relationship with you and hope to provide you with the best service and solution. Let us make a better world for our industry!



## Contact us

Tel: +86-755-8981 8866 Fax: +86-755-8427 6832

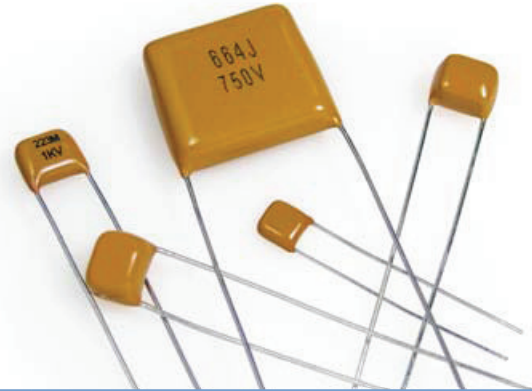
Email & Skype: info@chipsmall.com Web: www.chipsmall.com

Address: A1208, Overseas Decoration Building, #122 Zhenhua RD., Futian, Shenzhen, China



# Commercial Radial Lead 50V to 5kV

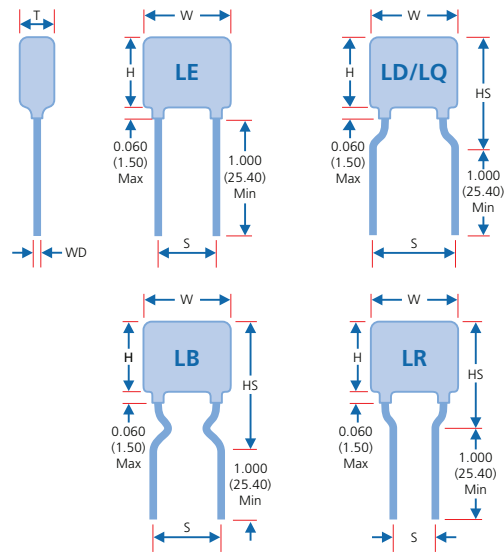
RoHS compliant interconnects, small case size, Radial Leaded Capacitors available in COG, X7R and X8R dielectrics. The conformal coating and lead mounting style provide a rugged configuration for optimum performance. Units exhibit high capacitance efficiency per KV rating and find application in commercial/industrial use up to 5kV, such as power supplies and voltage multiplier circuits. They are offered in bulk pack or taped form, Ref EIA-RS468, making them suitable for automatic insertion.



For dielectric characteristics see pages 4 & 6.  
 For capacitance tolerances available see page 26.  
 For ordering information see page 26.

## Dimensions - inches/mm

Lead Style	LE	LD	LR	LD	LQ	LD	LE	LB
Size	0805	0805	1206	1206	1206	1210	1812	2225
Wmax inches: mm:	0.150 3.81	0.150 3.81	0.200 5.08	0.200 5.08	0.200 5.08	0.200 5.08	0.300 7.62	0.350 8.89
Hmax inches: mm:	0.150 3.81	0.150 3.81	0.150 3.81	0.150 3.81	0.150 3.81	0.200 5.08	0.250 6.35	0.350 8.89
Tmax inches: mm:	0.100 2.54	0.100 2.54	0.125 3.18	0.125 3.18	0.125 3.18	0.175 4.45	0.200 5.08	0.200 5.08
HSmax inches: mm:	0.200 5.08	0.250 6.35	0.250 6.35	0.250 6.35	0.250 6.35	0.300 7.62	0.350 8.89	0.500 12.70
S inches ±0.02: mm ±0.51:	0.100 2.54	0.200 5.08	0.100 2.54	0.200 5.08	0.250 6.35	0.200 5.08	0.200 5.08	0.200 5.08
WD inches ±0.02: mm ±0.51:	0.020 0.51	0.020 0.51	0.020 0.51	0.020 0.51	0.020 0.51	0.020 0.51	0.025 0.64	0.025 0.64



## Capacitance and Voltage Selection

Size	0805			1206			1210			1812			2225		
Min cap.	100	121	121	100	121	221	100	121	331	101	151	221	101	471	102
	COG	X7R	X8R	COG	X7R	X8R	COG	X7R	X8R	COG	X7R	X8R	COG	X7R	X8R
50V	392	104	473	123	274	154	223	474	274	393	125	564	124	185	125
100V	392	683	333	103	184	104	183	334	184	273	824	394	823	155	105
250V	152	273	183	392	683	333	822	124	823	223	394	154	473	824	564
500V	821	123	562	182	223	153	472	563	393	123	154	563	273	334	154
1kV	471	272	•	102	682	•	222	153	•	822	473	•	153	104	•
2kV	•	•	•	391	102	•	821	222	•	272	682	•	392	153	•
3kV	•	•	•	•	•	•	•	•	•	122	272	•	182	562	•
4kV	•	•	•	•	•	•	•	•	•	821	122	•	102	152	•
5kV	•	•	•	•	•	•	•	•	•	•	•	•	561	102	•

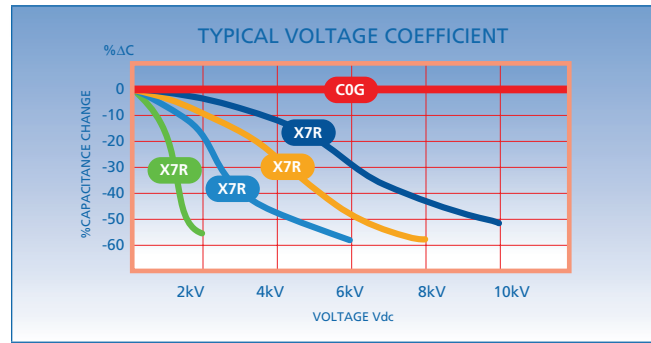
**Note:** Maximum capacitance values are shown above as 3 digit code: 2 significant figures followed by the no. of zeros e.g. 183 = 18,000pF. R denotes decimal e.g. 2R7 = 2.7pF.

# Commercial Radial Lead 500V to 10kV



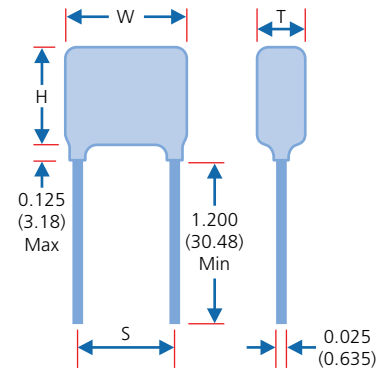
RoHS or Non RoHS Radial Leaded Capacitors available in COG and X7R dielectrics with high voltage ratings from 500V. The conformal coating and lead mounting style provide a rugged configuration for optimum performance. Units exhibit high capacitance efficiency per KV rating and find application in commercial/industrial use up to 10kV, such as power supplies and voltage multiplier circuits. They are also offered without the conformal coating for less harsh environmental applications.

- For dielectric characteristics see pages 4 & 6.
- For capacitance tolerances available see page 26.
- For ordering information see page 26.



## Dimensions - inches/mm

Lead Style	LE with conformal coating - LO without							
	Size	1515	2520	3530	4540	5550	6560	7565
<b>Wmax</b>	inches: mm:	0.250 6.35	0.400 10.20	0.500 12.70	0.600 15.20	0.700 17.80	0.800 20.30	0.900 22.80
<b>Hmax</b>	inches: mm:	0.250 6.35	0.350 8.89	0.450 11.40	0.550 14.00	0.650 16.50	0.750 19.00	0.850 21.60
<b>Tmax</b>	inches: mm:	0.200 5.08	0.250 6.35	0.350 8.89	0.400 10.20	0.400 10.20	0.400 10.20	0.400 10.20
<b>S</b>	inches ±0.02: mm ±0.51:	0.170 4.32	0.280 7.10	0.380 9.65	0.480 12.20	0.580 14.70	0.680 17.30	0.780 19.80



## Capacitance and Voltage Selection

Size	1515	2520	3530	4540	5550	6560	7565
<b>Min cap.</b>	100	151	390	102	390	102	390
	COG	X7R	COG	X7R	COG	X7R	COG
<b>500V</b>	822	154	393	684	683	105	124
<b>600V</b>	682	124	223	394	393	684	823
<b>800V</b>	682	823	183	274	333	394	683
<b>1kV</b>	562	563	123	184	273	334	563
<b>2kV</b>	272	822	562	273	153	683	333
<b>3kV</b>	122	332	272	123	103	273	223
<b>4kV</b>	681	122	152	472	562	153	123
<b>5kV</b>	•	•	102	272	332	103	822
<b>6kV</b>	•	•	•	•	182	562	392
<b>7kV</b>	•	•	•	•	122	472	272
<b>8kV</b>	•	•	•	•	102	332	222
<b>9kV</b>	•	•	•	•	•	272	182
<b>10kV</b>	•	•	•	•	•	182	152

**Note:** Maximum capacitance values are shown above as 3 digit code: 2 significant figures followed by the no. of zeros:  
e.g. 183 = 18,000pF.

# Radial Ordering Information

## How to Order - Radial Lead - Commercial & High Rel

0805	B	123	K	501	LE	H	A	R
<b>SIZE</b> See charts	<b>DIELECTRIC</b> N = COG B = X7R RN = COG RoHS 2013 ≤ 200V RB = X7R RoHS 2013 ≤ 200V S = X8R not RoHS compliant	<b>CAPACITANCE</b> Value in Picofarads. Two significant figures, followed by number of zeros: 123 = 12,000pF	<b>TOLERANCE</b> F = ±1%* G = ±2%* J = ± 5% K = ± 10% M = ± 20%	<b>VOLTAGE-VDCW</b> Two significant figures, followed by number of zeros: 501 = 500V	<b>LEAD STYLES</b> LE, LB, LD, LR, LQ* = Yellow conformal coated LO = without any coating	<b>HIGH RELIABILITY</b> Specify testing - see page 27	<b>PACKING</b> No suffix = Bulk A = Ammo pack 2K/pack T = Tape & Reel 4K/Reel	<b>RoHS</b> R = RoHS Compliant
			*COG parts only		* Product & Case size dependant			

## How to Order - Radial Lead - High Temperature

2520	E	563	K	501	LG	H	W	R
<b>SIZE</b> See charts	<b>DIELECTRIC</b> D = 200°C COG E = 200°C Class II	<b>CAPACITANCE</b> Value in Picofarads. Two significant figures, followed by number of zeros: 563 = 56,000pF	<b>TOLERANCE</b> F = ±1%* G = ±2%* J = ± 5% K = ± 10% M = ± 20%	<b>VOLTAGE-VDCW</b> Two significant figures, followed by number of zeros: 501 = 500V	<b>LEAD STYLES</b> LC = Encapsulated LG = Black Epoxy Coated LO = without any coating	<b>HIGH TEMP SCREENING</b> Novacap High Temperature screening procedure	<b>PACKING</b> No suffix = Bulk W = Waffle pack	<b>RoHS</b> R = RoHS Compliant Only available on ≥250V
			*COG parts only					

